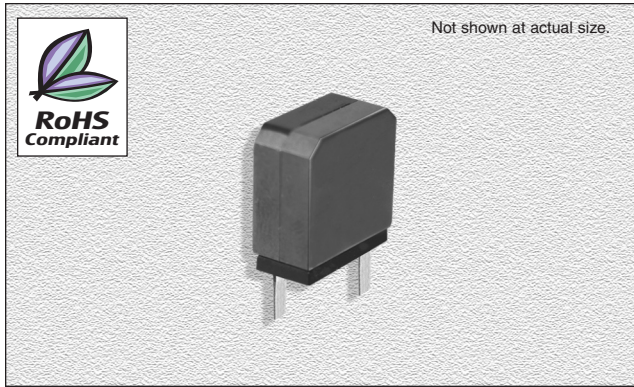


## CTDA14AF Series

From 10  $\mu\text{H}$  to 33  $\mu\text{H}$



### CHARACTERISTICS

**Description:** Inductor for digital amplifier LPF

**Applications:** Suitable as choke coil for digital amplifier. Audio, DVD 5.1ch home theater, AV amplifier, LCD, PDP. Usable as a choke coil for power supplies, etc.

**Features:** Compact and low-profile. Output 85W. Magnetically shielded structure and low DC resistance. High sound quality. Low electromagnetic interference. Low resistance and high current.

**Inductance Tolerance:**  $\pm 20\%$

**Testing:** Tested on a HP4284A at 1.0 KHz

**Packaging:** Bulk

**Marking:** Parts are marked with inductance code

**Miscellaneous:** **RoHS Compliant**

**Additional Information:** Additional electrical & physical information available upon request

**Samples available. See website for ordering information.**

### SPECIFICATIONS

Parts are available in  $\pm 20\%$  tolerance only.

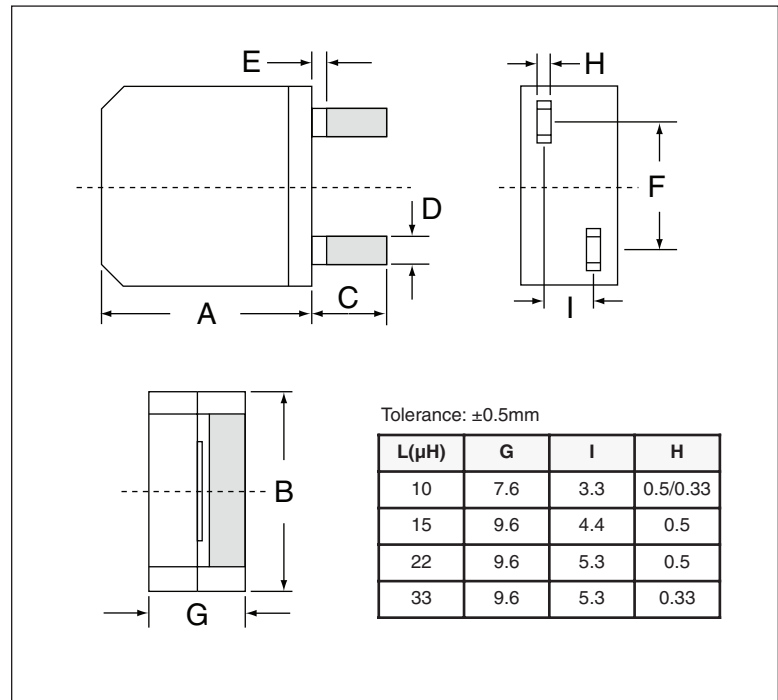
\* Rated DC Current: Inductance drift is within  $-25\%$  at the superposition

\*\* Allowable Current: A rise in temp. of surface core within  $40^\circ\text{C}$ .

Part Number	Inductance ( $\mu\text{H} \pm 20\%$ )	L Test Freq. (KHz)	DCR Max. (m $\Omega$ )	*Rated DC Current (A)	**Allowable DC Current (A)
CTDA14AF-100M	10	1.0	5.9	8.3	7.8
CTDA14AF-150M	15	1.0	8.3	7.5	7.3
CTDA14AF-220M	22	1.0	10.0	7.0	6.6
CTDA14AF-330M	33	1.0	17.5	6.1	5.1

### PHYSICAL DIMENSIONS

Size	A Max.	B	C	D	E Max.	F
mm	16.0	14.0 $\pm$ 0.5	5.0 $\pm$ 1.0	1.8 $\pm$ 0.5	1.0	9.2 $\pm$ 0.5
inches	0.63	0.55 $\pm$ 0.02	0.2 $\pm$ 0.039	0.071 $\pm$ 0.02	0.039	0.36 $\pm$ 0.02



06.29.07