

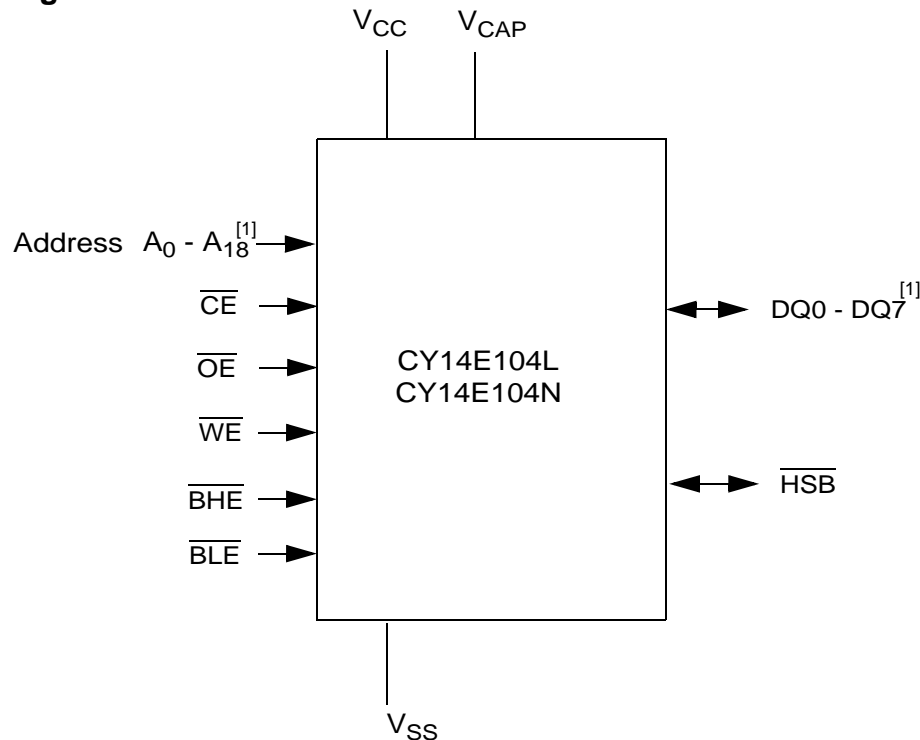
Features

- 15 ns, 20 ns, 25 ns, and 45 ns access times
- Internally organized as 512K x 8 (CY14E104L) or 256K x 16 (CY14E104N)
- Hands off automatic STORE on power down with only a small capacitor
- STORE to QuantumTrap[®] nonvolatile elements is initiated by software, device pin, or AutoStore[®] on power down
- RECALL to SRAM initiated by software or power up
- Infinite read, write, and recall cycles
- 200,000 STORE cycles to QuantumTrap
- 20 year data retention
- Single 5V $\pm 10\%$ operation
- Commercial and industrial temperatures
- 48-pin FBGA and 44/54-pin TSOP II packages
- Pb-free and RoHS compliance

Functional Description

The Cypress CY14E104L/CY14E104N is a fast static RAM with a nonvolatile element in each memory cell. The memory is organized as 512K words of 8 bits each or 256K words of 16 bits each. The embedded nonvolatile elements incorporate QuantumTrap technology producing the world's most reliable nonvolatile memory. The SRAM provides infinite read and write cycles, while independent nonvolatile data resides in the reliable QuantumTrap cell. Data transfers from the SRAM to the nonvolatile elements (the STORE operation) takes place automatically at power down. On power up, data is restored to the SRAM (the RECALL operation) from the nonvolatile memory. Both the STORE and RECALL operations are also available under software control.

Logic Block Diagram



Note

1. Address $A_0 - A_{18}$ and Data DQ0 - DQ7 for x8 configuration, Address $A_0 - A_{17}$ and Data DQ0 - DQ15 for x16 configuration.

Pinouts

Figure 1. Pin Diagram - 48 FBGA

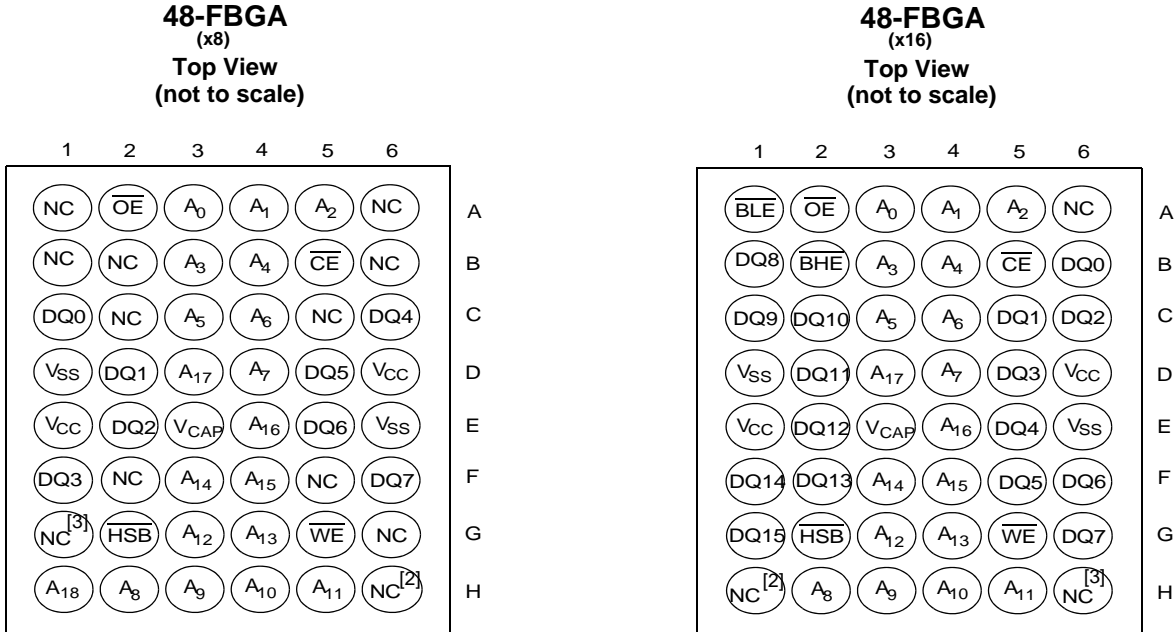
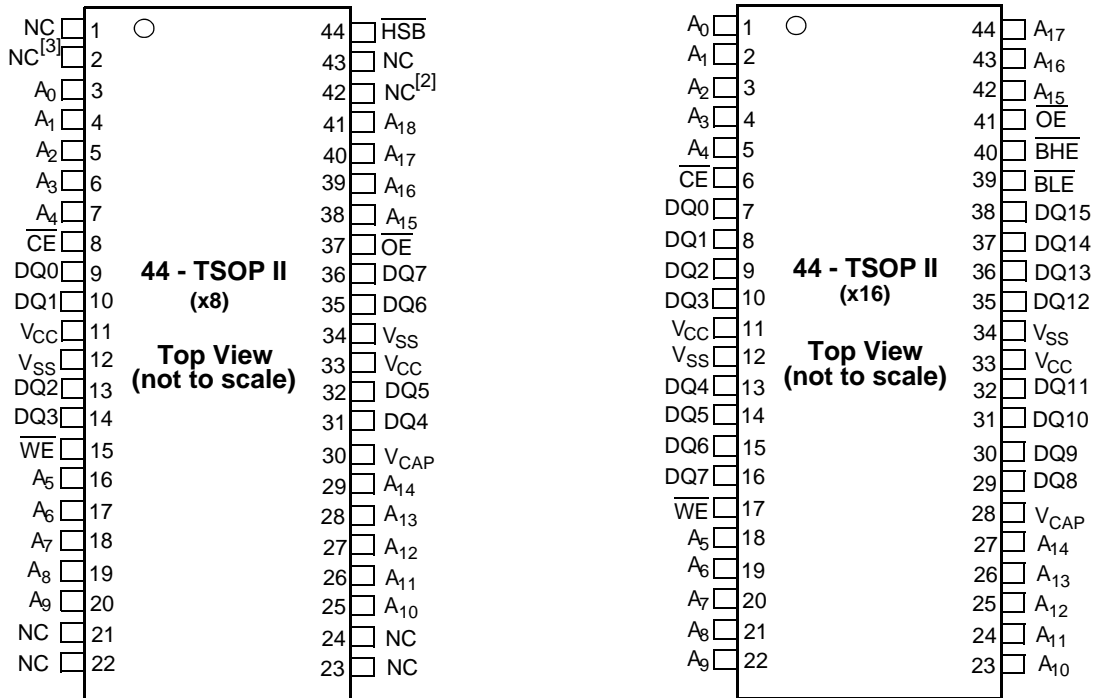


Figure 2. Pin Diagram - 44 TSOP II

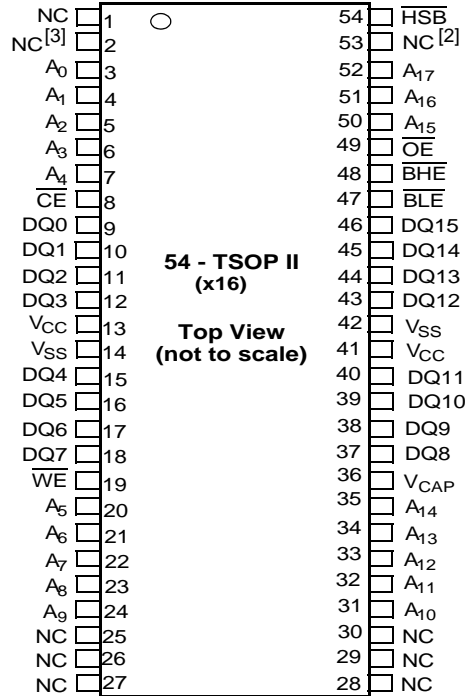


Notes

- 2. Address expansion for 8 Mbit. NC pin is not connected to the die.
- 3. Address expansion for 16 Mbit. NC pin is not connected to the die.

Pinouts (continued)

Figure 3. Pin Diagram - 54 TSOP II (x16)



Pin Definitions

Pin Name	IO Type	Description
A ₀ – A ₁₈	Input	Address Inputs Used to Select one of the 524, 288 bytes of the nvSRAM for x8 Configuration.
A ₀ – A ₁₇		Address Inputs Used to Select one of the 262,144 bytes of the nvSRAM for x16 Configuration.
DQ ₀ – DQ ₇	Input/Output	Bidirectional Data IO Lines for x8 Configuration. Used as input or output lines depending on operation.
DQ ₀ – DQ ₁₅		Bidirectional Data IO Lines for x16 Configuration. Used as input or output lines depending on operation.
NC	No Connect	No Connects. This pin is not connected to the die.
$\overline{\text{BHE}}$	Input	Byte High Enable, Active LOW. Controls DQ ₁₅ - DQ ₈ .
$\overline{\text{BLE}}$	Input	Byte Low Enable, Active LOW. Controls DQ ₇ - DQ ₀ .
$\overline{\text{WE}}$	Input	Write Enable Input, Active LOW. When selected LOW, data on the IO pins is written to the address location latched by the falling edge of CE.
$\overline{\text{CE}}$	Input	Chip Enable Input, Active LOW. When LOW, selects the chip. When HIGH, deselects the chip.
$\overline{\text{OE}}$	Input	Output Enable, Active LOW. The active LOW OE input enables the data output buffers during read cycles. IO pins are tri-stated on deasserting OE HIGH.
V _{SS}	Ground	Ground for the Device. Must be connected to ground of the system.
V _{CC}	Power Supply	Power Supply Inputs to the Device.
$\overline{\text{HSB}}$	Input/Output	Hardware Store Busy (HSB). When LOW this output indicates that a hardware store is in progress. When pulled LOW external to the chip it initiates a nonvolatile STORE operation. A weak internal pull up resistor keeps this pin HIGH if not connected (connection optional).
V _{CAP}	Power Supply	AutoStore Capacitor. Supplies power to the nvSRAM during power loss to store data from SRAM to nonvolatile elements.

Device Operation

The CY14E104L/CY14E104N nvSRAM is made up of two functional components paired in the same physical cell. They are an SRAM memory cell and a nonvolatile QuantumTrap cell. The SRAM memory cell operates as a standard fast static RAM. Data in the SRAM is transferred to the nonvolatile cell (the STORE operation), or from the nonvolatile cell to the SRAM (the RECALL operation). Using this unique architecture, all cells are stored and recalled in parallel. During the STORE and RECALL operations, the SRAM read and write operations are inhibited. The CY14E104L/CY14E104N supports infinite reads and writes similar to a typical SRAM. In addition, it provides infinite RECALL operations from the nonvolatile cells and up to 200K STORE operations.

SRAM Read

The CY14E104L/CY14E104N performs a read cycle when \overline{CE} and \overline{OE} are LOW and \overline{WE} and HSB are HIGH. The address specified on pins A_{0-18} or A_{0-17} determines which of the 524,288 data bytes or 262,144 words of 16 bits each are accessed. When the read is initiated by an address transition, the outputs are valid after a delay of t_{AA} (read cycle #1). If the read is initiated by \overline{CE} or \overline{OE} , the outputs are valid at t_{ACE} or at t_{DOE} , whichever is later (read cycle #2). The data output repeatedly responds to address changes within the t_{AA} access time without the need for transitions on any control input pins. This remains valid until another address change or until \overline{CE} or \overline{OE} is brought HIGH, or \overline{WE} or HSB is brought LOW.

SRAM Write

A write cycle is performed when \overline{CE} and \overline{WE} are LOW and HSB is HIGH. The address inputs must be stable before entering the write cycle and must remain stable until \overline{CE} or \overline{WE} goes HIGH at the end of the cycle. The data on the common IO pins DQ_{0-15} are written into the memory if the data is valid t_{SD} before the end of a \overline{WE} controlled write or before the end of an \overline{CE} controlled write. It is recommended that \overline{OE} be kept HIGH during the entire write cycle to avoid data bus contention on common IO lines. If \overline{OE} is left LOW, internal circuitry turns off the output buffers t_{HZWE} after \overline{WE} goes LOW.

AutoStore Operation

The CY14E104L/CY14E104N stores data to the nvSRAM using one of the following three storage operations: Hardware Store activated by HSB; Software Store activated by an address sequence; AutoStore activated on device power down. The AutoStore operation is a unique feature of QuantumTrap technology and is enabled by default on the CY14E104L/CY14E104N.

During a normal operation, the device draws current from V_{CC} to charge a capacitor connected to the V_{CAP} pin. This stored charge is used by the chip to perform a single STORE operation. If the voltage on the V_{CC} pin drops below V_{SWITCH} , which is below the minimum specified operating voltage, the part automatically disconnects the V_{CAP} pin from V_{CC} . A STORE operation is initiated with power provided by the V_{CAP} capacitor.

Figure 4. AutoStore Mode

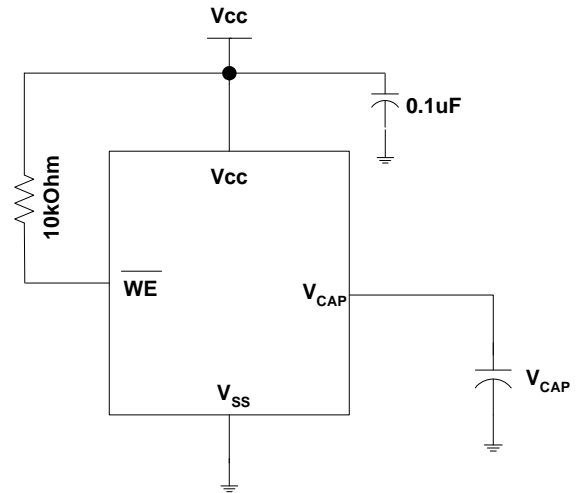


Figure 4 shows the proper connection of the storage capacitor (V_{CAP}) for automatic store operation. Refer to [DC Electrical Characteristics](#) on page 7 for the size of V_{CAP} .

To reduce unnecessary nonvolatile stores, AutoStore and hardware store operations are ignored unless at least one write operation has taken place since the most recent STORE or RECALL cycle. Software initiated STORE cycles are performed regardless of whether a write operation has taken place. The HSB signal is monitored by the system to detect if an AutoStore cycle is in progress.

Hardware STORE (HSB) Operation

The CY14E104L/CY14E104N provides the \overline{HSB} pin to control and acknowledge the STORE operations. The \overline{HSB} pin is used to request a hardware STORE cycle. When the \overline{HSB} pin is driven LOW, the CY14E104L/CY14E104N conditionally initiates a STORE operation after t_{DELAY} . An actual STORE cycle begins only if a write to the SRAM has taken place since the last STORE or RECALL cycle. The \overline{HSB} pin also acts as an open drain driver that is internally driven LOW to indicate a busy condition when the STORE (initiated by any means) is in progress.

SRAM read and write operations that are in progress when \overline{HSB} is driven LOW by any means are given time to complete before the STORE operation is initiated. After \overline{HSB} goes LOW, the CY14E104L/CY14E104N continues SRAM operations for t_{DELAY} . During t_{DELAY} , multiple SRAM read operations may take place. If a write is in progress when \overline{HSB} is pulled LOW it is allowed a time, t_{DELAY} , to complete. However, any SRAM write cycles requested after \overline{HSB} goes LOW are inhibited until \overline{HSB} returns HIGH.

During any STORE operation, regardless of how it is initiated, the CY14E104L/CY14E104N continues to drive the \overline{HSB} pin LOW, releasing it only when the STORE is complete. Upon completion of the STORE operation, the CY14E104L/CY14E104N remains disabled until the \overline{HSB} pin returns HIGH. Leave the \overline{HSB} unconnected if it is not used.

Hardware RECALL (Power Up)

During power up or after any low power condition ($V_{CC} < V_{SWITCH}$), an internal RECALL request is latched. When V_{CC} exceeds the sense voltage of V_{SWITCH} , a RECALL cycle is automatically initiated and takes $t_{HRECALL}$ to complete.

Software STORE

Data is transferred from the SRAM to the nonvolatile memory by a software address sequence. The CY14E104L/CY14E104N software STORE cycle is initiated by executing sequential \overline{CE} controlled read cycles from six specific address locations in exact order. During the STORE cycle an erase of the previous nonvolatile data is first performed, followed by a program of the nonvolatile elements. After a STORE cycle is initiated, further input and output are disabled until the cycle is completed.

Because a sequence of reads from specific addresses is used for STORE initiation, it is important that no other read or write accesses intervene in the sequence, or the sequence is aborted and no STORE or RECALL takes place.

To initiate the software STORE cycle, the following read sequence must be performed.

1. Read address 0x4E38 Valid READ
2. Read address 0xB1C7 Valid READ
3. Read address 0x83E0 Valid READ
4. Read address 0x7C1F Valid READ
5. Read address 0x703F Valid READ
6. Read address 0x8FC0 Initiate STORE cycle

The software sequence may be clocked with \overline{CE} controlled reads or \overline{OE} controlled reads. After the sixth address in the sequence is entered, the STORE cycle commences and the chip is disabled. It is important to use read cycles and not write cycles in the sequence, although it is not necessary that \overline{OE} be LOW for a valid sequence. After the t_{STORE} cycle time is fulfilled, the SRAM is activated again for a read and write operation.

Software RECALL

Data is transferred from the nonvolatile memory to the SRAM by a software address sequence. A software RECALL cycle is initiated with a sequence of read operations in a manner similar to the software STORE initiation. To initiate the RECALL cycle, the following sequence of \overline{CE} controlled read operations must be performed.

1. Read address 0x4E38 Valid READ
2. Read address 0xB1C7 Valid READ
3. Read address 0x83E0 Valid READ
4. Read address 0x7C1F Valid READ
5. Read address 0x703F Valid READ
6. Read address 0x4C63 Initiate RECALL cycle

Internally, RECALL is a two step procedure. First, the SRAM data is cleared; then, the nonvolatile information is transferred into the SRAM cells. After the t_{RECALL} cycle time, the SRAM is again ready for read and write operations. The RECALL operation does not alter the data in the nonvolatile elements.

Table 1. Mode Selection

\overline{CE}	\overline{WE}	\overline{OE}	A15 - A0	Mode	IO	Power
H	X	X	X	Not Selected	Output High Z	Standby
L	H	L	X	Read SRAM	Output Data	Active
L	L	X	X	Write SRAM	Input Data	Active
L	H	L	0x4E38 0xB1C7 0x83E0 0x7C1F 0x703F 0x8B45	Read SRAM Read SRAM Read SRAM Read SRAM Read SRAM AutoStore Disable	Output Data Output Data Output Data Output Data Output Data Output Data	Active ^[4,5,6]
L	H	L	0x4E38 0xB1C7 0x83E0 0x7C1F 0x703F 0x4B46	Read SRAM Read SRAM Read SRAM Read SRAM Read SRAM AutoStore Enable	Output Data Output Data Output Data Output Data Output Data Output Data	Active ^[4,5,6]

Notes

4. The six consecutive address locations must be in the order listed. \overline{WE} must be HIGH during all six cycles to enable a nonvolatile cycle.
5. While there are 19 address lines on the CY14E104L/CY14E104N, only the lower 16 lines are used to control software modes.
6. IO state depends on the state of \overline{OE} , BHE, and BLE. The IO table shown assumes \overline{OE} , BHE, and BLE LOW.

Table 1. Mode Selection (continued)

\overline{CE}	\overline{WE}	\overline{OE}	A15 - A0	Mode	IO	Power
L	H	L	0x4E38 0xB1C7 0x83E0 0x7C1F 0x703F 0x8FC0	Read SRAM Read SRAM Read SRAM Read SRAM Read SRAM Nonvolatile Store	Output Data Output Data Output Data Output Data Output Data Output High Z	Active I _{CC2} ^[4,5,6]
L	H	L	0x4E38 0xB1C7 0x83E0 0x7C1F 0x703F 0x4C63	Read SRAM Read SRAM Read SRAM Read SRAM Read SRAM Nonvolatile Recall	Output Data Output Data Output Data Output Data Output Data Output High Z	Active ^[4,5,6]

Preventing AutoStore

The AutoStore function is disabled by initiating an AutoStore disable sequence. A sequence of read operations is performed in a manner similar to the software STORE initiation. To initiate the AutoStore disable sequence, the following sequence of \overline{CE} controlled read operations must be performed:

1. Read address 0x4E38 Valid READ
2. Read address 0xB1C7 Valid READ
3. Read address 0x83E0 Valid READ
4. Read address 0x7C1F Valid READ
5. Read address 0x703F Valid READ
6. Read address 0x8B45 AutoStore Disable

The AutoStore is re-enabled by initiating an AutoStore enable sequence. A sequence of read operations is performed in a manner similar to the software RECALL initiation. To initiate the AutoStore enable sequence, the following sequence of \overline{CE} controlled read operations must be performed:

1. Read address 0x4E38 Valid READ
2. Read address 0xB1C7 Valid READ
3. Read address 0x83E0 Valid READ
4. Read address 0x7C1F Valid READ
5. Read address 0x703F Valid READ
6. Read address 0x4B46 AutoStore Enable

If the AutoStore function is disabled or re-enabled, a manual STORE operation (hardware or software) must be issued to save the AutoStore state through subsequent power down cycles. The part comes from the factory with AutoStore enabled.

Data Protection

The CY14E104L/CY14E104N protects data from corruption during low voltage conditions by inhibiting all externally initiated STORE and write operations. The low voltage condition is detected when $V_{CC} < V_{SWITCH}$. If the CY14E104L/ CY14E104N is in a write mode (both \overline{CE} and \overline{WE} are LOW) at power up, after a RECALL or STORE, the write is inhibited until a negative transition on \overline{CE} or \overline{WE} is detected. This protects against inadvertent writes during power up or brown out conditions.

Noise Considerations

Refer CY application note [AN1064](#).

Maximum Ratings

Exceeding maximum ratings may impair the useful life of the device. These user guidelines are not tested.

- Storage Temperature -65°C to +150°C
- Ambient Temperature with Power Applied -55°C to +150°C
- Supply Voltage on V_{CC} Relative to GND -0.5V to 7.0V
- Voltage Applied to Outputs in High-Z State -0.5V to V_{CC} + 0.5V
- Input Voltage -0.5V to V_{CC}+0.5V
- Transient Voltage (<20 ns) on Any Pin to Ground Potential -2.0V to V_{CC} + 2.0V

- Package Power Dissipation Capability (T_A = 25°C) 1.0W
- Surface Mount Pb Soldering Temperature (3 Seconds) +260°C
- Output Short Circuit Current ^[7] 15 mA
- Static Discharge Voltage > 2001V (per MIL-STD-883, Method 3015)
- Latch Up Current > 200 mA

Operating Range

Range	Ambient Temperature	V _{CC}
Commercial	0°C to +70°C	4.5V to 5.5V
Industrial	-40°C to +85°C	4.5V to 5.5V

DC Electrical Characteristics

Over the Operating Range (V_{CC} = 4.5V to 5.5V) ^[9]

Parameter	Description	Test Conditions	Min	Max	Unit
I _{CC1}	Average V _{CC} Current	t _{RC} = 15 ns t _{RC} = 20 ns t _{RC} = 25 ns t _{RC} = 45 ns Dependent on output loading and cycle rate. Values obtained without output loads. I _{OUT} = 0 mA	Commercial	70 65 65 50	mA mA mA mA
		Industrial	75 70 70 52	mA mA mA mA	
I _{CC2}	Average V _{CC} Current during STORE	All Inputs Don't Care, V _{CC} = Max. Average current for duration t _{STORE}		6	mA
I _{CC3} ^[8]	Average V _{CC} Current at t _{RC} = 200 ns, 5V, 25°C typical	WE > (V _{CC} - 0.2). All other I/P cycling. Dependent on output loading and cycle rate. Values obtained without output loads.		35	mA
I _{CC4}	Average V _{CAP} Current during AutoStore Cycle	All Inputs Don't Care, V _{CC} = Max. Average current for duration t _{STORE}		6	mA
I _{SB}	V _{CC} Standby Current	CE > (V _{CC} - 0.2). All others V _{IN} < 0.2V or > (V _{CC} - 0.2V). Standby current level after nonvolatile cycle is complete. Inputs are static. f = 0 MHz.		3	mA
I _{IX}	Input Leakage Current (except HSB)	V _{CC} = Max, V _{SS} ≤ V _{IN} ≤ V _{CC}	-1	+1	μA
	Input Leakage Current (for HSB)	V _{CC} = Max, V _{SS} ≤ V _{IN} ≤ V _{CC}	-100	+1	μA
I _{OZ}	Off-State Output Leakage Current	V _{CC} = Max., V _{SS} ≤ V _{IN} ≤ V _{CC} , CE or OE > V _{IH}	-1	+1	μA
V _{IH}	Input HIGH Voltage		2.2	V _{CC} + 0.5	V
V _{IL}	Input LOW Voltage		V _{SS} - 0.5	0.8	V
V _{OH}	Output HIGH Voltage	I _{OUT} = -2 mA	2.4		V
V _{OL}	Output LOW Voltage	I _{OUT} = 4 mA		0.4	V
V _{CAP}	Storage Capacitor	Between V _{CAP} pin and V _{SS} , 5V Rated	61	82	μF

Notes

- 7. Outputs shorted for no more than one second. Only one output shorted at a time.
- 8. Typical conditions for the active current shown on the front page of the data sheet are average values at 25°C (room temperature), and V_{CC} = 5V. Not 100% tested.
- 9. The HSB pin has I_{OUT} = -10 uA for V_{OH} of 2.4V. This parameter is characterized but not tested.

Capacitance

In the following table, the capacitance parameters are listed.^[10]

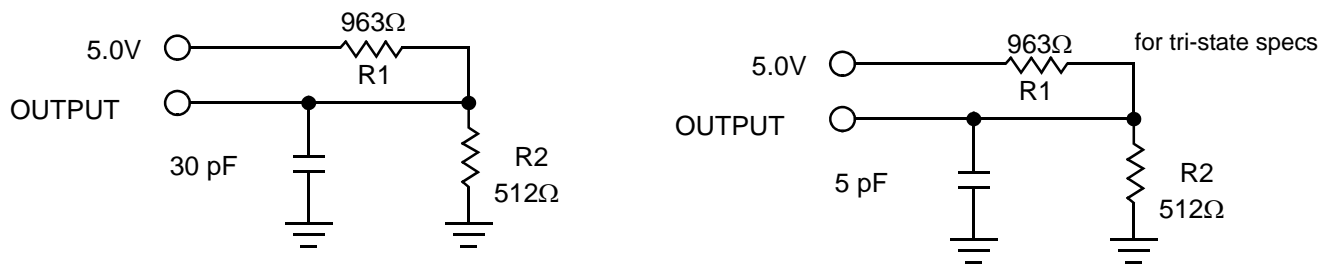
Parameter	Description	Test Conditions	Max	Unit
C _{IN}	Input Capacitance	T _A = 25°C, f = 1 MHz, V _{CC} = 0 to 3.0V	7	pF
C _{OUT}	Output Capacitance		7	pF

Thermal Resistance

In the following table, the thermal resistance parameters are listed.^[10]

Parameter	Description	Test Conditions	48-FBGA	44-TSOP II	54-TSOP II	Unit
θ _{JA}	Thermal Resistance (Junction to Ambient)	Test conditions follow standard test methods and procedures for measuring thermal impedance, in accordance with EIA/JESD51.	28.82	31.11	30.73	°C/W
θ _{JC}	Thermal Resistance (Junction to Case)		7.84	5.56	6.08	°C/W

Figure 5. AC Test Loads



AC Test Conditions

Input Pulse Levels0V to 3V
 Input Rise and Fall Times (10% - 90%) <5 ns
 Input and Output Timing Reference Levels 1.5V

AC Switching Characteristics

Parameters		Description	15 ns		20 ns		25 ns		45 ns		Unit
Cypress Parameters	Alt Parameters		Min	Max	Min	Max	Min	Max	Min	Max	
SRAM Read Cycle											
t _{ACE}	t _{ACS}	Chip Enable Access Time		15		20		25		45	ns
t _{RC} ^[11]	t _{RC}	Read Cycle Time	15		20		25		45		ns
t _{AA} ^[12]	t _{AA}	Address Access Time		15		20		25		45	ns
t _{DOE}	t _{OE}	Output Enable to Data Valid		10		10		12		20	ns
t _{OHA}	t _{OH}	Output Hold After Address Change	3		3		3		3		ns
t _{LZCE} ^[13]	t _{LZ}	Chip Enable to Output Active	3		3		3		3		ns
t _{HZCE} ^[13]	t _{HZ}	Chip Disable to Output Inactive		7		8		10		15	ns

Notes

- 10. These parameters are guaranteed but not tested.
- 11. WE must be HIGH during SRAM read cycles.
- 12. Device is continuously selected with CE and OE both LOW.
- 13. Measured ±200 mV from steady state output voltage.

AC Switching Characteristics (continued)

Parameters		Description	15 ns		20 ns		25 ns		45 ns		Unit
Cypress Parameters	Alt Parameters		Min	Max	Min	Max	Min	Max	Min	Max	
t _{LZOE} ^[13]	t _{OLZ}	Output Enable to Output Active	0		0		0			15	ns
t _{HZOE} ^[13]	t _{OHZ}	Output Disable to Output Inactive		7		8		10		15	ns
t _{PU} ^[10]	t _{PA}	Chip Enable to Power Active	0		0		0		0		ns
t _{PD} ^[10]	t _{PS}	Chip Disable to Power Standby		15		20		25		45	ns
t _{DBE}	-	Byte Enable to Data Valid		10		10		12		20	ns
t _{LZBE}	-	Byte Enable to Output Active	0		0		0		0		ns
t _{HZBE}	-	Byte Disable to Output Inactive		7		8		10		15	ns
SRAM Write Cycle											
t _{WC}	t _{WC}	Write Cycle Time	15		20		25		45		ns
t _{PWE}	t _{WP}	Write Pulse Width	10		15		20		30		ns
t _{SCE}	t _{CW}	Chip Enable To End of Write	15		15		20		30		ns
t _{SD}	t _{DW}	Data Setup to End of Write	5		8		10		15		ns
t _{HD}	t _{DH}	Data Hold After End of Write	0		0		0		0		ns
t _{AW}	t _{AW}	Address Setup to End of Write	10		15		20		30		ns
t _{SA}	t _{AS}	Address Setup to Start of Write	0		0		0		0		ns
t _{HA}	t _{WR}	Address Hold After End of Write	0		0		0		0		ns
t _{HZWE} ^[13,14]	t _{WZ}	Write Enable to Output Disable		7		8		10		15	ns
t _{LZWE} ^[13]	t _{OW}	Output Active after End of Write	3		3		3		3		ns
t _{BW}	-	Byte Enable to End of Write	15		15		20		30		ns

AutoStore/Power Up RECALL

Parameters	Description	CY14E104L/CY14E104N		Unit
		Min	Max	
t _{HRECALL} ^[15]	Power Up RECALL Duration		20	ms
t _{STORE} ^[16]	STORE Cycle Duration		15	ms
V _{SWITCH}	Low Voltage Trigger Level		4.4	V
t _{VCCRISE}	VCC Rise Time	150		μs

Notes

- 14. If WE is low when CE goes low, the outputs remain in the high impedance state.
- 15. t_{HRECALL} starts from the time V_{CC} rises above V_{SWITCH}.
- 16. If an SRAM write has not taken place since the last nonvolatile cycle, no STORE takes place.

Software Controlled STORE/RECALL Cycle

In the following table, the software controlled STORE/RECALL cycle parameters are listed. ^[17, 18]

Parameters	Description	15 ns		20 ns		25 ns		45 ns		Unit
		Min	Max	Min	Max	Min	Max	Min	Max	
t _{RC}	STORE/RECALL Initiation Cycle Time	15		20		25		45		ns
t _{AS}	Address Setup Time	0		0		0		0		ns
t _{CW}	Clock Pulse Width	12		15		20		30		ns
t _{GHAX}	Address Hold Time	1		1		1				ns
t _{RECALL}	RECALL Duration		200		200		200		200	μs
t _{SS} ^[19, 20]	Soft Sequence Processing Time		70		70		70		70	μs

Hardware STORE Cycle

Parameters	Description	CY14E104L/CY14E104N		Unit
		Min	Max	
t _{DELAY} ^[21]	Time Allowed to Complete SRAM Cycle	1	70	μs
t _{HLHX}	Hardware STORE Pulse Width	15		ns

Notes

- 17. The software sequence is clocked with \overline{CE} controlled or \overline{OE} controlled reads.
- 18. The six consecutive addresses must be read in the order listed in the [Table 1](#) on page 5. \overline{WE} must be HIGH during all six consecutive cycles.
- 19. This is the amount of time it takes to take action on a soft sequence command. Vcc power must remain HIGH to effectively register command.
- 20. Commands such as STORE and RECALL lock out IO until operation is complete which further increases this time. See the specific command.
- 21. On a hardware STORE initiation, SRAM operation continues to be enabled for time t_{DELAY} to allow read and write cycles to complete.

Switching Waveforms

Figure 6. SRAM Read Cycle #1: Address Controlled [11, 12, 22]

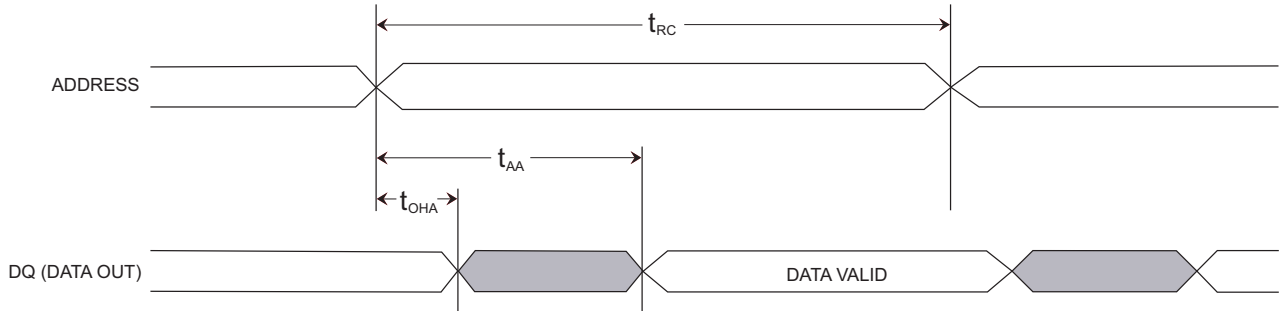
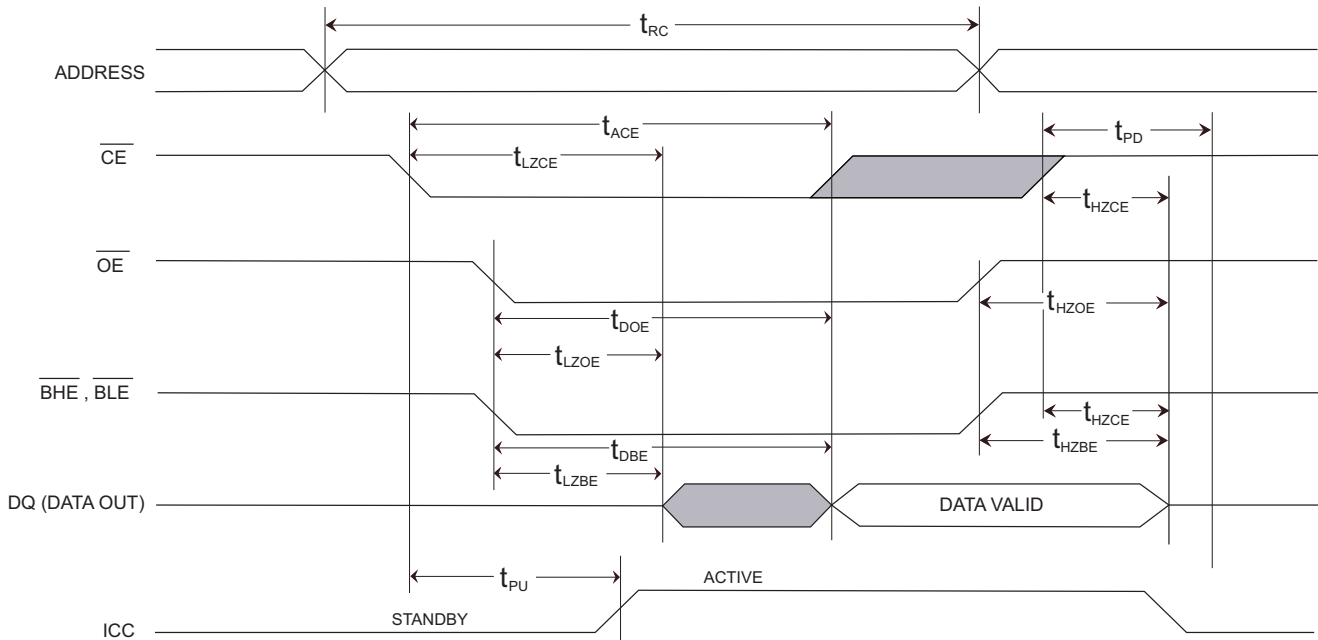


Figure 7. SRAM Read Cycle #2: \overline{CE} and \overline{OE} Controlled [11, 22, 23]



Notes

- 22. HSB must remain HIGH during read and write cycles.
- 23. BHE and BLE are applicable for x16 configuration only.

Switching Waveforms (continued)

Figure 8. SRAM Write Cycle #1: $\overline{\text{WE}}$ Controlled^[14, 22, 23, 24]

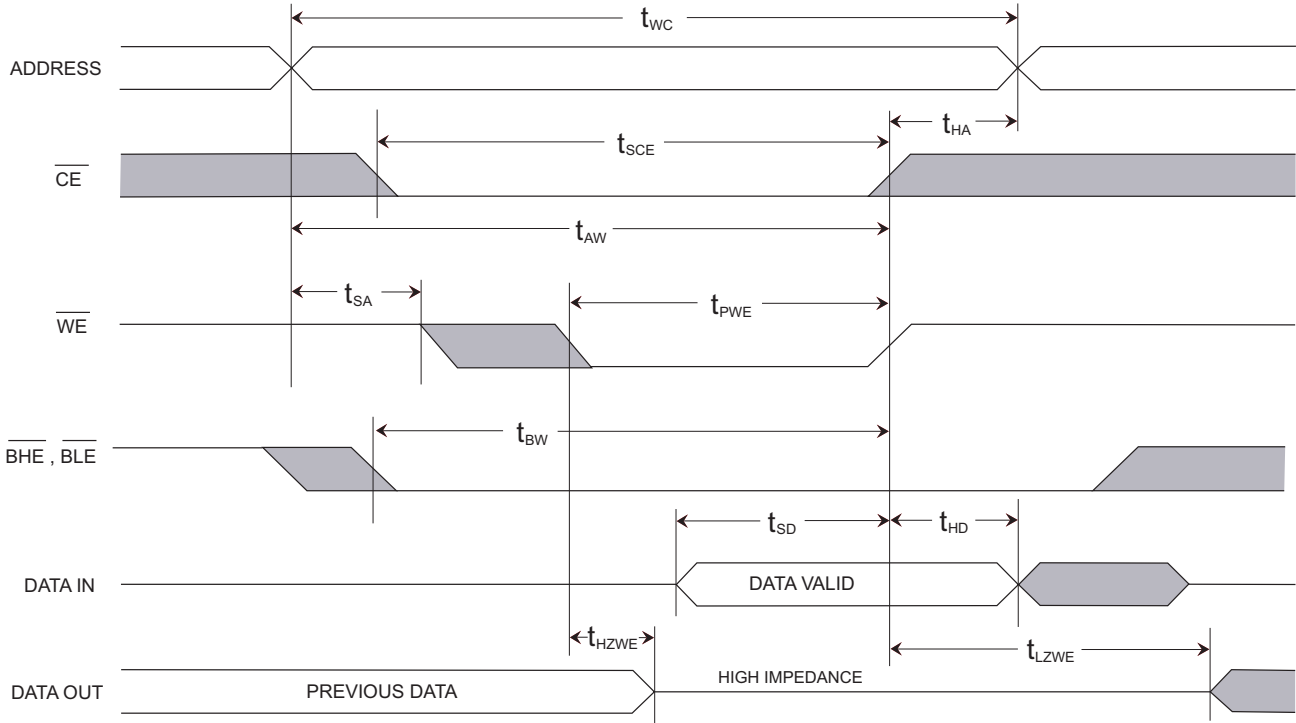
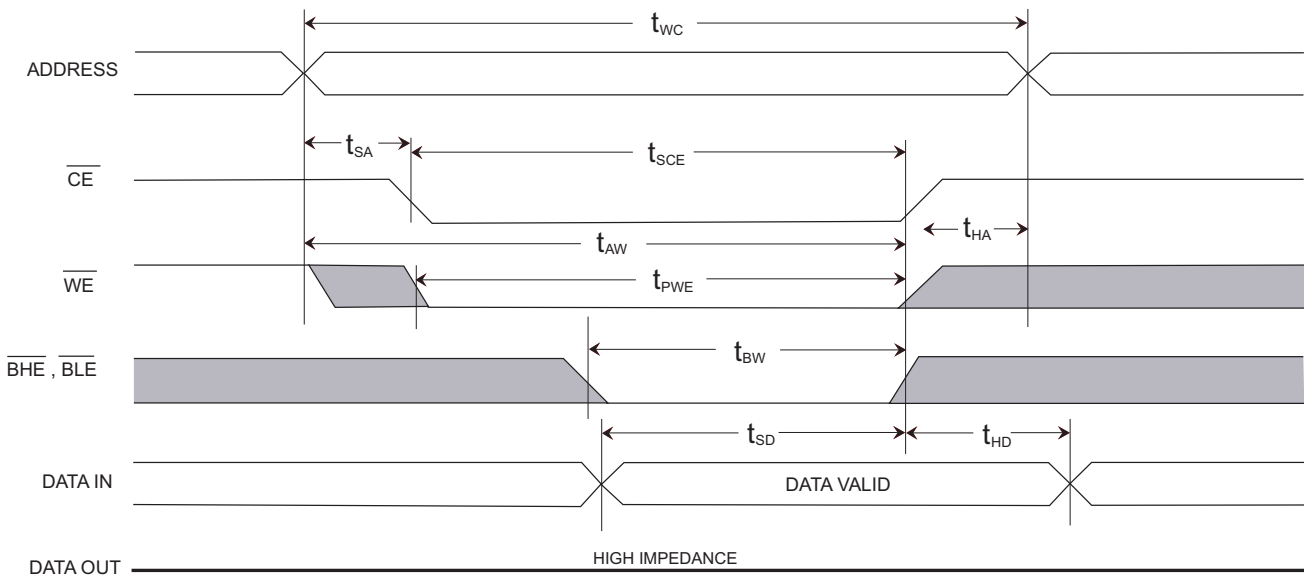


Figure 9. SRAM Write Cycle #2: $\overline{\text{CE}}$ Controlled^[14, 22, 23, 24]



Note
 24. $\overline{\text{CE}}$ or $\overline{\text{WE}}$ must be $\geq V_{IH}$ during address transitions.

Switching Waveforms (continued)

Figure 10. AutoStore/Power Up RECALL^[25]

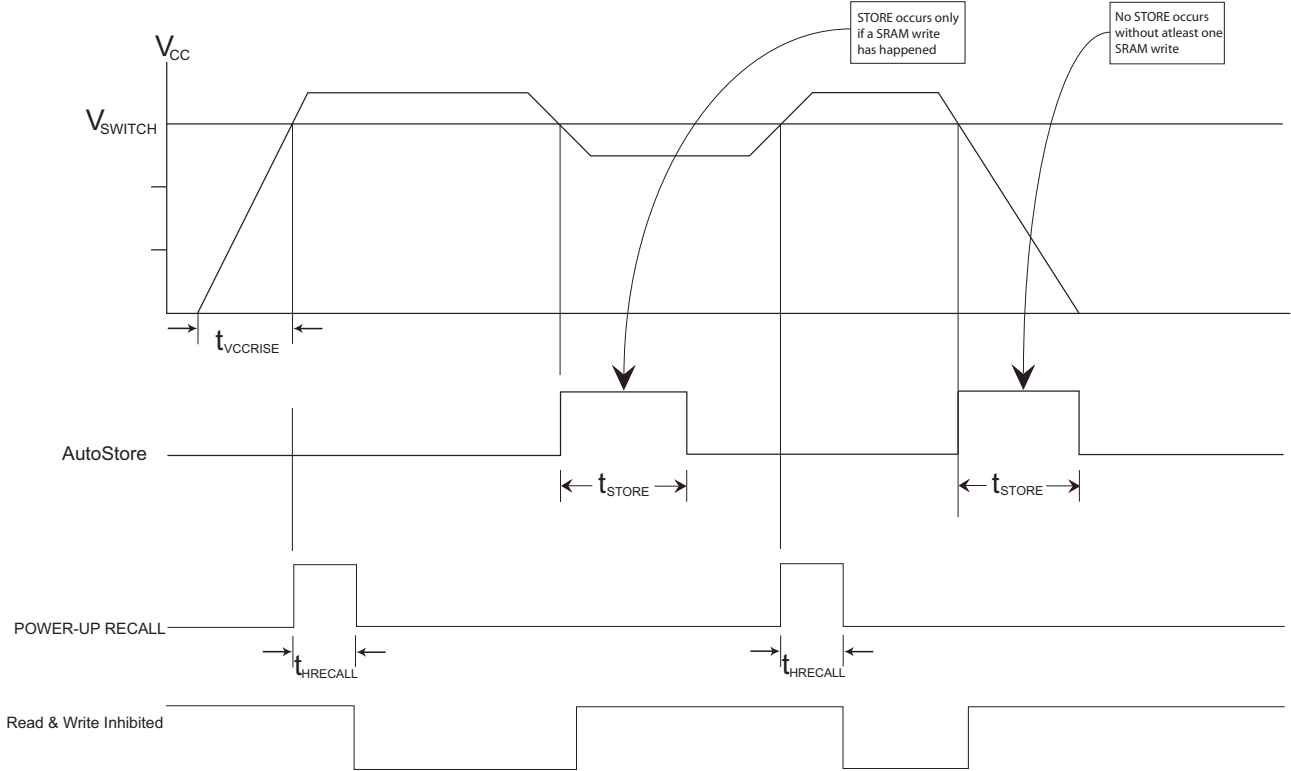
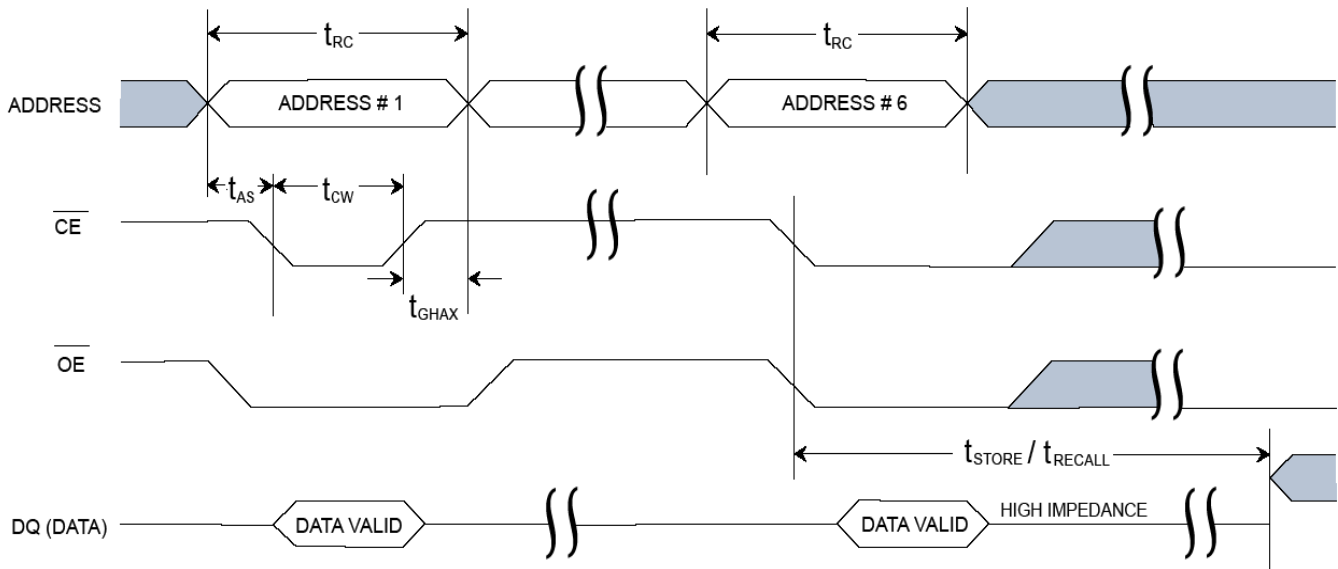


Figure 11. \overline{CE} Controlled Software STORE/RECALL Cycle^[18]



Note

25. Read and Write cycles are ignored during STORE, RECALL, and while VCC is below V_{SWITCH} .

Switching Waveforms (continued)

Figure 12. \overline{OE} Controlled Software STORE/RECALL Cycle^[18]

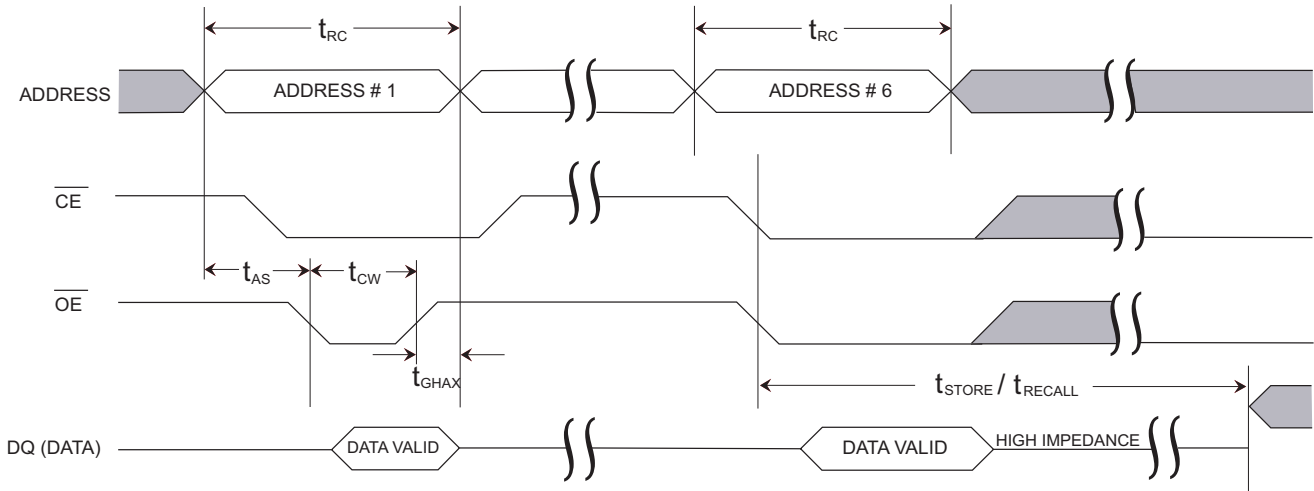


Figure 13. Hardware STORE Cycle^[21]

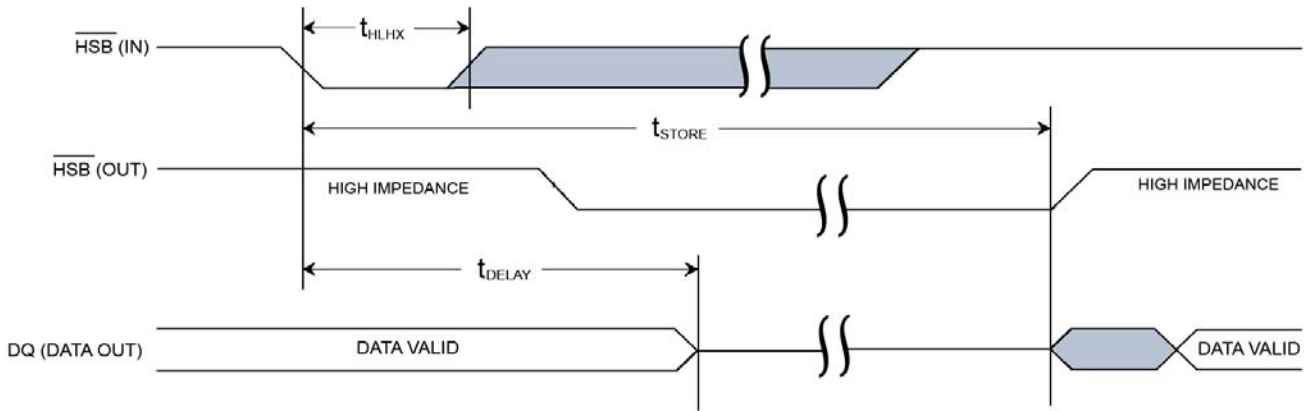
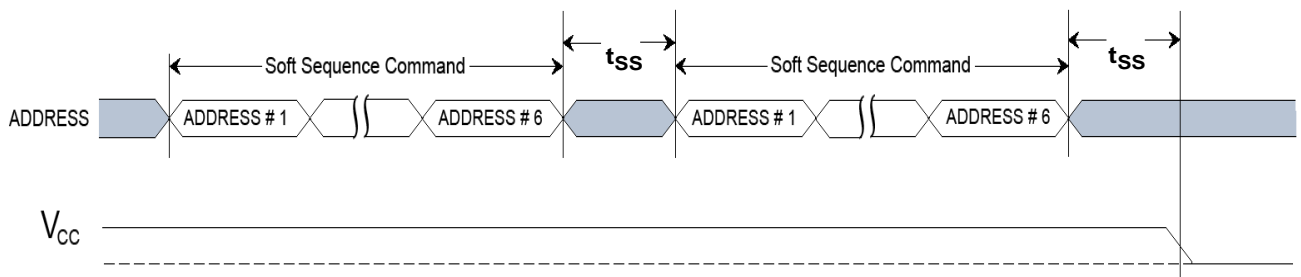
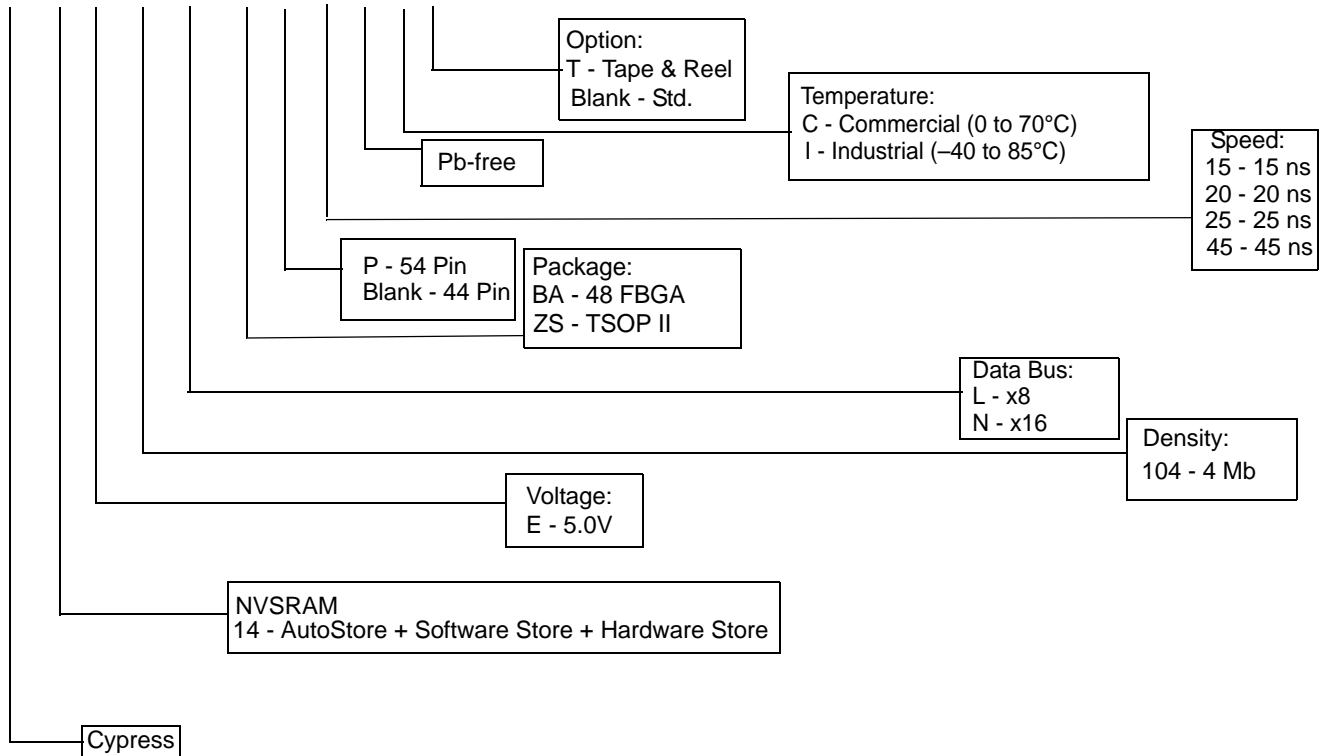


Figure 14. Soft Sequence Processing^[19, 20]



PART NUMBERING NOMENCLATURE

CY 14 E 104 L - ZS P 15 X C T



Ordering Information

Speed (ns)	Ordering Code	Package Diagram	Package Type	Operating Range
15	CY14E104L-ZS15XCT	51-85087	44-pin TSOP II	Commercial
	CY14E104L-ZS15XIT	51-85087	44-pin TSOP II	Industrial
	CY14E104L-ZS15XI	51-85087	44-pin TSOP II	
	CY14E104L-BA15XCT	51-85128	48-ball FBGA	Commercial
	CY14E104L-BA15XIT	51-85128	48-ball FBGA	Industrial
	CY14E104L-BA15XI	51-85128	48-ball FBGA	
	CY14E104L-ZSP15XCT	51-85160	54-pin TSOP II	Commercial
	CY14E104L-ZSP15XIT	51-85160	54-pin TSOP II	Industrial
	CY14E104L-ZSP15XI	51-85160	54-pin TSOP II	
	CY14E104N-ZS15XCT	51-85087	44-pin TSOP II	Commercial
	CY14E104N-ZS15XIT	51-85087	44-pin TSOP II	Industrial
	CY14E104N-ZS15XI	51-85087	44-pin TSOP II	
	CY14E104N-BA15XCT	51-85128	48-ball FBGA	Commercial
	CY14E104N-BA15XIT	51-85128	48-ball FBGA	Industrial
	CY14E104N-BA15XI	51-85128	48-ball FBGA	
	CY14E104N-ZSP15XCT	51-85160	54-pin TSOP II	Commercial
	CY14E104N-ZSP15XIT	51-85160	54-pin TSOP II	Industrial
	CY14E104N-ZSP15XI	51-85160	54-pin TSOP II	
20	CY14E104L-ZS20XCT	51-85087	44-pin TSOP II	Commercial
	CY14E104L-ZS20XIT	51-85087	44-pin TSOP II	Industrial
	CY14E104L-ZS20XI	51-85087	44-pin TSOP II	
	CY14E104L-BA20XCT	51-85128	48-ball FBGA	Commercial
	CY14E104L-BA20XIT	51-85128	48-ball FBGA	Industrial
	CY14E104L-BA20XI	51-85128	48-ball FBGA	
	CY14E104L-ZSP20XCT	51-85160	54-pin TSOP II	Commercial
	CY14E104L-ZSP20XIT	51-85160	54-pin TSOP II	Industrial
	CY14E104L-ZSP20XI	51-85160	54-pin TSOP II	
	CY14E104N-ZS20XCT	51-85087	44-pin TSOP II	Commercial
	CY14E104N-ZS20XIT	51-85087	44-pin TSOP II	Industrial
	CY14E104N-ZS20XI	51-85087	44-pin TSOP II	
	CY14E104N-BA20XCT	51-85128	48-ball FBGA	Commercial
	CY14E104N-BA20XIT	51-85128	48-ball FBGA	Industrial
	CY14E104N-BA20XI	51-85128	48-ball FBGA	
	CY14E104N-ZSP20XCT	51-85160	54-pin TSOP II	Commercial
	CY14E104N-ZSP20XIT	51-85160	54-pin TSOP II	Industrial
	CY14E104N-ZSP20XI	51-85160	54-pin TSOP II	

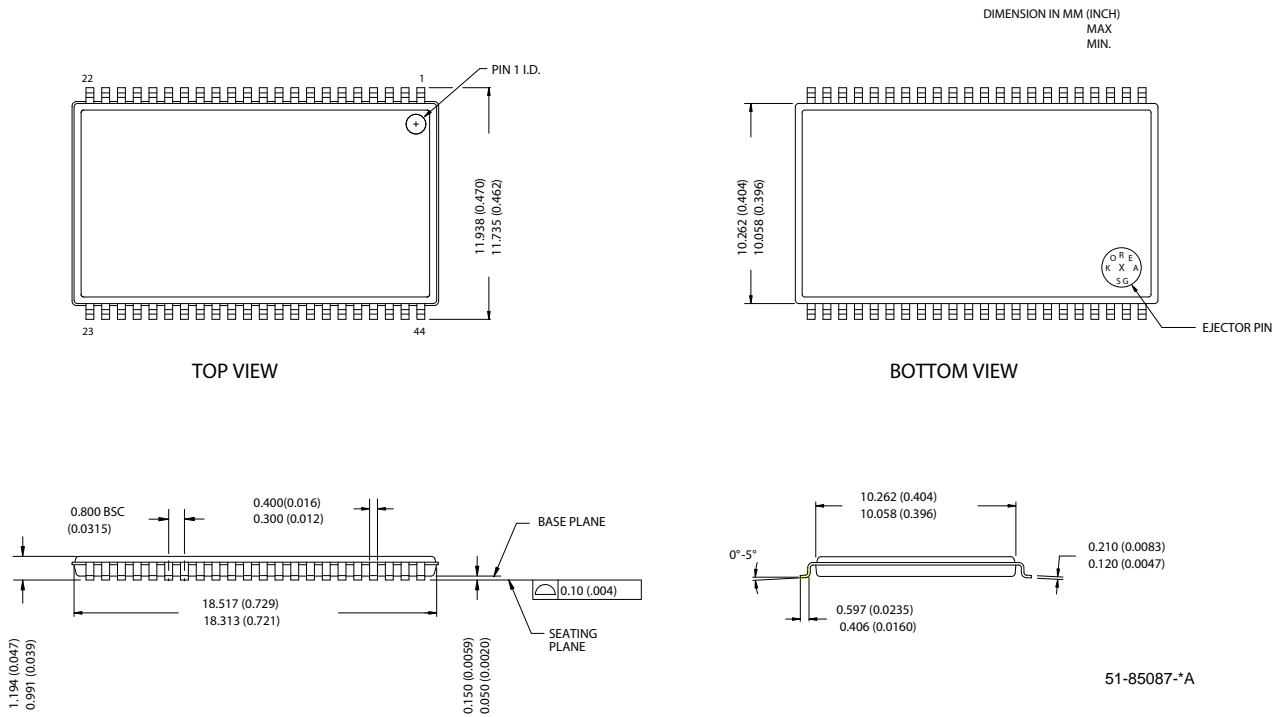
Ordering Information (continued)

Speed (ns)	Ordering Code	Package Diagram	Package Type	Operating Range
25	CY14E104L-ZS25XCT	51-85087	44-pin TSOP II	Commercial
	CY14E104L-ZS25XIT	51-85087	44-pin TSOP II	Industrial
	CY14E104L-ZS25XI	51-85087	44-pin TSOP II	
	CY14E104L-BA25XCT	51-85128	48-ball FBGA	Commercial
	CY14E104L-BA25XIT	51-85128	48-ball FBGA	Industrial
	CY14E104L-BA25XI	51-85128	48-ball FBGA	
	CY14E104L-ZSP25XCT	51-85160	54-pin TSOP II	Commercial
	CY14E104L-ZSP25XIT	51-85160	54-pin TSOP II	Industrial
	CY14E104L-ZSP25XI	51-85160	54-pin TSOP II	
	CY14E104N-ZS25XCT	51-85087	44-pin TSOP II	Commercial
	CY14E104N-ZS25XIT	51-85087	44-pin TSOP II	Industrial
	CY14E104N-ZS25XI	51-85087	44-pin TSOP II	
	CY14E104N-BA25XCT	51-85128	48-ball FBGA	Commercial
	CY14E104N-BA25XIT	51-85128	48-ball FBGA	Industrial
	CY14E104N-BA25XI	51-85128	48-ball FBGA	
	CY14E104N-ZSP25XCT	51-85160	54-pin TSOP II	Commercial
	CY14E104N-ZSP25XIT	51-85160	54-pin TSOP II	Industrial
	CY14E104N-ZSP25XI	51-85160	54-pin TSOP II	
45	CY14E104L-ZS45XCT	51-85087	44-pin TSOP II	Commercial
	CY14E104L-ZS45XIT	51-85087	44-pin TSOP II	Industrial
	CY14E104L-ZS45XI	51-85087	44-pin TSOP II	
	CY14E104L-BA45XCT	51-85128	48-ball FBGA	Commercial
	CY14E104L-BA45XIT	51-85128	48-ball FBGA	Industrial
	CY14E104L-BA45XI	51-85128	48-ball FBGA	
	CY14E104L-ZSP45XCT	51-85160	54-pin TSOP II	Commercial
	CY14E104L-ZSP45XIT	51-85160	54-pin TSOP II	Industrial
	CY14E104L-ZSP45XI	51-85160	54-pin TSOP II	
	CY14E104N-ZS45XCT	51-85087	44-pin TSOP II	Commercial
	CY14E104N-ZS45XIT	51-85087	44-pin TSOP II	Industrial
	CY14E104N-ZS45XI	51-85087	44-pin TSOP II	
	CY14E104N-BA45XCT	51-85128	48-ball FBGA	Commercial
	CY14E104N-BA45XIT	51-85128	48-ball FBGA	Industrial
	CY14E104N-BA45XI	51-85128	48-ball FBGA	
	CY14E104N-ZSP45XCT	51-85160	54-pin TSOP II	Commercial
	CY14E104N-ZSP45XIT	51-85160	54-pin TSOP II	Industrial
	CY14E104N-ZSP45XI	51-85160	54-pin TSOP II	

All parts are Pb-free. The above table contains Preliminary information. Please contact your local Cypress sales representative for availability of these parts.

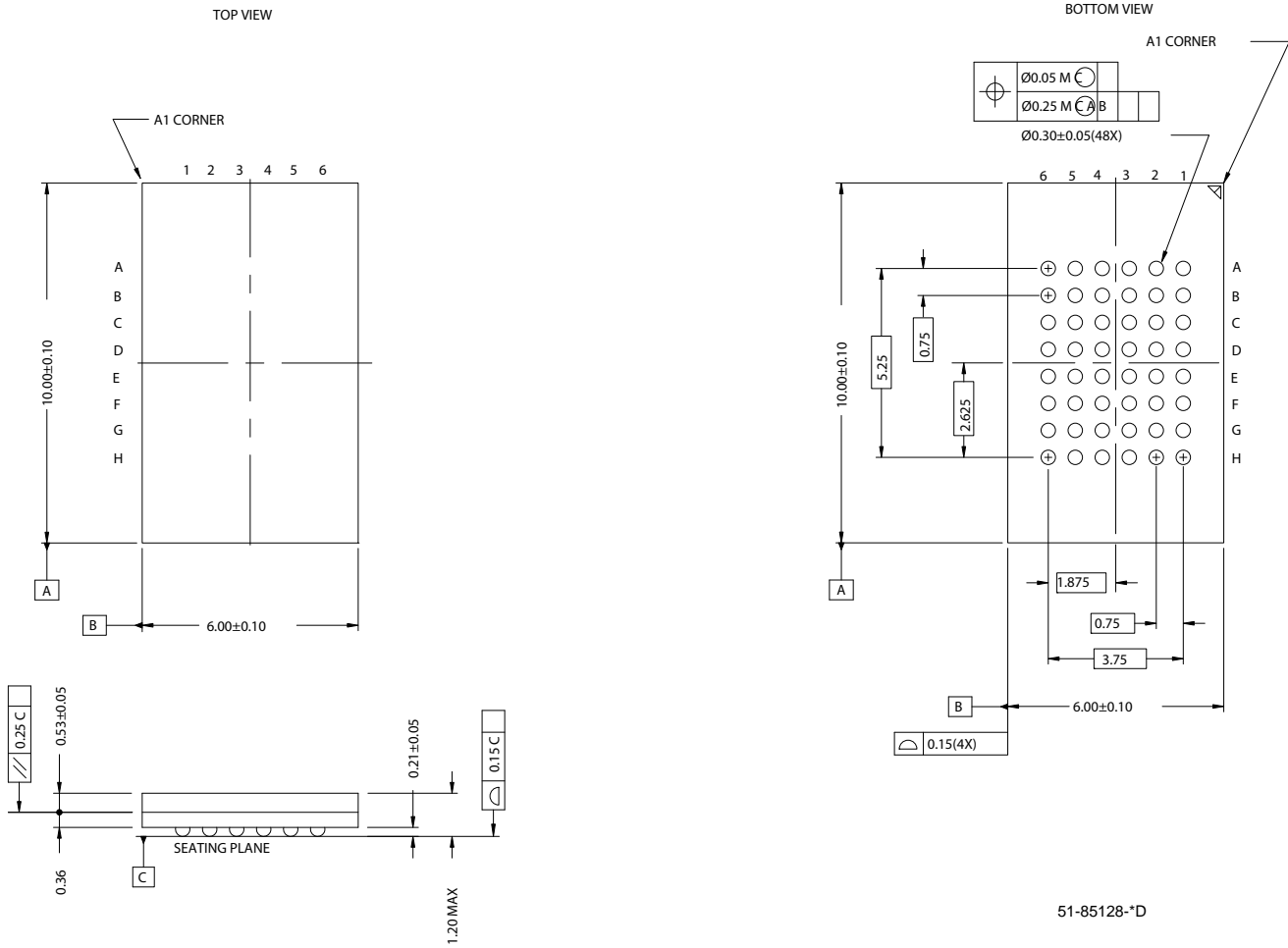
Package Diagrams

Figure 15. 44-Pin TSOP II (51-85087)



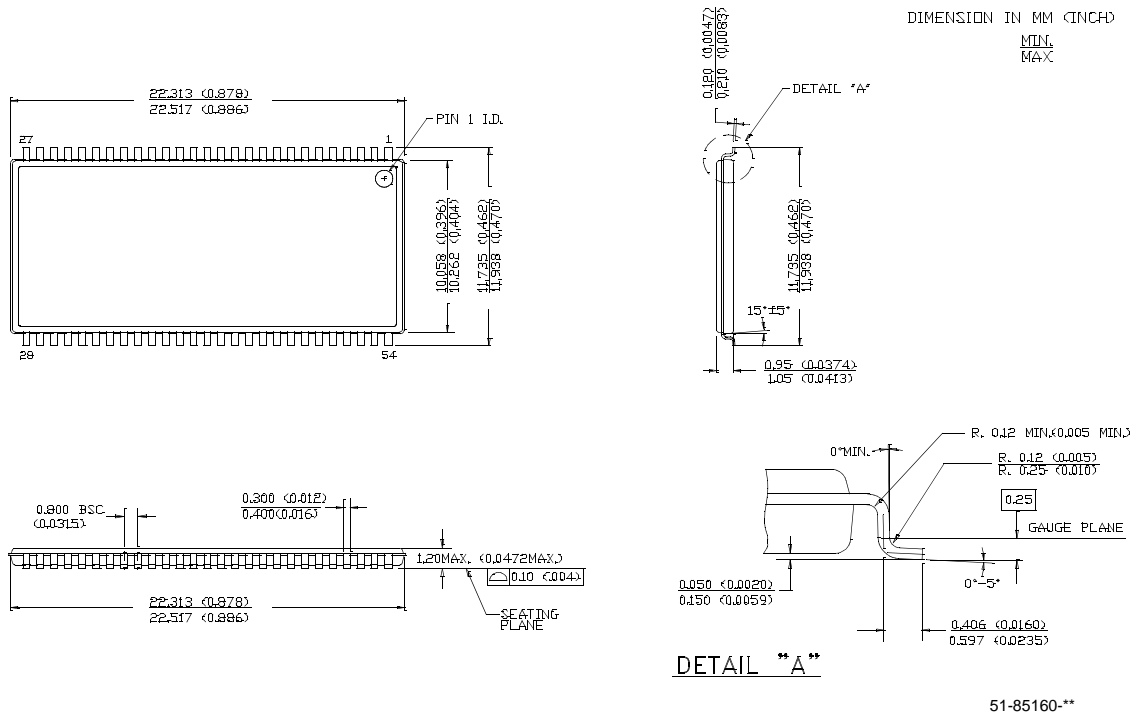
Package Diagrams (continued)

Figure 16. 48-Ball FBGA - 6 mm x 10 mm x 1.2 mm (51-85128)



Package Diagrams (continued)

Figure 17. 54-pin TSOP II (51-85160)



Document History Page

Document Title: CY14E104L/CY14E104N 4 Mbit (512K x 8/256K x 16) nvSRAM				
Document Number: 001-09603				
Rev.	ECN No.	Submission Date	Orig. of Change	Description of Change
**	493192	See ECN	TUP	New Data Sheet
*A	499597	See ECN	PCI	Removed 35 ns speed bin Added 55 ns speed bin. Updated AC table for the same Changed "Unlimited" read/write to "infinite" read/write Features section: Changed typical I _{CC} at 200-ns cycle time to 8 mA Changed STORE cycles from 500K to 200K cycles Shaded Commercial grade in operating range table Modified I _{cc} /I _{sb} specs Corrected V _{cc} from 3.0v to 5.5v in the Low Average Active Power description section 48 FBGA package nomenclature changed from BW to BV Modified part nomenclature table. Changes reflected in the ordering information table
*B	517928	See ECN	TUP	Removed 55ns speed bin Changed pinout for 44TSOPII and 54TSOPII Packages. Changed I _{SB} to 1mA Changed I _{CC4} to 3mA Changed V _{CAP} min to 35μF Changed t _{STORE} to 15ns Changed t _{PWE} to 10ns Changed t _{SCE} to 15ns Changed t _{SD} to 5ns Changed t _{AW} to 10ns Removed t _{HLBL} Added Timing Parameters for \overline{BHE} and \overline{BLE} - t _{DBE} , t _{LZBE} , t _{HZBE} , t _{BW} Removed min. specification for Vswitch Changed t _{GLAX} to 1ns Added t _{DELAY} max. of 70us Changed t _{SS} specification from 70us min. to 70us max.
*C	774157	See ECN	UHA	Changed the data sheet from Advance information to Preliminary 48 FBGA package code changed from BV to BA Removed 48 FBGA package in X8 configuration in ordering information. Changed t _{DBE} to 10ns in 15ns part Changed t _{HZBE} in 15ns part to 7ns and in 25ns part to 10ns Changed t _{BW} in 15ns part to 15ns and in 25ns part to 20ns Changed t _{GLAX} to t _{GHAX} Changed the value of I _{CC3} to 25mA Changed the value of t _{AW} in 15ns part to 15ns Changed A ₁₈ and A ₁₉ Pins in FBGA Pin Configuration to NC In AC test loads changed the value of R1 to 963Ω and R2 to 512Ω
*D	914280	See ECN	UHA	Included all the information for 45 ns part in this data sheet
*E	1890926	See ECN	vsutmp8/A ESA	Updated logic block diagram Updated Pin definition table Added Footnote 1, 2 and 3. Added 48-FBGA (X8) Pin Diagram Changed 8Mb Address expansion Pin from Pin 43 to Pin 42 for 44-TSOP II (x8) package. Corrected typo in V _{IL} min spec Changed Vswitch value from 2.65V to 4.4V Changed the value of I _{CC3} from 25mA to 13mA Changed I _{SB} value from 1mA to 2mA Updated ordering information table Rearranging of Footnotes.

Document Title: CY14E104L/CY14E104N 4 Mbit (512K x 8/256K x 16) nvSRAM				
Document Number: 001-09603				
Rev.	ECN No.	Submission Date	Orig. of Change	Description of Change
*F	2267286	See ECN	GVCH/PY RS	Updated Figure 4 (Autostore mode) Changed I _{CC2} & I _{CC4} from 3mA to 6mA. Changed I _{CC3} from 13mA to 15mA Changed I _{SB} from 2mA to 3mA Added input leakage current (I _{IX}) for HSB in DC Electrical Characteristics table Changed V _{cap} from 35uF min and 57uF max value to 54uF min and 82uF max value Corrected typo in t _{HZCE} and t _{HZOE} min spec and added max value 15ns for 45ns part Corrected typo in t _{PU} max spec and added min value 0ns for 45ns part Corrected typo in t _{AW} value from 15ns to 10ns for 15ns part Changed t _{RECALL} from 100us to 200us Added t _{RECALL} and t _{SS} max value for 45ns part in Software controlled STORE/ReCALL Cycle table Reframed footnote 6, 14 and 21. Added footnote 9 and 25 Added footnote 14 to figure 7 and footnote 14, 22 and 24 to figure 8
*G	2483627	See ECN	GVCH/PY RS	Removed 8 mA typical I _{CC} at 200 ns cycle time in Feature section Referenced footnote 8 to I _{CC3} in DC Characteristics table Changed I _{CC3} from 15 mA to 35 mA Changed V _{cap} minimum value from 54uF to 61uF. Changed t _{AVAV} to t _{RC} Figure 11: Changed t _{SA} to t _{AS} and t _{SCE} to t _{CW}
*H	2519319	06/20/08	GVCH/PY RS	Added 20 ns access speed in "Features" Added I _{CC1} for t _{RC} =20 ns for both industrial and Commercial temperature Grade Updated thermal resistance values for 48-FBGA, 44-TSOP II and 54-TSOP II packages Added AC Switching Characteristics specs for 20 ns access speed Added Software controlled STORE/RECALL cycle specs for 20 ns access speed Updated ordering information and Part numbering nomenclature

Sales, Solutions, and Legal Information

Worldwide Sales and Design Support

Cypress maintains a worldwide network of offices, solution centers, manufacturer's representatives, and distributors. To find the office closest to you, visit us at cypress.com/sales.

Products

PSoC	psoc.cypress.com
Clocks & Buffers	clocks.cypress.com
Wireless	wireless.cypress.com
Memories	memory.cypress.com
Image Sensors	image.cypress.com

PSoC Solutions

General	psoc.cypress.com/solutions
Low Power/Low Voltage	psoc.cypress.com/low-power
Precision Analog	psoc.cypress.com/precision-analog
LCD Drive	psoc.cypress.com/lcd-drive
CAN 2.0b	psoc.cypress.com/can
USB	psoc.cypress.com/usb

© Cypress Semiconductor Corporation, 2006-2008. The information contained herein is subject to change without notice. Cypress Semiconductor Corporation assumes no responsibility for the use of any circuitry other than circuitry embodied in a Cypress product. Nor does it convey or imply any license under patent or other rights. Cypress products are not warranted nor intended to be used for medical, life support, life saving, critical control or safety applications, unless pursuant to an express written agreement with Cypress. Furthermore, Cypress does not authorize its products for use as critical components in life-support systems where a malfunction or failure may reasonably be expected to result in significant injury to the user. The inclusion of Cypress products in life-support systems application implies that the manufacturer assumes all risk of such use and in doing so indemnifies Cypress against all charges.

Any Source Code (software and/or firmware) is owned by Cypress Semiconductor Corporation (Cypress) and is protected by and subject to worldwide patent protection (United States and foreign), United States copyright laws and international treaty provisions. Cypress hereby grants to licensee a personal, non-exclusive, non-transferable license to copy, use, modify, create derivative works of, and compile the Cypress Source Code and derivative works for the sole purpose of creating custom software and/or firmware in support of licensee product to be used only in conjunction with a Cypress integrated circuit as specified in the applicable agreement. Any reproduction, modification, translation, compilation, or representation of this Source Code except as specified above is prohibited without the express written permission of Cypress.

Disclaimer: CYPRESS MAKES NO WARRANTY OF ANY KIND, EXPRESS OR IMPLIED, WITH REGARD TO THIS MATERIAL, INCLUDING, BUT NOT LIMITED TO, THE IMPLIED WARRANTIES OF MERCHANTABILITY AND FITNESS FOR A PARTICULAR PURPOSE. Cypress reserves the right to make changes without further notice to the materials described herein. Cypress does not assume any liability arising out of the application or use of any product or circuit described herein. Cypress does not authorize its products for use as critical components in life-support systems where a malfunction or failure may reasonably be expected to result in significant injury to the user. The inclusion of Cypress' product in a life-support systems application implies that the manufacturer assumes all risk of such use and in doing so indemnifies Cypress against all charges.

Use may be limited by and subject to the applicable Cypress software license agreement.