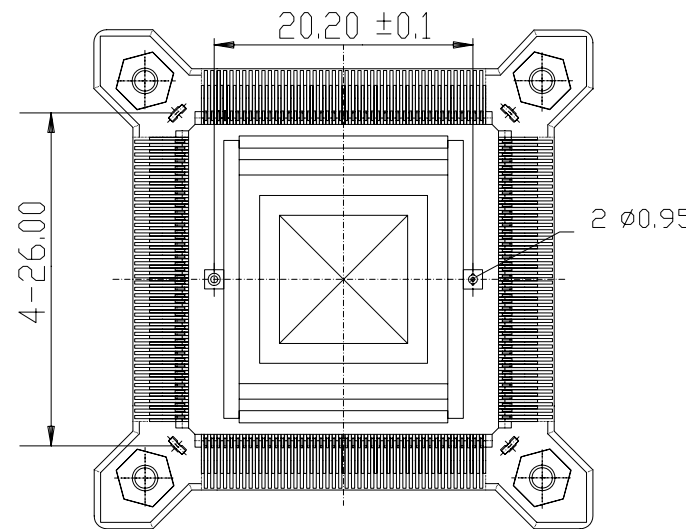
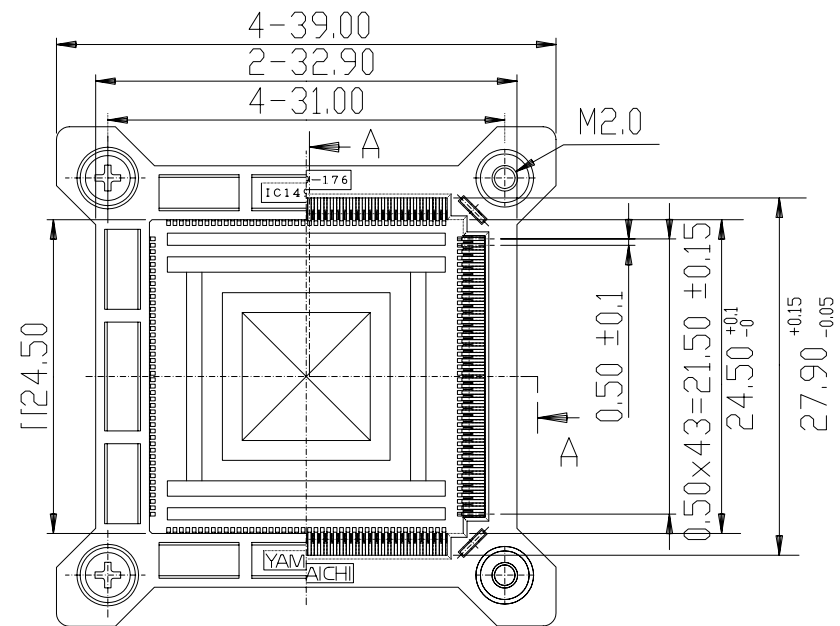


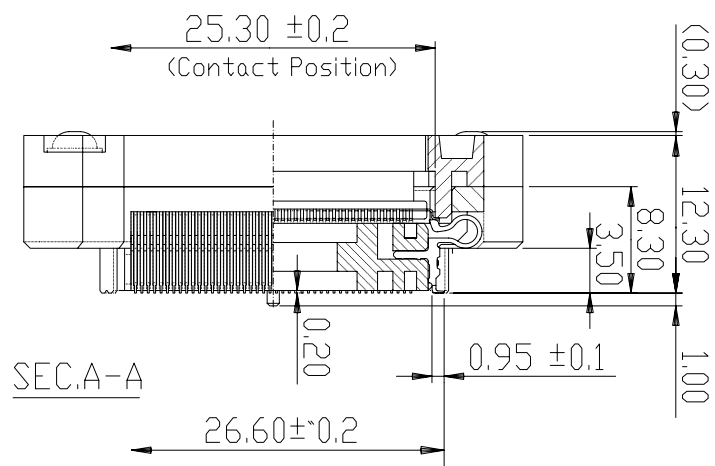
THE DRAWINGS AND INFORMATION CONTAINED HEREIN ARE THE EXCLUSIVE PROPERTY OF ACTEL.  
 THE INFORMATION, DRAWINGS AND DESIGN CONCEPTS CONTAINED HEREIN ARE CONFIDENTIAL/PROPRIETARY, SHALL  
 BE MAINTAINED IN STRICT CONFIDENCE, AND SHALL NOT BE RELEASED TO ANY THIRD PARTY WITHOUT THE EXPRESS  
 WRITTEN PERMISSION OF ACTEL.

ECN NO.	REV.	DESCRIPTION OF CHANGE	EFFECTIVE DATE	ORIGINATOR
2007356	0	Initial	06/15/2007	Lijie Zhao



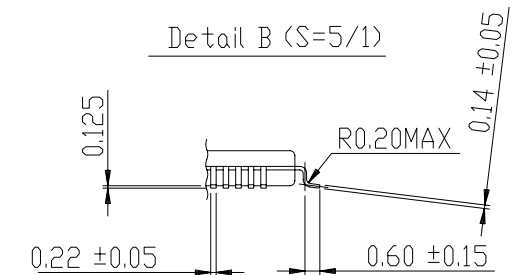
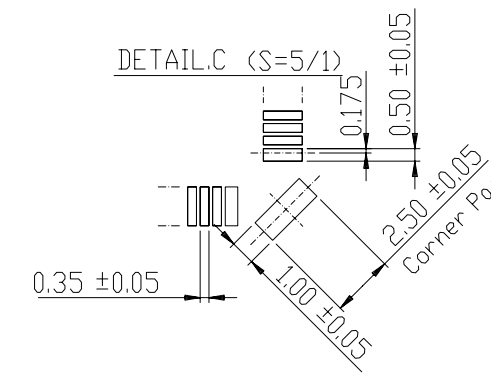
Recommended PCB Layout

Applicable IC Dimension



Notes:

- Controlling dimensions are in millimeters.
- Yamaichi socket number IC149-176-166-B5
- Make 2 holes on PCB when you use socket with the guide pin. Do not plate the inside of the holes.



UNLESS OTHERWISE SPECIFIED DIMENSIONS ARE IN MILLIMETERS DECIMAL                      ANGULAR X.X ± 0.10                      ± 1° X.XX ± 0.05 X.XXX ± 0.03	PROJECTION	ACTEL CORPORATION 2061 Stierlin Court Mountain View, CA 94043-4655		
	APPROVALS	DATE	TITLE	
	DRAWN Lijie Zhao	6/15/07	SY-TQG176, Yamaichi lead free prototype socket drawing for TQ176 and TQG176 packages	
	CHECKED		VENDOR NAME: Yamaichi	ACTEL DWG. NUMBER 1-07-11070
MATERIAL SEE NOTES	ENG'R	SIZE B	VENDOR SID(PART) NUMBER IC149-176-166-B5	VENDOR DWG. NUMBER N/A
FINISH SEE NOTES	RELEASED	Actel Part#:	SY-TQG176	SCALE: NONE
DO NOT SCALE DRAWING				SHEET 1 OF 1