

IPC-5120/7120

Compact Desktop/Wallmount Chassis with Front I/O Interfaces & Expansion Slots for MicroATX Motherboard

NEW



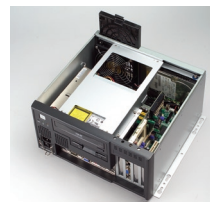
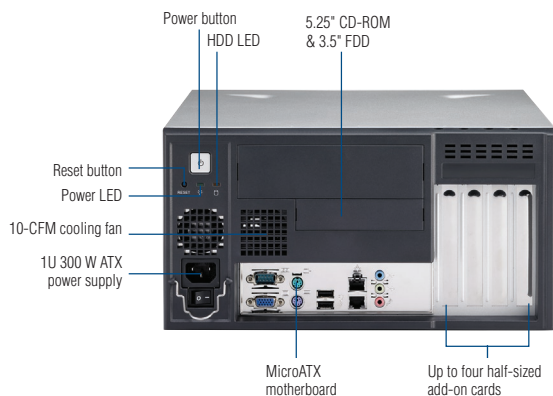
Features

- Streamlined in-chassis airflow design supporting LGA775 Pentium® 4 Processor with suggested CPU cooler
- All I/O interfaces are in the front
- Shock-resistant drive bay to hold one 5.25" and two 3.5" drives (one external & one internal)
- Supports up to four half-sized add-in cards in the front
- LED indicators for power status and HDD activity
- Equipped with 1U-high 300 W ATX/PFC power supply
- Easy-to-replace air filter

Specifications

Drive Bay	5.25"	Front-accessible	1	Internal	
	3.5"		1	1	
Cooling	Fan		1 (85 CFM) + 1 (10 CFM)		
	Air Filter		1 (133 x 112 mm)		
Miscellaneous	Control	Power on/off switch and system reset button			
	Indicators	Power status and HDD activity			
Environment		Operating	Non-Operating		
	Temperature	0 ~ 40° C (32 ~ 104° F)		-20 ~ 60° C (-4 ~ 140° F)	
	Humidity	10 ~ 85 % @ 40° C, non-condensing			10 ~ 95 % @ 40° C, non-condensing
	Vibration (5-500 Hz)	1 Grms		2 G	
	Shock	10 G (with 11 ms duration, half sine wave)		30 G	
	Altitude	0 to 3,048 m (0 ~ 10,000 ft)			
Physical Characteristics	Dimensions (W x H x D)	IPC-5120 320 x 164 x 316.5 mm (12.6" x 6.5" x 12.5")			
		IPC-7120: 380 x 164 x 316.5 mm (15" x 6.5" x 12.5")			
	Weight	IPC-5120: 8.0 kg (17.6 lb)			
		IPC-7120: 9.0 kg (19.8 lb)			

Front View of IPC-5120



Solid disk drive housing & easy-to-maintain fan filter



Shock-resistant drive bay for holding an internal 3.5" HDD



Plug ring-lock securely fastens the power cord

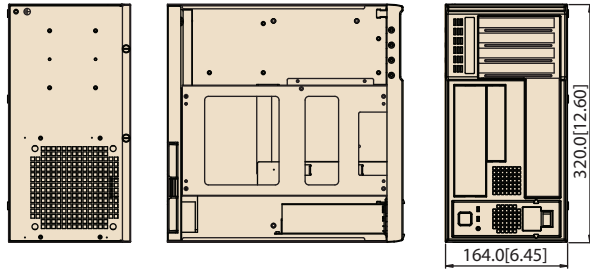


User-friendly mechanical design for installing an add-on card

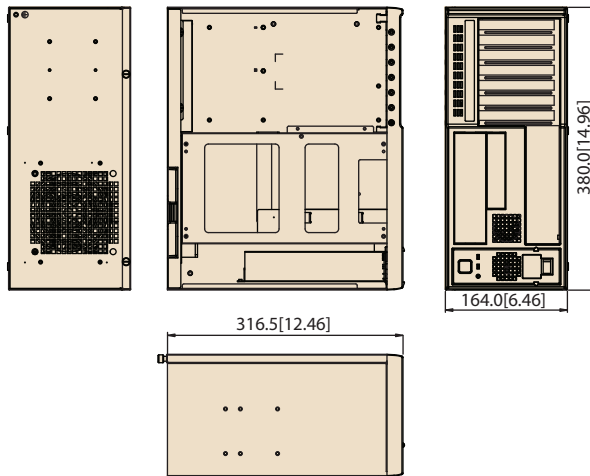
Dimensions

Unit: mm (inch)

IPC-5120



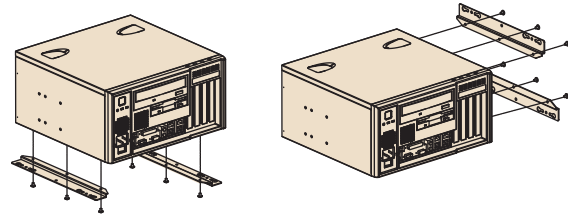
IPC-7120



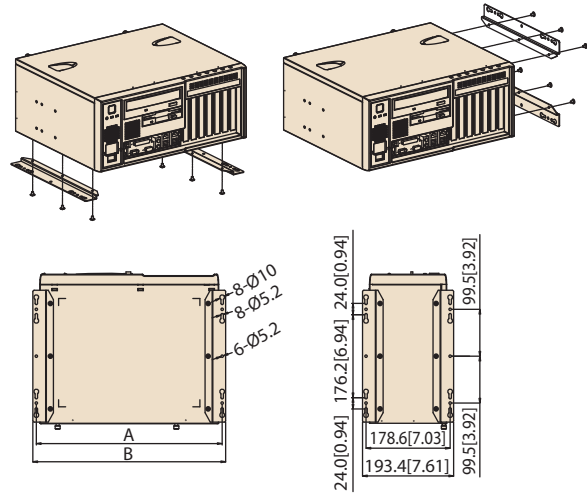
Installation

Unit: mm (inch)

IPC-5120



IPC-7120



	Dimension	
	IPC-5120	IPC-7120
A	334.6 [13.17]	334.6 [13.17]
B	350.0 [13.78]	410.0 [16.14]

Power Supply Options

Part Number	Watt	Input	Output	Specifications		
				Mini-load	Safety	MTBF
1757000557 (ATX, PFC)	250 W	AC 100 ~ 240 V (full-range)	+5 V @ 23 A, +3.3 V @ 14 A, +12 V @ 16 A, -5 V @ 0.2 A, -12 V @ 0.5 A, +5 Vsb @ 2 A	+5 V @ 3 A, +3.3 V @ 1 A, +12 V @ 2 A, -12 V @ 0.1 A, +5 Vsb @ 0.1 A	UL/TUV/CB/CCC	100,000 hrs @ 25° C
1757000229G (ATX, PFC)	300 W	AC 100 ~ 240 V (full-range)	+5 V @ 25 A, +3.3 V @ 14 A, +12 V @ 16 A, -5 V @ 0.5 A, -12 V @ 1.0 A, +5 Vsb @ 2 A	+5 V @ 3 A, +3.3 V @ 1.0 A, +12 V @ 2 A, -5 V @ 0.05 A, -12 V @ 0.05 A, +5 Vsb @ 0.1 A	UL/TUV/CB/CCC	100,000 hrs @ 25° C

Accessories

Part Number	Description
96CD-52X-I-AS-B3	Black 5.25" 52X CD-ROM
96DVR-40X-I-AS-B	Black 5.25" 16X/40X/24X DVDRW-ROM
96FDD-144-TE-B1	Black 3.5" FDD

Ordering Information

Part Number	Power Supply	Motherboard	Regulation
IPC-5120-25ZBE	1757000557	Not included	CE
IPC-5120-30ZBE	1757000229G	Not included	CE
IPC-7120-25ZBE	1757000557	Not included	CE
IPC-7120-30ZBE	1757000229G	Not included	CE