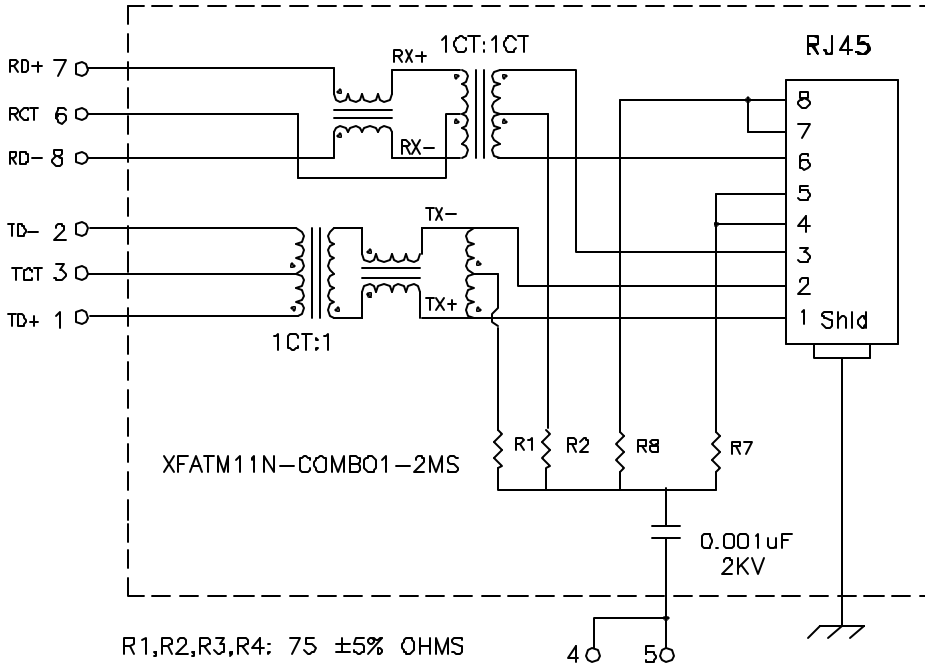


**Schematic:**



**Electrical Specifications: @25°C**

UTP Impedance: 100 OHMS  
 Turns Ratio: TX : 1CT:1 (±3%)    RX : 1CT:1CT (±3%)  
 Isolation Voltage: 1500 VAC (Input to Output)  
 UTP Side OCL: 350uH Minimum @100KHz,100mV 8mADC  
 Insertion Loss (0.1MHz-100MHz): -1.0dB Maximum

	1MHz-30MHz	40MHz	50MHz	60MHz-80MHz
Return Loss:	-18dB Typ	-16dB Typ	-14dB Typ	-12dB Typ

CMRR:	30MHz	60MHz	100MHz
	-35dB Min	-30dB Min	-25dB Min

Crosstalk:	30MHz	60MHz	100MHz
	-50dB Min	-40dB Min	-35dB Min

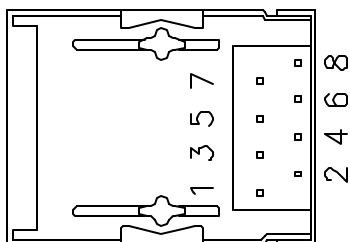
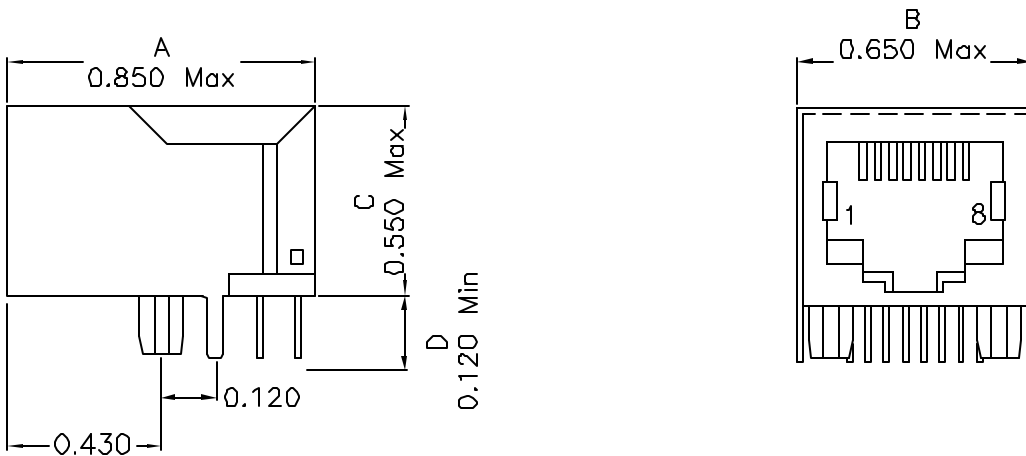
**Note:**

- Solderability: Leads shall meet MIL-STD-202, Method 208D for solderability.
- Flammability: UL94V-0,
- ASTM oxygen index: > 28% ,
- Temperature rating: 155°C. UL file E151556,
- Operating Temperature Range: -40°C to +85°C

DOC. REV A/2

<b>XFMRs Inc.</b>	Title: <b>SINGLE PORT COMBO</b>		
	UNLESS OTHERWISE SPECIFIED TOLERANCES: .xxx ±0.010 Dimensions in Inch	P/N: XFATM11N-COMBO1-2MS	REV. A
		DWN. 罗振江	Jul-11-03
		CHK. 廖玉坤	Jul-11-03
SHEET 1 OF 1	APP. Isaidh M	Jul-11-03	

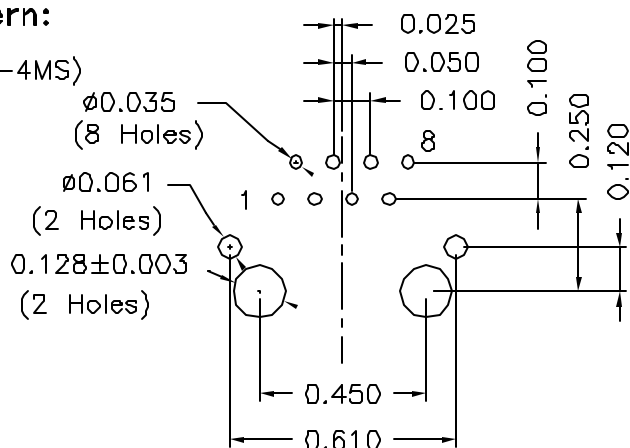
### Mechanical Dimensions:



(BOTTOM VIEW)

### Mounting Pattern:

(FOR COMBO1-4MS)  
(COMP SIDE)



DOC. REV: A/2

<b>XFMRS Inc.</b>	Title: Mechanical Dimensions For COMBO1-2MS Series		
	UNLESS OTHERWISE SPECIFIED TOLERANCES: .xxx ±0.010 Dimensions in Inch	P/N: XFATM11N-COMBO1-2MS	REV. A
	DWN.	罗振江	Jul-11-03
	CHK.	廖玉坤	Jul-11-03
SHEET 2 OF 2	APP.	Isaiah M	Jul-11-03