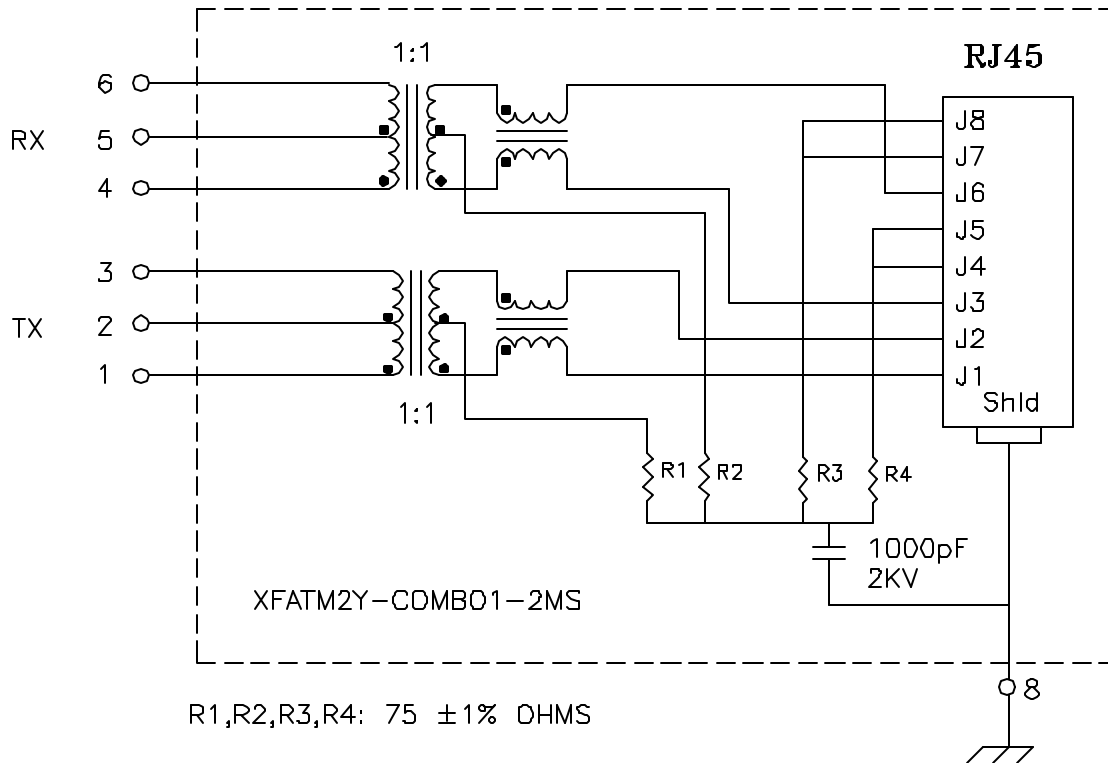


Schematic:



Electrical Specifications: @25°C

Isolation Voltage: 1500 Vac

Isolation Voltage: 500 Vac (1+2+3+4+5+6)

UTP SIDE OCL: 350uH Min @100KHz 100mV 8mADC

Leakage Inductance: P6-P4 0.3uH Max @1MHz 100mV Short J6 and J3

Leakage Inductance: P3-P1 0.3uH Max @1MHz 100mV Short J2 and J1

Cww: (P6, P5, & P4) to (J6 & J3) 30pF Max @1MHz

Cww: (P3, P2, & P1) to (J2 & J1) 30pF Max @1MHz

DCR: (J6-J3) = (J2-J1) 1.2 Ohms Max

Rise Time (10-90%): 2.5ns Typ

Insertion Loss (100KHz-100MHz): -1.2dB Max

Return Loss: -18dB Min @1MHz - 30MHz

Return Loss: -12dB Min @60MHz - 80MHz

Crosstalk: 30dB Typ @1MHz to 100MHz

Common Mode to Differential Mode Rejection:

1MHz-100MHz -35dB Typ (Tx) / -35dB Typ (Rx)

XFMRs Inc.

Title:

SINGLE PORT COMBO

UNLESS OTHERWISE SPECIFIED
TOLERANCES:
.xxx ±0.010
Dimensions in Inch
SHEET 1 OF 2

P/N: XFATM2Y-COMBO1-2MS

REV. A

DWN.

廖玉坤

Mar-21-01

CHK.

李清儿

Mar-21-01

APP.

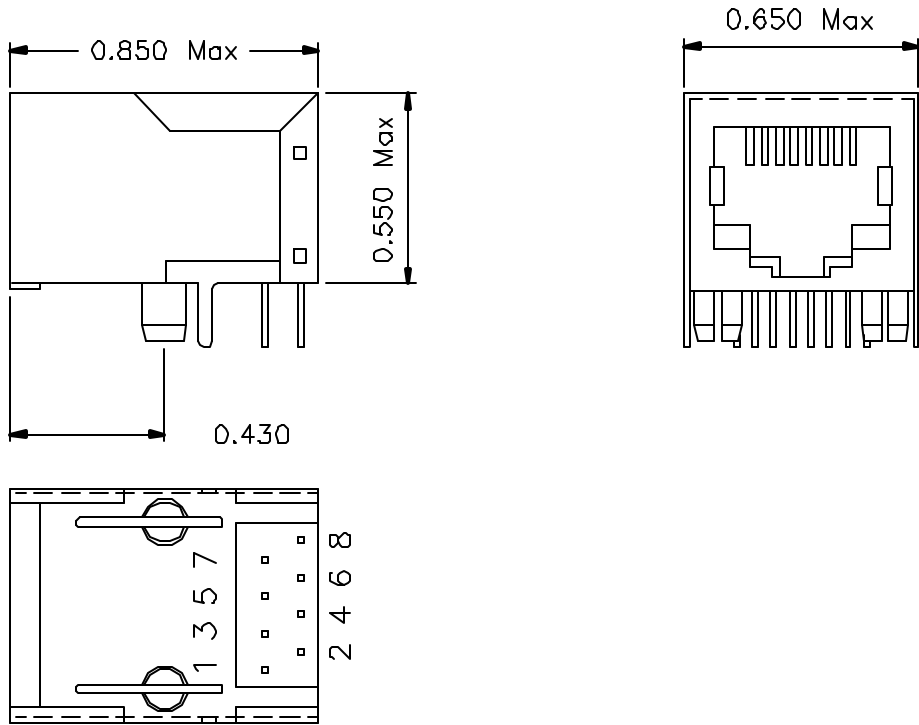
BW

Mar-21-01

DOC. REV: A/1

Mechanical Dimensions:

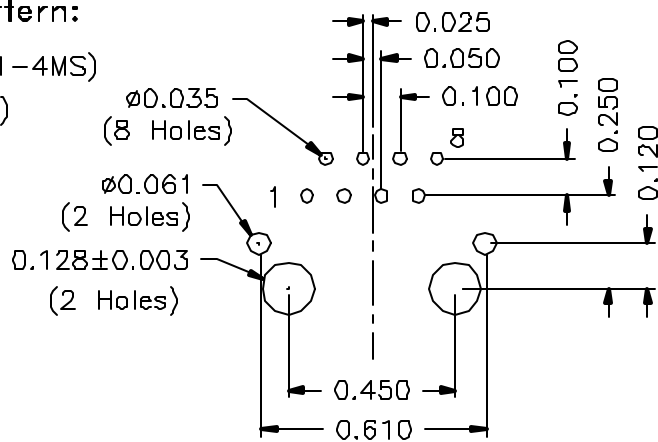
XFMR5
XFATM2Y-
COMBO1-2MS
YYWW



(BOTTOM VIEW)

Mounting Pattern:

(FOR COMBO1-4MS)
(COMP SIDE)



XFMR5 Inc.		Title: Mechanical Dimensions For COMBO1-2MS Series		
		UNLESS OTHERWISE SPECIFIED TOLERANCES: .xxx ±0.010 Dimensions in Inch	P/N: XFATM2Y-COMBO1-2MS	REV. A
DOC. REV: A/1	SHEET 2 OF 2	DWN.	廖玉坤	Mar-21-01
		CHK.	李清儿	Mar-21-01
		APP.	BW	Mar-21-01