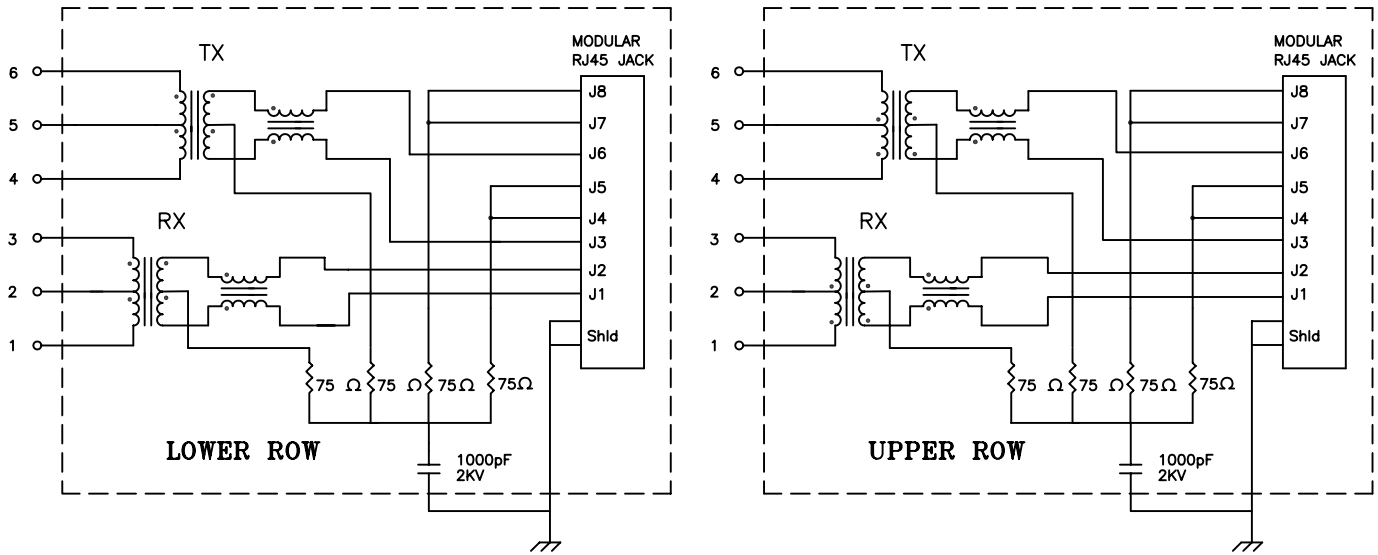


Schematic:



Electrical Specifications: 25°C

- URNS RATIO: TX 1CT:1CT±3%, RX 1CT:1CT±3%
- Isolation Voltage: 1500 Vrms (INPUT to OUTPUT)
- UTP SIDE OCL: 350uH Min @100KHz 100mV 8mADC
- Rise Time (10–90%): 2.5ns Typical
- Insertion Loss (1–100MHz): –1.0dB Maximum
- Insertion Loss (100MHz–125MHz): –1.1dB Typ.
- Return Loss: –18dB Typ. @30MHz
–12dB Typ @80MHz
- Crosstalk 32MHz: 40.0dB Min
62MHz: 35.0dB Min
100MHz: 30.0dB Min
- CMRR 100KHz–100MHz: 35.0dB Typ

PRELIMINARY

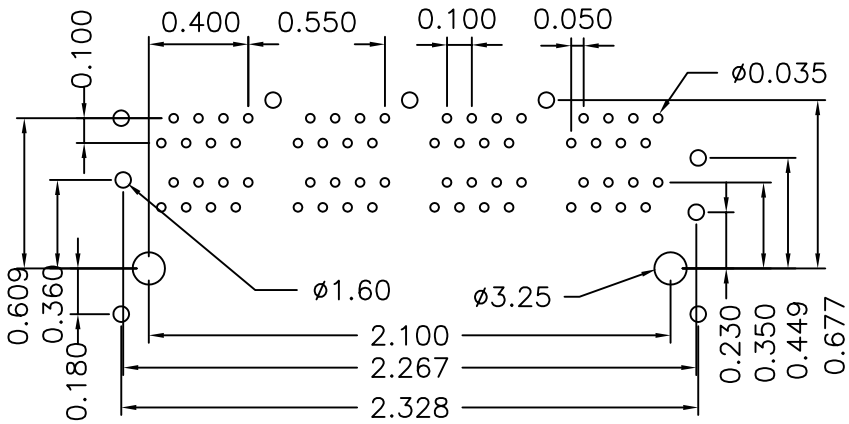
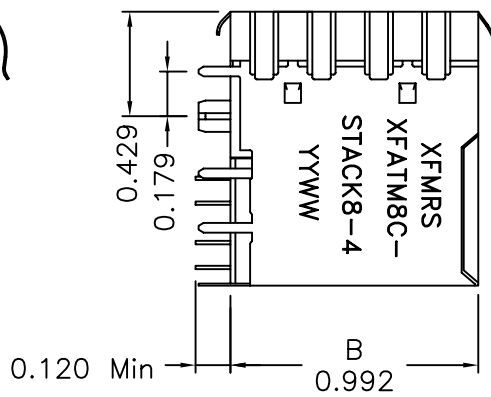
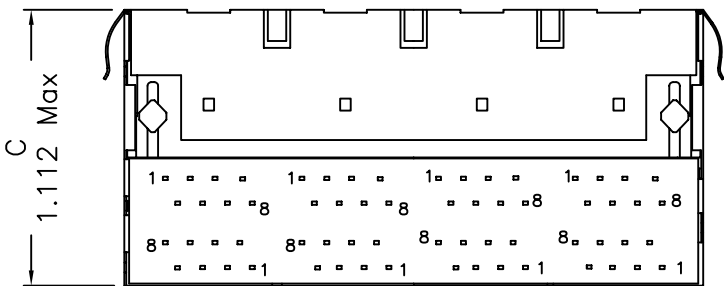
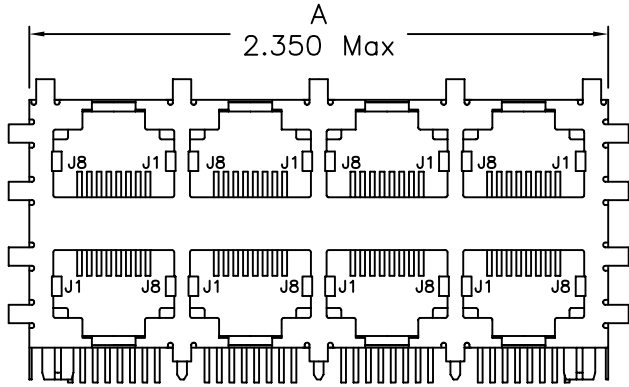
Notes:

1. Solderability: Leads shall meet MIL–STD–202, Method 208D for solderability.
2. Flammability: UL94V–0
3. ASTM oxygen index: > 28%
4. Insulation System: Class F 155°C. UL file E151556
5. Operating Temperature Range: All listed parameters are to be within tolerance from 0°C to +70°C
6. Storage Temperature Range: –55°C to +125°C
7. Aqueous wash compatible

DOC. REV. A/4

XFMRs Inc.	Title: 2x4 STACKED COMBO SERIES		
	UNLESS OTHERWISE SPECIFIED TOLERANCES: .xx ±0.25 Dimensions in MM	P/N: XFATM8C–STACK8–4	REV. A
SHEET 1 OF 2	DWN.	刘 鹏	Dec–12–02
	CHK.	李小锋	Dec–12–02
	APP.	Isaiah M	Dec–12–02

Mechanical Dimensions:



SUGGESTED MOUNTING PATTERN (COMPONENT SIDE)

PRELIMINARY

DOC. REV. A/4

XFMRs Inc.		Title: Mechanical Dimensions For 2x4 STACKED COMBO Series	
UNLESS OTHERWISE SPECIFIED TOLERANCES: .xx ±0.25 Dimensions in mm	P/N: XFATM8C-STACK8-4		REV. A
	DWN.	刘鹏	Dec-12-02
	CHK.	李小锋	Dec-12-02
	APP.	Isaiah M	Dec-12-02
SHEET 2 OF 2			