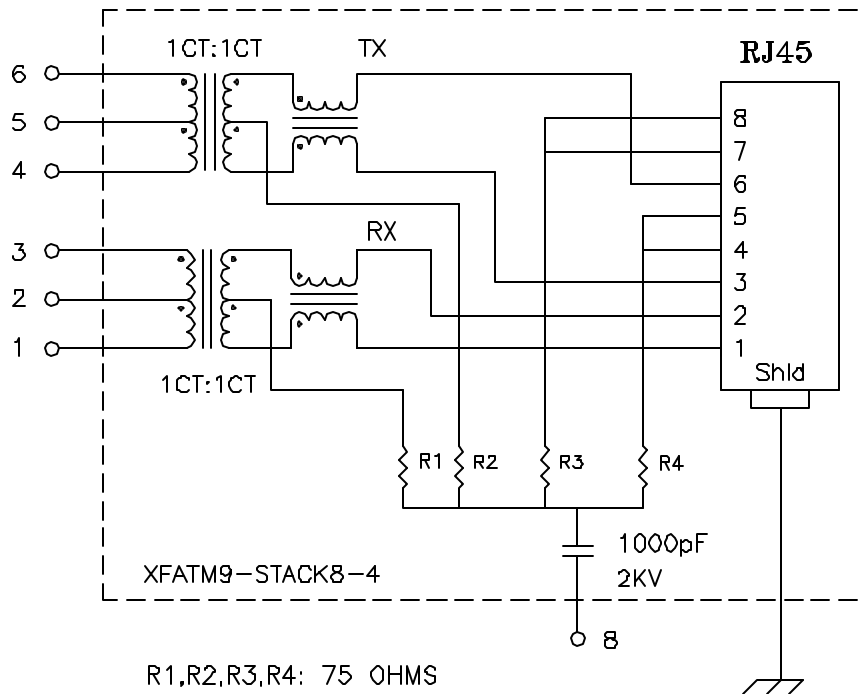


## Schematic:



## Electrical Specifications: @25°C

Isolation Voltage: 1500 Vrms (Input to Output)  
 Isolation Voltage: 500 Vrms (P1+2+3 to P4+5+6)  
 Turns Ratio: TX 1CT:1CT  $\pm 3\%$  RX 1CT:1CT  $\pm 3\%$   
 CABLE SIDE OCL: 350uH Minimum @100KHz 100mV 8mADC  
 Cw/w: 27pF Typical @100KHz 100mV  
 Insertion Loss (300KHz-100MHz): 1.0dB Maximum  
 Return Loss: @30MHz 18dB Minimum  
                   @80MHz 12dB Minimum

### Notes:

1. Solderability: Leads shall meet MIL-STD-202C, Method 208H for solderability.
2. Flammability: UL94V-0
3. ASTM oxygen index: > 28%
4. Insulation System: Class F 155°C. UL file E151556
5. Operating Temperature Range: All listed parameters are to be within tolerance from -40°C to +85°C
6. Storage Temperature Range: -55°C to +125°C
7. Aqueous wash compatible
8. Electrical and mechanical specifications 100% tested
9. RoHS Compliant Component

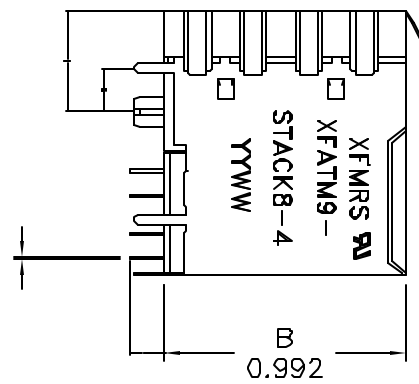
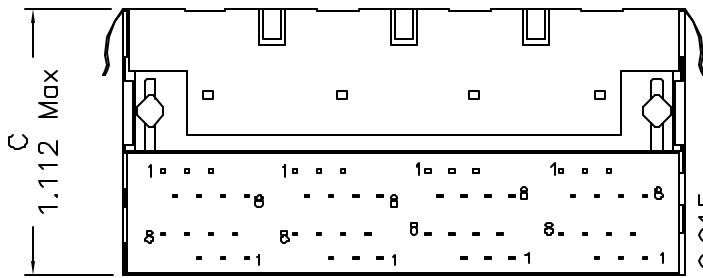
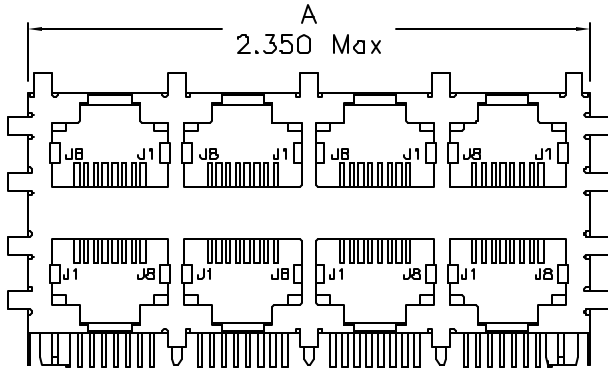
DOC. REV: A/2

|                                    |                              |      |                      |
|------------------------------------|------------------------------|------|----------------------|
| <b>XFMRs Inc.</b><br>www.XFMRs.com | Title: <b>2x4 PORT COMBO</b> |      |                      |
|                                    | UNLESS OTHERWISE SPECIFIED   |      | P/N: XFATM9-STACK8-4 |
| TOLERANCES:<br>.xxx $\pm 0.010$    |                              | DWN. | 罗振江<br>Apr-06-06     |
| Dimensions in Inch                 |                              | CHK. | 廖玉坤<br>Apr-06-06     |
| SHEET 1 OF 2                       |                              | APP. | MS<br>Apr-06-06      |

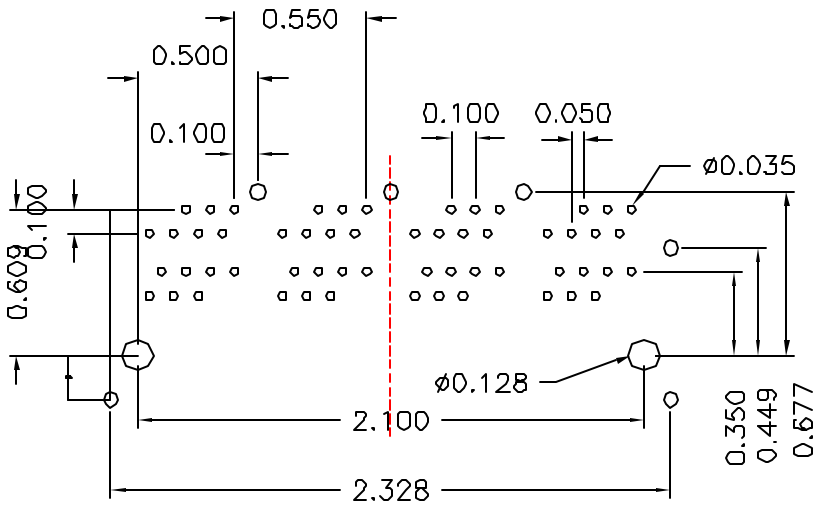
**PROPRIETARY:**

Document is the property of XFMRs Group & is not allowed to be duplicated without authorization.

**Mechanical Dimensions:**



SQ 0.015  
±0.008



\*Remove Pin#7

SUGGESTED MOUNTING PATTERN (COMPONENT SIDE)

DOC. REV. A/2

|  |  |           |
|--|--|-----------|
| <b>XFMR9 Inc.</b><br><a href="http://www.XFMR9.com">www.XFMR9.com</a>          | Title: Mechanical Dimensions<br>For 2x4 STACKED COMBO Series |           |
|  | P/N: XFATM9-STACK8-4   | REV. A    |
| UNLESS OTHERWISE SPECIFIED<br>TOLERANCES:<br>.xxx ±0.010<br>Dimensions in Inch | DWN. 刘 鹏   | Apr-06-06 |
| SHEET 2 OF 2   | CHK. 李小锋   | Apr-06-06 |
|  | APP. MS  | Apr-06-06 |

**PROPRIETARY:**

Document is the property of XFMR9 Group & is not allowed to be duplicated without authorization.