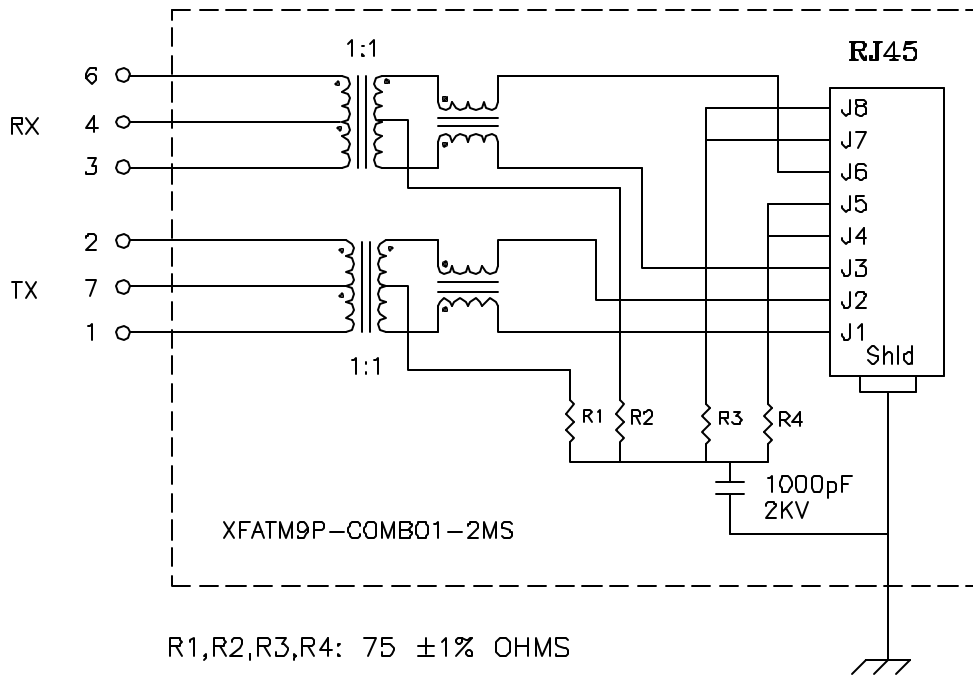


## Schematic:



## Electrical Specifications: @25°C

Isolation Voltage: 1500 Vac  
 Isolation Voltage: 500 Vac (1+2+7-3+6+4)  
 UTP SIDE OCL: 350uH Min @100KHz 100mV 8mADC  
 Rise Time (10-90%): 2.5ns Typical  
 Insertion Loss (300KHz-100MHz): -1.1dB Maximum  
 Insertion Loss (100MHz-125MHz): -1.5dB Maximum  
 Return Loss: -12dB Typical @300KHz - 100MHz  
 Crosstalk:  
 100KHz-60MHz -40dB Typical  
 60MHz-100MHz -38dB Typical  
 Common Mode to Differential Mode Rejection:  
 1MHz-100MHz -30dB Typ (Tx) / -30dB Typ (Rx)  
 200MHz -20dB Typ (Tx) / -20dB Typ (Rx)

### Notes:

1. Solderability: Leads shall meet MIL-STD-202G, Method 208H for solderability.
2. Flammability: UL94V-0
3. ASTM oxygen index: > 28%
4. Insulation System: Class F 155°C, UL file E151556
5. Operating Temperature Range: All listed parameters are to be within tolerance from -40°C to +85°C
6. Storage Temperature Range: -55°C to +125°C
7. Aqueous wash compatible
8. Electrical and mechanical specifications 100% tested
9. RoHS Compliant Component

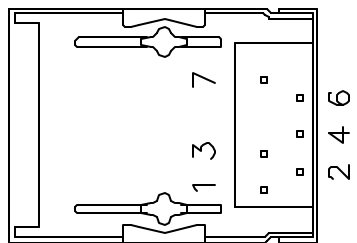
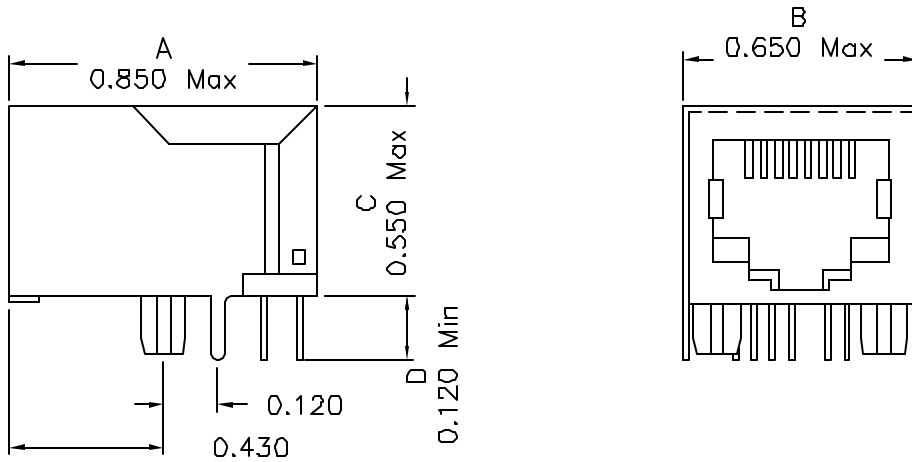
DOC. REV: A/3

<b>XFMRs Inc.</b> www.XFMRS.com	Title: SINGLE PORT COMBO	
	P/N: XFATM9P-COMBO1-2MS	REV. A
UNLESS OTHERWISE SPECIFIED TOLERANCES: .xxx ±0.010 Dimensions in Inch	DWN.	李小锋 Jun-14-06
SHEET 1 OF 2	CHK.	廖玉坤 Jun-14-06
	APP.	MS Jun-14-06

**PROPRIETARY:**

Document is the property of XFMRs Group & is not allowed to be duplicated without authorization.

# Mechanical Dimensions:

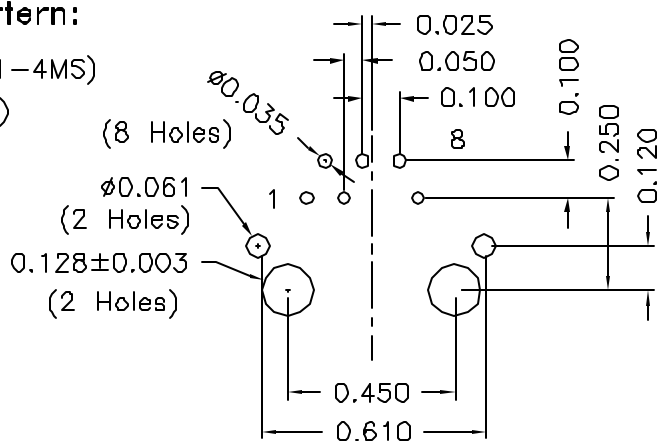


(BOTTOM VIEW)

\*Remove Pins 5&8

## Mounting Pattern:

(FOR COMBO1-4MS)  
(COMP SIDE)



DOC. REV: A/3

<b>XFMR5 Inc.</b> www.XFMR5.com	Title: Mechanical Dimensions For COMBO1-2MS Series		
	UNLESS OTHERWISE SPECIFIED TOLERANCES: .xxx ±0.010 Dimensions in Inch	P/N: XFATM9P-COMBO1-2MS	REV. A
	DWN.	Juan Mao	Jun-14-06
	CHK.	YK Liao	Jun-14-06
SHEET 2 OF 2	APP.	MS	Jun-14-06

**PROPRIETARY:**  
 Document is the property of XFMR5 Group & is not allowed to be duplicated without authorization.