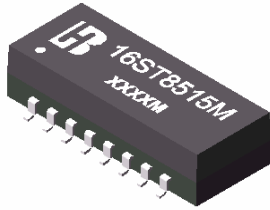


10/100 BASE-T TRANSFORMER

P/N:16ST8515M DATA SHEET

Feature

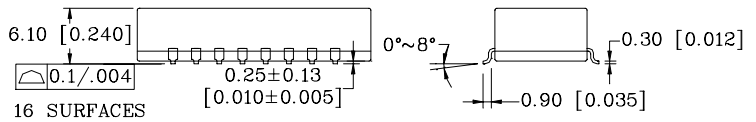
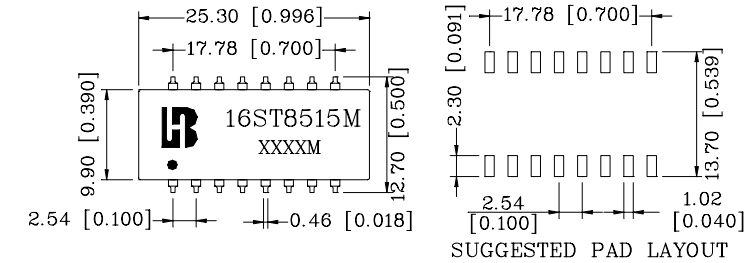
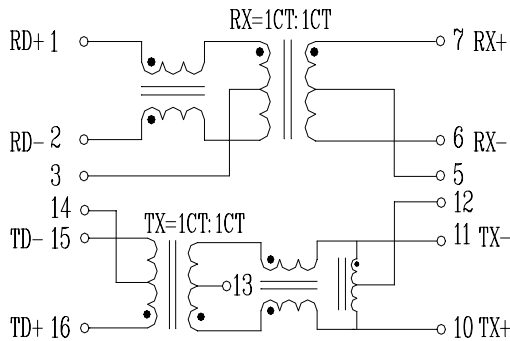


- Designed for 10/100 MB/s transmission over UTP-5 cable.
- Cable interface for isolation and low common mode Emissions.
- 16-PIN SMD package, pick and place compatible.
- Operating Temperature range:-40°C to +85°C.
- Storage temperature range: -40°C to +125°C.

Electrical Specifications @ 25°C											
Part Number	Turns Ratio (±5%)		OCL (uH Min) @ 100KHz/0.1Vrms with 8mA/DC Bias				C _{www} (pF Max)	L.L (uH Max)	Rise Time (10-90%) nS TYP	HI-POT (Vrms)	
	TX	RX									
16ST8515M	1CT:1CT	1CT:1CT	350				28	0.6	2.5	1500	
Continue											
Part Number	Insertion Loss (dB Max)	Return Loss (dB Min)					Cross talk (dB Min)		DCMR TX/RX(dB Min)		
		0.3-100 MHz	30MHz	40MHz	50MHz	60MHz	80MHz	0.3-60MHz	60-100MHz	30MHz	60MHz
16ST8515M	-1.15	-16	-14	-13.5	-13	-12	-45	-35	-42/-40	-35/-30	-28/-25

Schematic

Mechanical



Units: mm[Inches] Tolerances: xx.x0±0.25[0.010]
 0.xx±0.05[0.002]