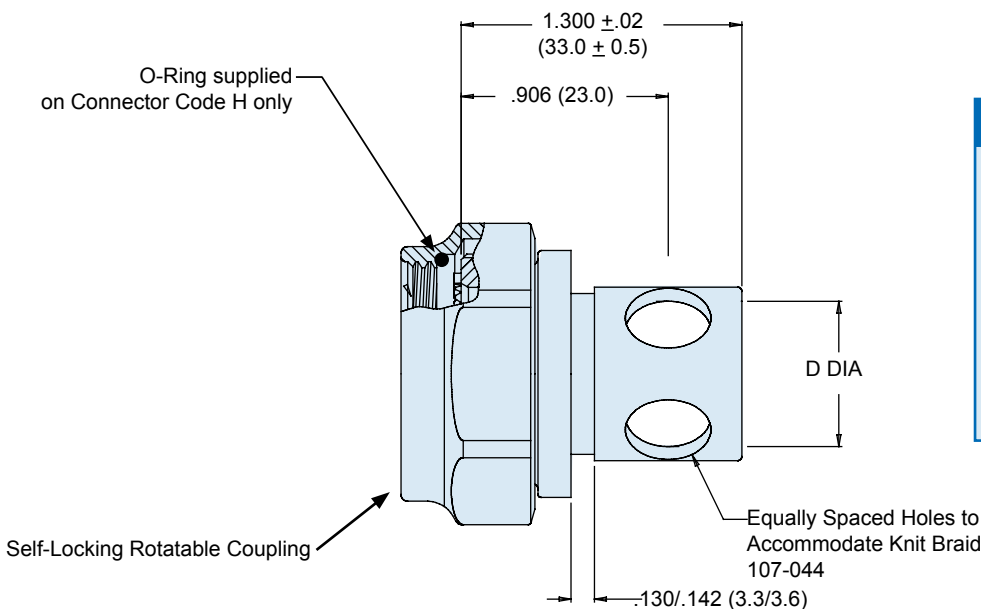
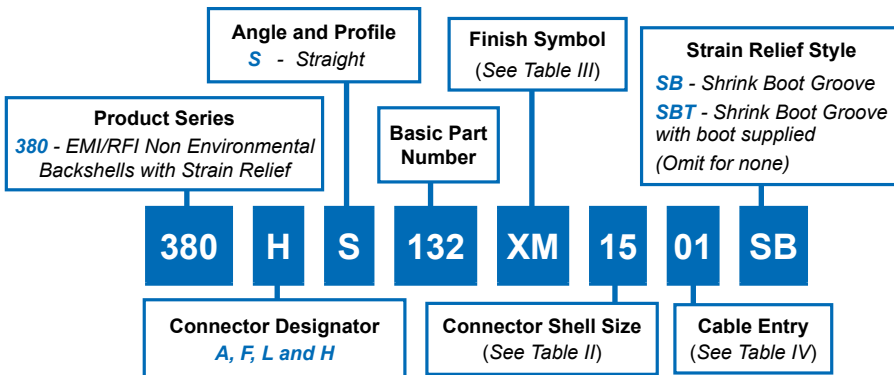




380-132 Composite Knit-Braid Style EMI/RFI O-Ring Equipped Shield Termination Backshell with Shrink Boot Adapter and Rotatable Coupling

A

CONNECTOR DESIGNATOR:	
A	MIL-DTL-5015, -26482 Series II, and -83723 Series I and III
F	MIL-DTL-38999 Series I, II
L	MIL-DTL-38999 Series 1.5 (JN1003)
H	MIL-DTL-38999 Series III and IV
ROTATABLE COUPLING	



- APPLICATION NOTES**
1. Coupling nut and saddle bars supplied unplated.
 2. Consult factory for additional entry sizes available.
 3. For angled part requirements, use in conjunction with Glenair 327-060 Extenders.
 4. See Table I in Intro for additional front-end dimensional details.

TABLE II: SHELL SIZE

Shell Size	Max Entry Code**	Shell Size		Max Entry Code**
		F/L	H	
08	00	08	09	01
10	01	10	11	02
12	02	12	13	03
14	03	14	15	04
16	04	16	17	05
18	05	18	19	06
20	06	20	21	07
22	07	22	23	08
24	08	24	25	09

TABLE IV: CABLE ENTRY

Entry Code**	D ±.010 (0.25)	Number of Holes
00	.268 (6.8)	2*
01	.354 (9.0)	2**
02	.472 (12.0)	2**
03	.591 (15.0)	2*
04	.709 (18.0)	2*
05	.837 (21.3)	2*
06	.945 (24.0)	2*
07	1.063 (27.0)	4*
08	1.191 (30.3)	4*
09	1.319 (33.5)	4*

TABLE III: FINISH

Symbol	Finish Description
XM	2000 Hour Corrosion Resistant Electroless Nickel
XMT	2000 Hour Corrosion Resistant Ni-PTFE, Nickel-Fluorocarbon Polymer. 1000 Hour Grey™
XW	2000 Hour Corrosion Resistant Cadmium/Olive Drab over Electroless Nickel

*Oval Holes, .256 (6.5) x .512 (13.0)
 **Oval Holes, .315 (8.0) x .512 (13.0)
 *Circular Holes, .512 (13.0) Diameter.