



Common Mode Line Chokes - CMT Series

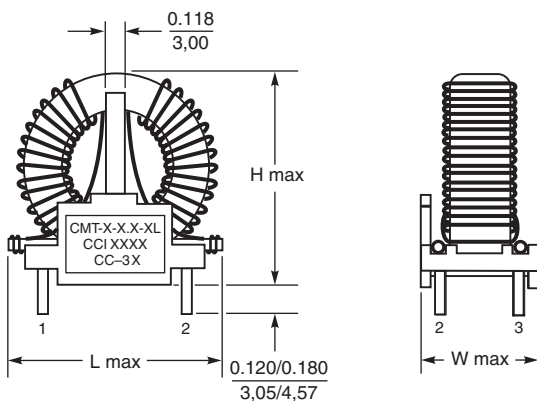
Coilcraft's CMT toroid style common mode chokes are designed to provide the highest common mode impedance over the widest frequency range. These parts are ideal for any application requiring a high DC current bias and are well suited for use in switch-mode power supplies.

Common mode chokes are most effective in filtering supply and return conductors with in-phase signals of

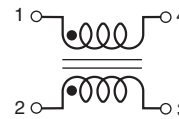
equal amplitude. Differential mode inductors are available for filtering out-of-phase or uneven amplitude signals.

CMTs feature inductance values up to 125 mH and I_{rms} ratings as high as 15 Amps.

- 1250 V_{rms} isolation between windings
- Industry standard footprint.
- IEC, UL, and VDE compliant.



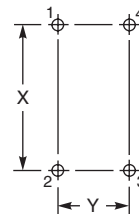
Schematic



Weights: CMT1: 13.3 – 25.5 g;
CMT2: 20.7 – 41.7 g;
CMT3: 42.5 – 74.9 g;
CMT4: 115 – 117 g

Terminations: Tin-silver over copper

Recommended Board Layout



CMT-1 Series

Part number	L min ¹ (mH)	I _{rms} (A)	Leakage inductance ² max (µH)	DCR max (Ohms)	H max	L max	W max	X ±0.01/0,25	Y ±0.01/0,25	Lead diameter nom	PC board hole diameter
CMT1-5.0-1L	5.0	1.0	80	0.207	1.100/27,9	1.210/30,7	0.625/15,9	0.80/20,3	0.40/10,2	0.054/1,37	0.091/2,32
CMT1-8.0-1L	8.0	1.0	125	0.270	1.100/27,9	1.210/30,7	0.625/15,9	0.80/20,3	0.40/10,2	0.054/1,37	0.091/2,32
CMT1-15.0-1L	15.0	1.0	233	0.430	1.155/29,4	1.300/33,0	0.625/15,9	0.80/20,3	0.40/10,2	0.054/1,37	0.091/2,32
CMT1-2.5-2L	2.5	2.0	42	0.090	1.100/27,9	1.210/30,7	0.625/15,9	0.80/20,3	0.40/10,2	0.054/1,37	0.091/2,32
CMT1-4.0-2L	4.0	2.0	70	0.095	1.050/26,7	1.210/30,7	0.625/15,9	0.80/20,3	0.40/10,2	0.054/1,37	0.091/2,32
CMT1-7.5-2L	7.5	2.0	74	0.108	1.155/29,4	1.300/33,0	0.625/15,9	0.80/20,3	0.40/10,2	0.054/1,37	0.091/2,32
CMT1-1.3-4L	1.3	4.0	20	0.029	1.100/27,9	1.210/30,7	0.625/15,9	0.80/20,3	0.40/10,2	0.054/1,37	0.091/2,32
CMT1-2.1-4L	2.1	4.0	36	0.040	1.100/27,9	1.210/30,7	0.625/15,9	0.80/20,3	0.40/10,2	0.054/1,37	0.091/2,32
CMT1-3.7-4L	3.7	4.0	40	0.036	1.125/28,6	1.300/33,0	0.625/15,9	0.80/20,3	0.40/10,2	0.054/1,37	0.091/2,32
CMT1-1.0-6L	1.0	6.0	19	0.022	1.100/27,9	1.210/30,7	0.625/15,9	0.80/20,3	0.40/10,2	0.054/1,37	0.091/2,32
CMT1-1.7-6L	1.7	6.0	34	0.032	1.155/29,4	1.300/33,0	0.625/15,9	0.80/20,3	0.40/10,2	0.054/1,37	0.091/2,32
CMT1-3.0-6L	3.0	6.0	35	0.027	1.200/30,5	1.210/30,7	0.625/15,9	0.80/20,3	0.40/10,2	0.054/1,37	0.091/2,32
CMT1-0.6-9L	0.6	9.0	11	0.012	1.200/30,5	1.210/30,7	0.625/15,9	0.80/20,3	0.40/10,2	0.042/1,07	0.071/1,80
CMT1-1.1-9L	1.1	9.0	12	0.013	1.300/33,0	1.210/30,7	0.625/15,9	0.80/20,3	0.40/10,2	0.042/1,07	0.071/1,80
CMT1-1.9-9L	1.9	9.0	20	0.017	1.300/33,0	1.400/35,6	0.625/15,9	0.80/20,3	0.40/10,2	0.042/1,07	0.071/1,80
CMT1-0.5-12L	0.5	12.0	9	0.008	1.200/30,5	1.210/30,7	0.650/16,5	0.80/20,3	0.40/10,2	0.048/1,22	0.081/2,06
CMT1-0.8-12L	0.8	12.0	9	0.008	1.200/30,5	1.210/30,7	0.650/16,5	0.80/20,3	0.40/10,2	0.048/1,22	0.081/2,06
CMT1-1.4-12L	1.4	12.0	16	0.011	1.300/33,0	1.210/30,7	0.650/16,5	0.80/20,3	0.40/10,2	0.048/1,22	0.081/2,06
CMT1-0.3-15L	0.3	15.0	6	0.005	1.300/33,0	1.210/30,7	0.625/15,9	0.80/20,3	0.40/10,2	0.054/1,37	0.091/2,32
CMT1-0.6-15L	0.6	15.0	6.5	0.006	1.250/31,8	1.210/30,7	0.650/16,5	0.80/20,3	0.40/10,2	0.054/1,37	0.091/2,32
CMT1-1.1-15L	1.1	15.0	13.7	0.008	1.250/31,8	1.210/30,7	0.700/17,8	0.80/20,3	0.40/10,2	0.054/1,37	0.091/2,32

1. Inductance is per winding, tested at 15.75 kHz, 0 Adc.

2. Leakage inductance is measured from pin 1 to pin 4 with pins 2 and 3 shorted.

3. Operating temperature range –40°C to +85°C.

4. Electrical specifications at 25°C.

Coilcraft[®]

Specifications subject to change without notice.
Please check our website for latest information.

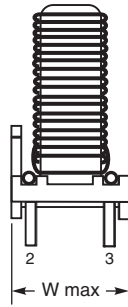
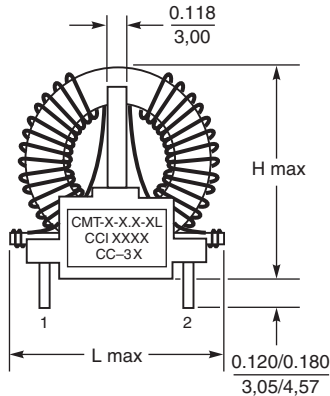
Document 326-1 Revised 08/20/08

1102 Silver Lake Road Cary, Illinois 60013 Phone 847/639-6400 Fax 847/639-1469

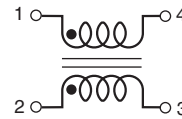
E-mail info@coilcraft.com Web <http://www.coilcraft.com>



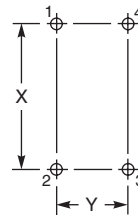
Common Mode Line Chokes – CMT Series



Schematic



Recommended Board Layout



Weights: CMT1: 13.3 – 25.5 g;
CMT2: 20.7 – 41.7 g;
CMT3: 42.5 – 74.9 g;
CMT4: 115 – 117 g

Terminations: Tin-silver over copper

CMT-2 Series

Part number	L min ¹ (mH)	I _{rms} (A)	Leakage inductance ² max (μH)	DCR max (Ohms)	H max	L max	W max	X ±0.01/0,25	Y ±0.01/0,25	Lead diameter nom	PC board hole diameter
CMT2-7.5-1L	7.5	1.0	90	0.270	1.100/27,9	1.310/33,3	0.825/21,0	0.90/22,9	0.60/15,2	0.054/1,37	0.091/2,32
CMT2-13-1L	13.0	1.0	190	0.415	1.300/33,0	1.310/33,3	0.825/21,0	0.90/22,9	0.60/15,2	0.054/1,37	0.091/2,32
CMT2-3.8-2L	3.8	2.0	48	0.106	1.100/27,9	1.310/33,3	0.825/21,0	0.90/22,9	0.60/15,2	0.054/1,37	0.091/2,32
CMT2-6.5-2L	6.5	2.0	98	0.145	1.300/33,0	1.310/33,3	0.825/21,0	0.90/22,9	0.60/15,2	0.054/1,37	0.091/2,32
CMT2-1.9-4L	1.9	4.0	26	0.038	1.100/27,9	1.310/33,3	0.825/21,0	0.90/22,9	0.60/15,2	0.054/1,37	0.091/2,32
CMT2-3.3-4L	3.3	4.0	45	0.055	1.300/33,0	1.310/33,3	0.825/21,0	0.90/22,9	0.60/15,2	0.054/1,37	0.091/2,32
CMT2-1.5-6L	1.5	6.0	21	0.029	1.100/27,9	1.310/33,3	0.825/21,0	0.90/22,9	0.60/15,2	0.054/1,37	0.091/2,32
CMT2-2.6-6L	2.6	6.0	41	0.040	1.400/35,6	1.400/35,6	0.900/22,9	0.90/22,9	0.60/15,2	0.054/1,37	0.091/2,32
CMT2-9-9L	0.9	9.0	17	0.014	1.200/30,5	1.310/33,3	0.825/21,0	0.90/22,9	0.60/15,2	0.042/1,07	0.071/1,80
CMT2-1.5-9L	1.5	9.0	15	0.013	1.250/31,8	1.250/31,8	0.825/21,0	0.90/22,9	0.60/15,2	0.042/1,07	0.071/1,80
CMT2-7-12L	0.7	12.0	14	0.011	1.200/30,5	1.250/31,8	0.825/21,0	0.90/22,9	0.60/15,2	0.048/1,22	0.081/2,06
CMT2-1.2-12L	1.2	12.0	14	0.011	1.200/30,5	1.250/31,8	0.825/21,0	0.90/22,9	0.60/15,2	0.048/1,22	0.081/2,06
CMT2-5-15L	0.5	15.0	8.7	0.007	1.300/33,0	1.300/33,0	0.825/21,0	0.90/22,9	0.60/15,2	0.054/1,37	0.091/2,32
CMT2-8-15L	0.8	15.0	10	0.007	1.200/30,5	1.250/31,8	0.825/21,0	0.90/22,9	0.60/15,2	0.054/1,37	0.091/2,32

- Inductance is per winding, tested at 15.75 kHz, 0 Adc.
- Leakage inductance is measured from pin 1 to pin 4 with pins 2 and 3 shorted.
- Operating temperature range –40°C to +85°C.
- Electrical specifications at 25°C.

CMT-3 Series

Part number	L min ¹ (mH)	I _{rms} (A)	Leakage inductance ² max (μH)	DCR max (Ohms)	H max	L max	W max	X ±0.01/0,25	Y ±0.01/0,25	Lead diameter nom	PC board hole diameter
CMT3-32-1L	32.0	1.0	485	0.650	1.400/35,6	1.650/41,9	0.925/23,5	1.20/30,5	0.70/17,8	0.054/1,37	0.091/2,32
CMT3-56-1L	56.0	1.0	780	0.900	1.650/41,9	1.650/41,9	0.925/23,5	1.20/30,5	0.70/17,8	0.054/1,37	0.091/2,32
CMT3-16-2L	16.0	2.0	210	0.240	1.400/35,6	1.650/41,9	0.925/23,5	1.20/30,5	0.70/17,8	0.054/1,37	0.091/2,32
CMT3-28-2L	28.0	2.0	410	0.330	1.650/41,9	1.650/41,9	0.925/23,5	1.20/30,5	0.70/17,8	0.054/1,37	0.091/2,32
CMT3-8-4L	8.0	4.0	57.5	0.061	1.350/34,3	1.650/41,9	0.925/23,5	1.20/30,5	0.70/17,8	0.054/1,37	0.091/2,32
CMT3-14-4L	14.0	4.0	180	0.120	1.700/43,2	1.650/41,9	0.950/24,1	1.20/30,5	0.70/17,8	0.054/1,37	0.091/2,32
CMT3-6.6-6L	6.6	6.0	49	0.048	1.400/35,6	1.600/40,6	0.925/23,5	1.20/30,5	0.70/17,8	0.054/1,37	0.091/2,32
CMT3-11.5-6L	11.5	6.0	140	0.088	1.700/43,2	1.650/41,9	0.925/23,5	1.20/30,5	0.70/17,8	0.054/1,37	0.091/2,32
CMT3-4-9L	4.0	9.0	37	0.026	1.400/35,6	1.450/36,8	0.925/23,5	1.20/30,5	0.70/17,8	0.042/1,07	0.071/1,80
CMT3-7-9L	7.0	9.0	104	0.045	1.760/44,7	1.760/44,7	0.975/24,8	1.20/30,5	0.70/17,8	0.042/1,07	0.071/1,80
CMT3-3-12L	3.0	12.0	40	0.022	1.700/43,2	1.700/43,2	0.950/24,1	1.20/30,5	0.70/17,8	0.048/1,22	0.081/2,06
CMT3-5.2-12L	5.2	12.0	47	0.025	1.700/43,2	1.700/43,2	1.000/25,4	1.20/30,5	0.70/17,8	0.048/1,22	0.081/2,06
CMT3-2.5-15L	2.5	15.0	42	0.019	1.750/44,5	1.750/44,5	1.000/25,4	1.20/30,5	0.70/17,8	0.054/1,37	0.091/2,32
CMT3-4.4-15L	4.4	15.0	48	0.017	1.700/43,2	1.700/43,2	1.000/25,4	1.20/30,5	0.70/17,8	0.054/1,37	0.091/2,32

- Inductance is per winding, tested at 15.75 kHz, 0 Adc.
- Leakage inductance is measured from pin 1 to pin 4 with pins 2 and 3 shorted.
- Operating temperature range –40°C to +85°C.
- Electrical specifications at 25°C.

Coilcraft[®]

Specifications subject to change without notice.
Please check our website for latest information.

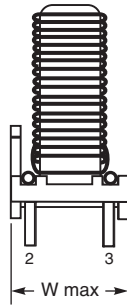
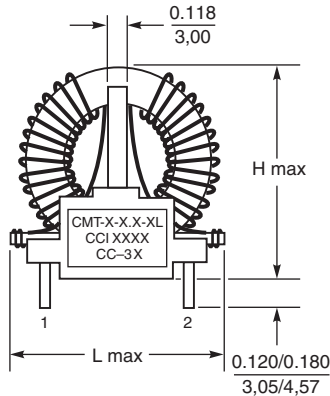
Document 326-2 Revised 08/20/08

1102 Silver Lake Road Cary, Illinois 60013 Phone 847/639-6400 Fax 847/639-1469

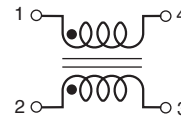
E-mail info@coilcraft.com Web <http://www.coilcraft.com>



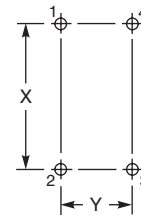
Common Mode Line Chokes – CMT Series



Schematic



Recommended Board Layout



Weights: CMT1: 13.3 – 25.5 g;
CMT2: 20.7 – 41.7 g;
CMT3: 42.5 – 74.9 g;
CMT4: 115 – 117 g

Terminations: Tin-silver over copper

CMT-4 Series

Part number	L min ¹ (mH)	I _{rms} (A)	Leakage inductance ² max (μH)	DCR max (Ohms)	H max	L max	W max	X ±0.01/0.25	Y ±0.01/0.25	Lead diameter nom	PC board hole diameter
CMT4-72-1L	72.0	1.0	1400	1.150	2.100/53,3	2.100/53,3	1.130/28,7	1.50/38,1	0.90/22,9	0.054/1,37	0.091/2,32
CMT4-125-1L	125.0	1.0	1400	1.150	2.200/55,9	2.150/54,6	1.130/28,7	1.50/38,1	0.90/22,9	0.054/1,37	0.091/2,32
CMT4-36-2L	36.0	2.0	680	0.415	2.215/56,3	2.150/54,6	1.130/28,7	1.50/38,1	0.90/22,9	0.054/1,37	0.091/2,32
CMT4-62-2L	62.0	2.0	750	0.415	2.200/55,9	2.150/54,6	1.130/28,7	1.50/38,1	0.90/22,9	0.054/1,37	0.091/2,32
CMT4-19-4L	19.0	4.0	350	0.150	2.200/55,9	2.180/55,4	1.130/28,7	1.50/38,1	0.90/22,9	0.054/1,37	0.091/2,32
CMT4-32-4L	32.0	4.0	370	0.158	2.200/55,9	2.180/55,4	1.130/28,7	1.50/38,1	0.90/22,9	0.054/1,37	0.091/2,32
CMT4-15-6L	15.0	6.0	275	0.114	2.200/55,9	2.180/55,4	1.130/28,7	1.50/38,1	0.90/22,9	0.054/1,37	0.091/2,32
CMT4-26-6L	26.0	6.0	320	0.115	2.225/56,5	2.180/55,4	1.130/28,7	1.50/38,1	0.90/22,9	0.054/1,37	0.091/2,32
CMT4-10-9L	10.0	9.0	190	0.057	2.200/55,9	2.180/55,4	1.130/28,7	1.50/38,1	0.90/22,9	0.042/1,07	0.071/1,80
CMT4-17-9L	17.0	9.0	220	0.062	2.280/47,9	2.250/57,2	1.150/29,2	1.50/38,1	0.90/22,9	0.042/1,07	0.071/1,80
CMT4-7.5-12L	7.5	12.0	140	0.042	2.200/55,9	2.250/57,2	1.130/28,7	1.50/38,1	0.90/22,9	0.048/1,22	0.081/2,06
CMT4-13-12L	13.0	12.0	155	0.043	2.250/57,2	2.300/58,4	1.130/28,7	1.50/38,1	0.90/22,9	0.048/1,22	0.081/2,06
CMT4-6-15L	6.0	15.0	111	0.030	2.250/57,2	2.250/57,2	1.150/29,2	1.50/38,1	0.90/22,9	0.054/1,37	0.091/2,32
CMT4-10-15L	10.0	15.0	122	0.029	2.280/57,9	2.300/58,4	1.130/28,7	1.50/38,1	0.90/22,9	0.054/1,37	0.091/2,32

1. Inductance is per winding, tested at 15.75 kHz, 0 Adc.
2. Leakage inductance is measured from pin 1 to pin 4 with pins 2 and 3 shorted.
3. Operating temperature range –40°C to +85°C.
4. Electrical specifications at 25°C.

Coilcraft[®]

Specifications subject to change without notice.
Please check our website for latest information.

Document 326-3 Revised 08/20/08

1102 Silver Lake Road Cary, Illinois 60013 Phone 847/639-6400 Fax 847/639-1469

E-mail info@coilcraft.com Web <http://www.coilcraft.com>