



"Lan-Mate" Series

SINGLE RJ45 CONNECTOR MODULE WITH INTEGRATED 1000 BASE-T MAGNETICS AND LEDs

P/N:LA1E109D-D2D2

Feature



- Isolation @ 60Hz : Input to output:1500Vrms.
- Operating temperature range: 0 to +70 .
- Storage temperature range: -25 to +85 .
- Recommended panel

| Part Number | Standard LED  | Forward*V(Max) | (TYP) |
|-------------|---------------|----------------|-------|
| D2          | ORANGE& GREEN | 2.6V           | 2.1V  |
| D2          | ORANGE& GREEN | 2.6V           | 2.2V  |

\*with a forward current of 20mA

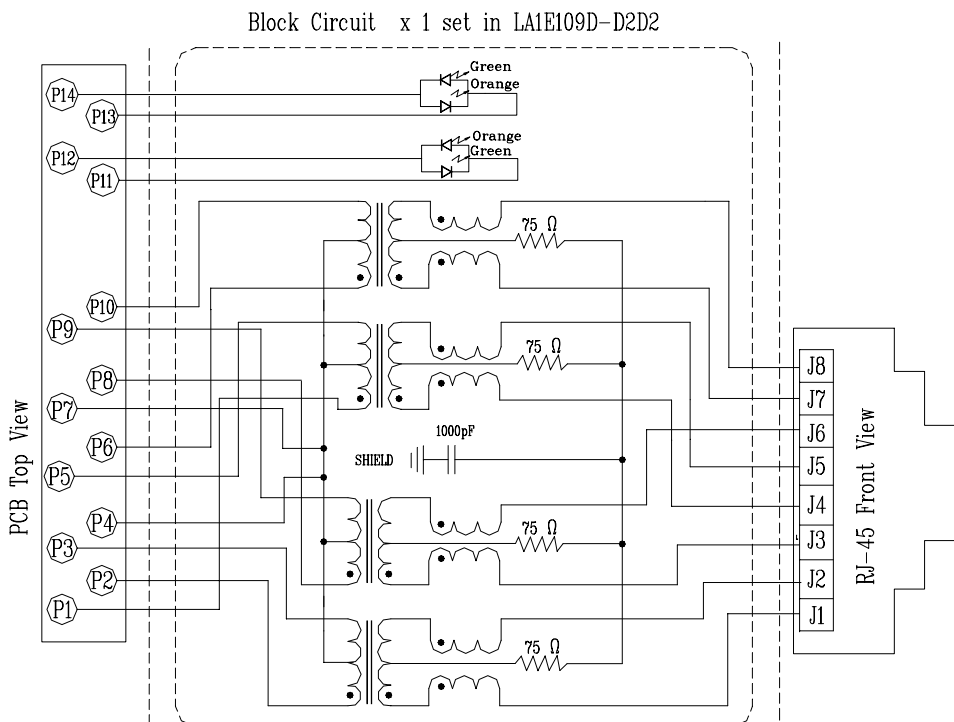
Electrical Specifications @ 25°C

| Part Number   | Turns Ratio (±5%) |         | OCL(uH Min)<br>@100KHz/0.1V<br>with 8mA DC Bias | Cross talk (dB Min) |          |           | HI-POT (Vrms) |
|---------------|-------------------|---------|---|---------------------|----------|-----------|---------------|
|               | TX                | RX      |   | 0.3-30MHz           | 30-60MHz | 60-100MHz |               |
| LA1E109D-D2D2 | 1CT:1CT           | 1CT:1CT | 350   | -40                 | -35      | -30       | 1500          |

Continue

| Part Number   | Insertion Loss (dB Max) | Return Loss (dB Min) @ Load 100 |         |          |          | CMR (dB Min) |         |          |
|---------------|-------------------------|---------------------------------|---------|----------|----------|--------------|---------|----------|
|               |                         | 1-100MHz                        | 1-30MHz | 30-40MHz | 40-50MHz | 50-80MHz     | 1-30MHz | 30-60MHz |
| LA1E109D-D2D2 | -1.0                    | -16                             | -13.5   | -11.5    | -10      | -30          | -25     | -20      |

Schematic

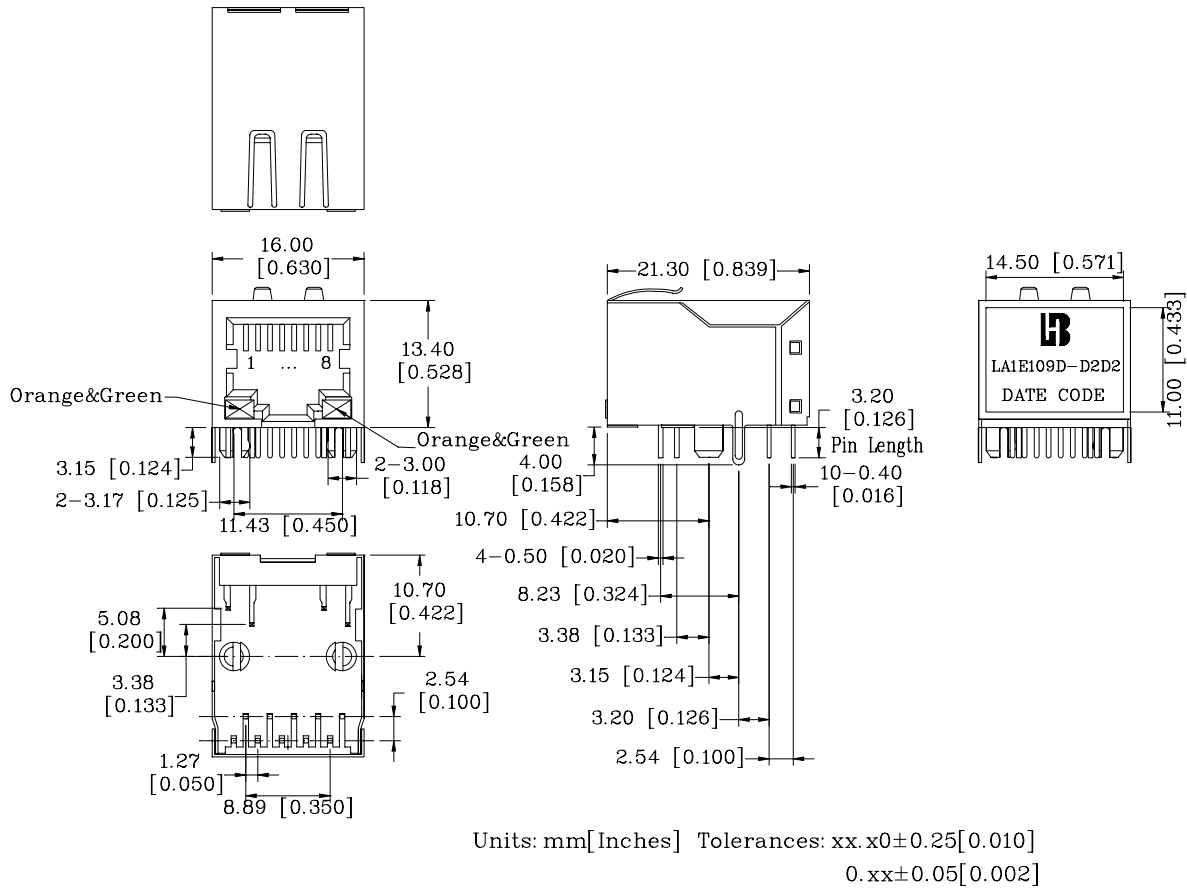


**“LAN-MATE” SERIES**

**SINGLE RJ45 CONNECTOR MODULE WITH INTEGRATED 1000 BASE-T MAGNETICS AND LEDS**

**P/N:LA1E109D-D2D2**

**Mechanical**



- 1. Plastic Material : Thermoplastic (UL 94V-0), Black Housing
- 2. Metal Shield : Brass, 20u inches thick Nickel
- 3. Spring Wire : Phosphor bronze with selective gold plating
- 4. Solder Pin : 0.4x0.4mm, Phosphor bronze with solder Plated
- 5. Durability : 300 Mating cycles Min.

**PCB Layout Mounting Hole(Top View)**

