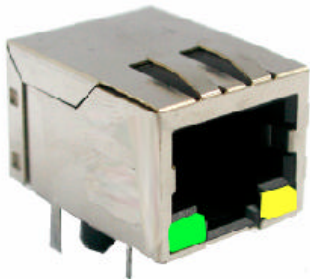


“LAN-MATE” SERIES

SINGLE RJ45 CONNECTOR MODULE WITH INTEGRATED 1000 BASE-T MAGNETICS AND LEDS

P/N:LA1E109D-D43 LF

Feature



- RJ-45 needs to be matched FCC standard
- Isolation @ 60Hz : Input to output:1500Vrms.
- Lead free for external pins.
- Comply with RoHS requirements-whole part No Cd, No Hg, No Cr6+, No PBB and PBDE and No Pb on external pins.
- Operating temperature range: 0 to +70 .
- Storage temperature range: -25 to +85 .
- Recommended panel

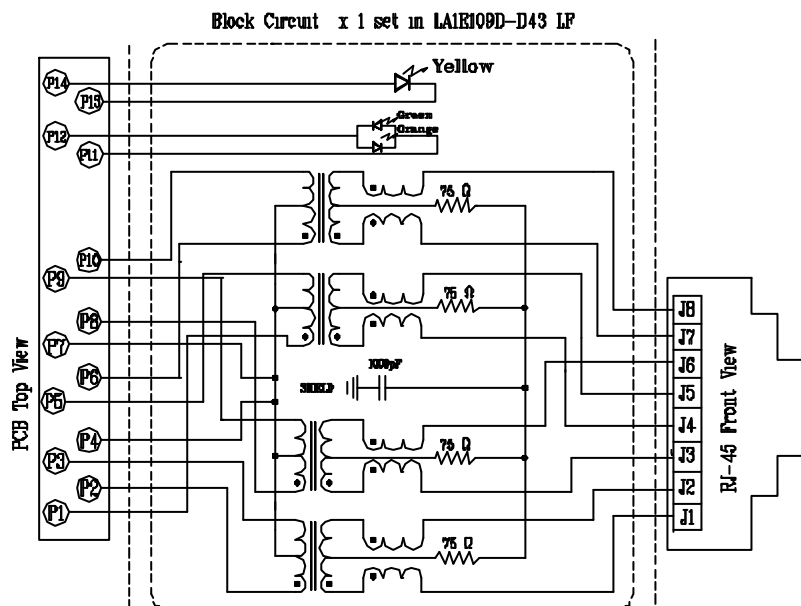
| Part Number | Standard LED | Forward*V(Max) | (TYP) |
|-------------|----------------|----------------|-------|
| 3 | YELLOW | 2.6V | 2.1V |
| D4 | GREEN & ORANGE | 2.6V | 2.2V |

*with a forward current of 20mA

| Electrical Specifications @ 25° C | | | | | | | |
|-----------------------------------|-------------------|---------|-------------------------------------------------|---------------------|----------|-----------|---------------|
| Part Number | Turns Ratio (±5%) | | OCL(uH Min) @100KHz/0.1V with 8mA DC Bias | Cross talk (dB Min) | | | HI-POT (Vrms) |
| | TX | RX | | 0.3-30MHz | 30-60MHz | 60-100MHz | |
| LA1E109D-D43 LF | 1CT:1CT | 1CT:1CT | 350 | -40 | -35 | -30 | 1500 |

| Continue | | | | | | | | |
|-----------------|-------------------------|---------------------------------|---------|----------|----------|--------------|---------|----------|
| Part Number | Insertion Loss (dB Max) | Return Loss (dB Min) @ Load 100 | | | | CMR (dB Min) | | |
| | | 1-100MHz | 1-30MHz | 30-40MHz | 40-50MHz | 50-80MHz | 1-30MHz | 30-60MHz |
| LA1E109D-D43 LF | -1.0 | -16 | -13.5 | -11.5 | -10 | -30 | -25 | -20 |

Schematic

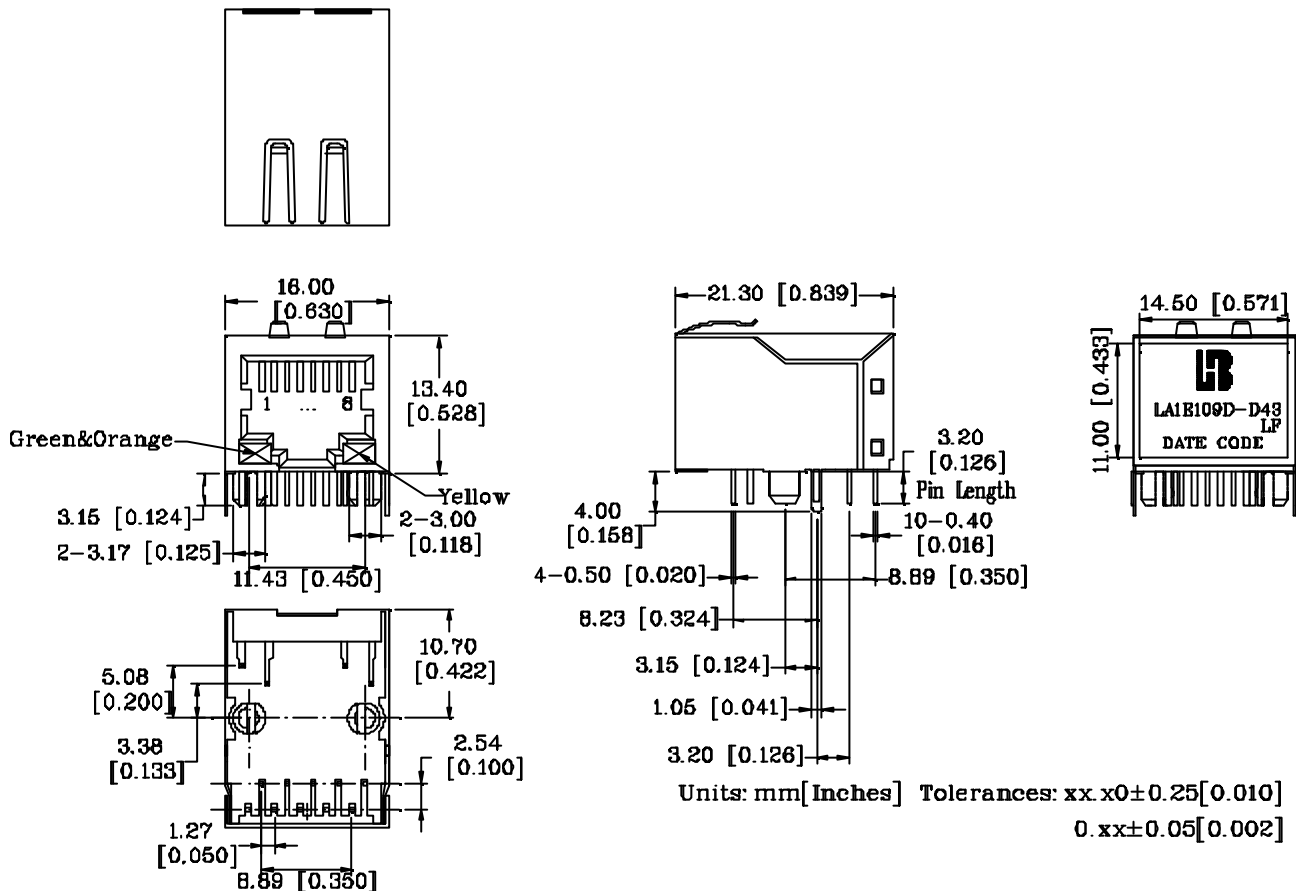


“LAN-MATE” SERIES

SINGLE RJ45 CONNECTOR MODULE WITH INTEGRATED 1000 BASE-T MAGNETICS AND LEDS

P/N:LA1E109D-D43 LF

Mechanical



- 1. Plastic Material : Thermoplastic (UL 94V-0), Black Housing
- 2. Metal Shield : Brass, 20u" inches thick Nickel
- 3. Spring Wire : Phosphor bronze with selective gold plating
- 4. Solder Pin : 0.4x0.4mm, Phosphor bronze with solder Plated
- 5. Durability : 750 Mating cycles Min.

PCB Layout Mounting Hole(Top View)

