



“LAN-MATE” SERIES

SINGLE RJ45 CONNECTOR MODULE WITH INTEGRATED 10/100 BASE-TX MAGNETICS AND LEDS

P/N: LU1T041A1-34 LF

Page: 1/2

Feature



- RJ-45 connector integrated with transformer/impedance resistor/high voltage capacitor.
- Size same as RJ-45 connector to save PCB board space.
- Reduced EMI radiation to improve EMI performance.
- Design for 10/100 BASE transmission over UTP-5 cable.
- Comply with RoHS requirements-whole part No Cd, No Hg, No Cr6+, No PBB and PBDE and No Pb on external pins.
- Operating temperature range: 0 to +70 .
- Storage temperature range: -25 to +85 .
- Recommended panel

Part Number	Standard LED	Forward*V(Max)	(TYP)
3	YELLOW	2.6V	2.1V
4	GREEN	2.6V	2.2V

\*with a forward current of 20mA

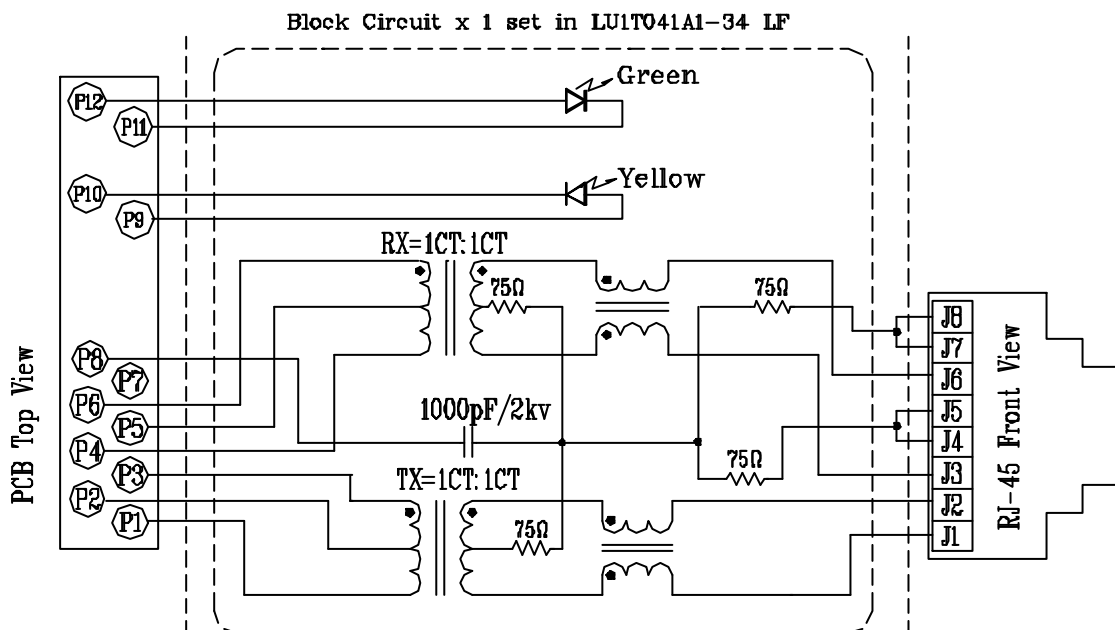
Electrical Specifications @ 25°C

Part Number	Turns Ratio (±3%) TX/RX	OCL (uH Min) @100KHz/0.1V with 8mA DC Bias	C <sub>www</sub> (pF Max)	L.L (uH Max)	CMR (dB Min)		
					1-30MHz	30-60MHz	60-125MHz
LU1T041A1-34 LF	1CT:1CT	350	28	0.4	-30	-25	-20

Continue

Part Number	Insertion Loss (dB Max)	Return Loss (dB Min)					Cross talk (dB Min)			HI-POT (V <sub>AC</sub> )
		0.3-100MHz	30MHz	40MHz	50MHz	60MHz	80MHz	0.3-30MHz	30-60 MHz	
LU1T041A1-34 LF	-1.15	-16	-14	-13.5	-13	-10	-40	-35	-30	1500

Schematic



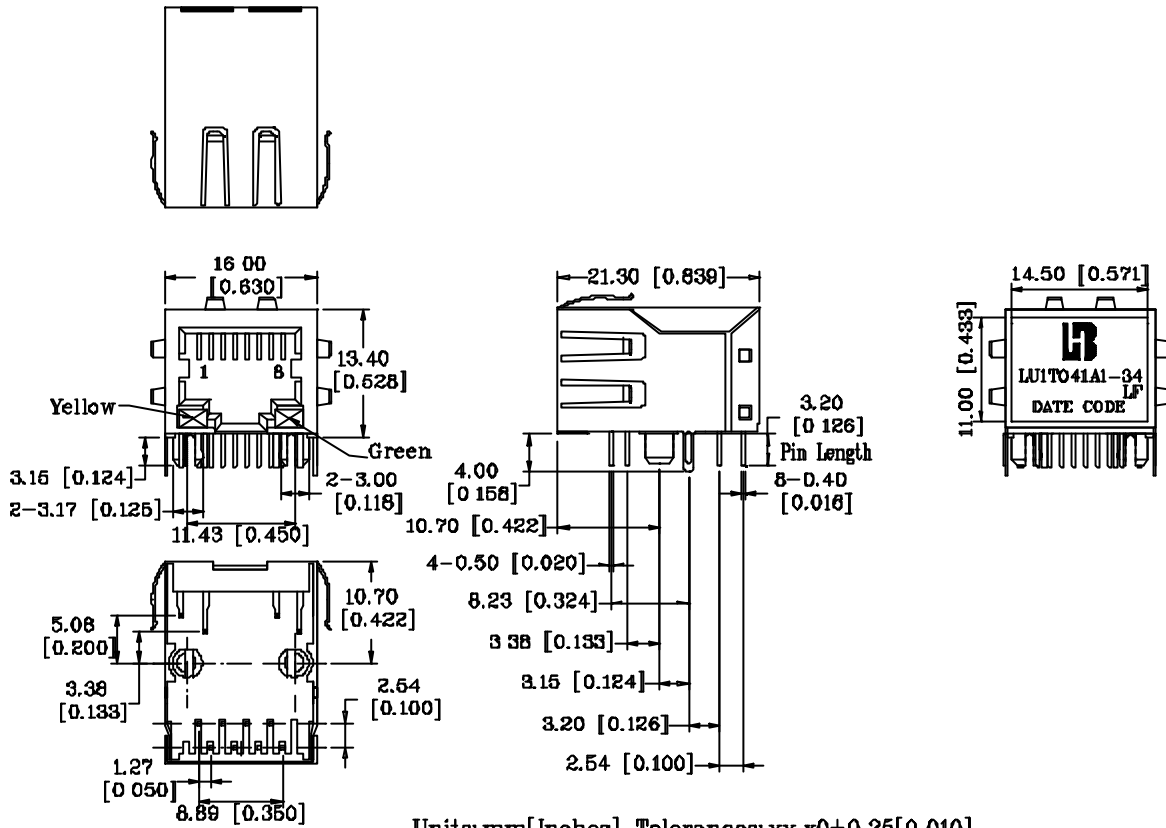


“LAN-MATE” SERIES

SINGLE RJ45 CONNECTOR MODULE WITH INTEGRATED 10/100 BASE-TX MAGNETICS AND LEDS

P/N: LU1T041A1-34 LF

Mechanical



Units: mm[Inches] Tolerances: xx.x0±0.25[0.010]  
0 xx±0.05[0.002]

- 1. Plastic Material : Thermoplastic (UL 94V-0), Black Housing
- 2. Metal Shield : Brass, 20u" inches thick Nickel
- 3. Spring Wire : Phosphor bronze with selective gold plating
- 4. Solder Pin : 0.4x0.4mm, Phosphor bronze with solder Plated
- 5. Durability : 750 Mating cycles Min.

PCB Layout Mounting Hole(Top View)

