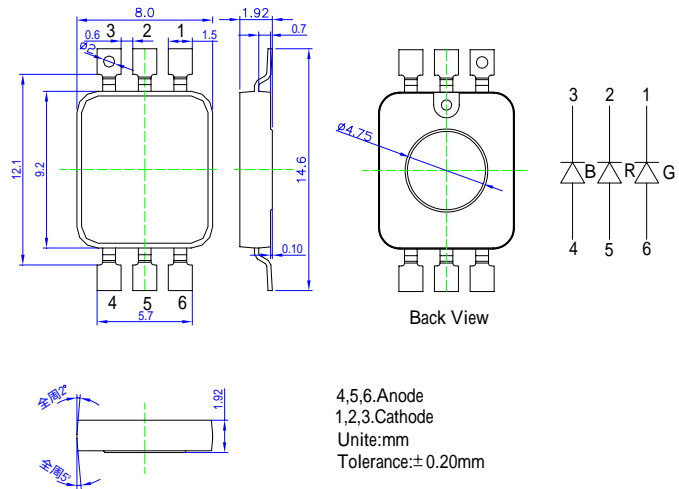


■Features

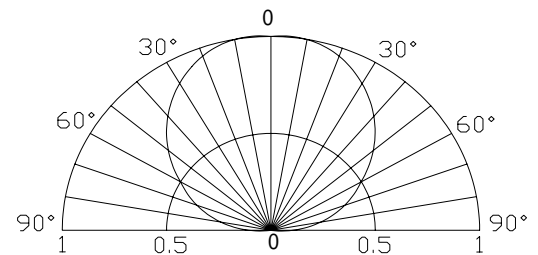
- Highest luminous flux
- Super energy efficiency
- Very long operating life (up to 100K hours)
- Superior ESD protection
- No UV

■Applications

- Toys
- Games
- Audio

■Outline Dimension

■Absolute Maximum Rating (Ta=25 °C)

Item	Symbol	Value		Unit
		Red	Green/Blue	
DC Forward Current	I_F	200	200	mA
Pulse Forward Current*	I_{FP}	250	250	mA
Reverse Voltage	V_R	5	5	V
Power Dissipation	P_D	600	800	mW
Operating Temperature	T_{opr}	-30 ~ +85		
Storage Temperature	T_{stg}	-40 ~ +100		
Lead Soldering Temperature	T_{sol}	260 /5sec		-

■Directivity


*Pulse width Max.10ms Duty ratio max 1/10

■Electrical -Optical Characteristics (Ta=25 °C)

Item	Symbol	Condition	Min.	Typ.	Max.	Unit
DC Forward Voltage	V_F (R)	$I_F=150mA$	2.0	2.5	3.0	V
	V_F (B/G)	$I_F=150mA$	3.0	3.3	4.0	V
DC Reverse Current	I_R	$V_R=5V$	-	-	10	μA
Domi. Wavelength	λ_D (Red)	$I_F=150mA$	619	624	629	nm
	λ_D (Green)	$I_F=150mA$	520	525	535	nm
	λ_D (Blue)	$I_F=150mA$	465	470	475	nm
Luminous Flux	v (Red)	$I_F=150mA$	-	20	35	lm
	v (Green)	$I_F=150mA$	-	30	45	lm
	v (Blue)	$I_F=150mA$	-	6	10	lm
50% Power Angle	$2\theta_{1/2}$	$I_F=150mA$	-	120	-	deg

Note: Don't drive at rated current more than 5s without heat sink for Commercial H Power emitter series.