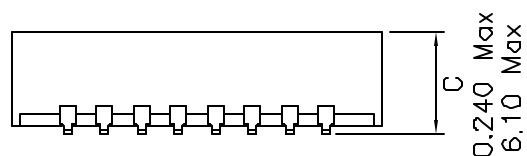
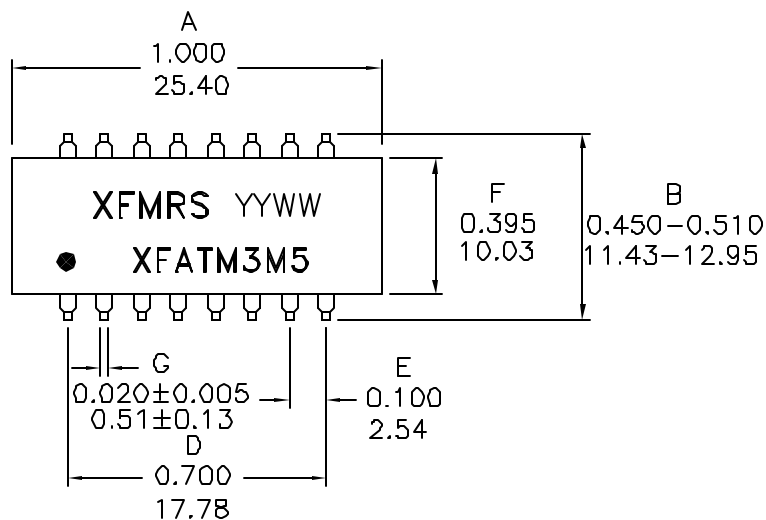
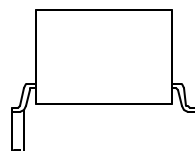


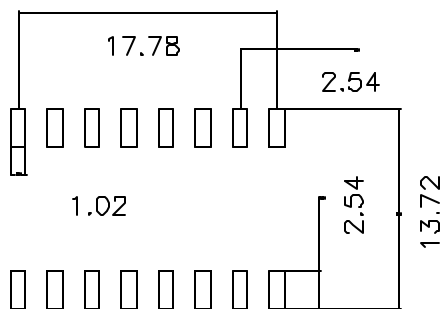
1. Dimensions:



CO-PLANARITY ± 0.004 Max
0.10 Max



0.89



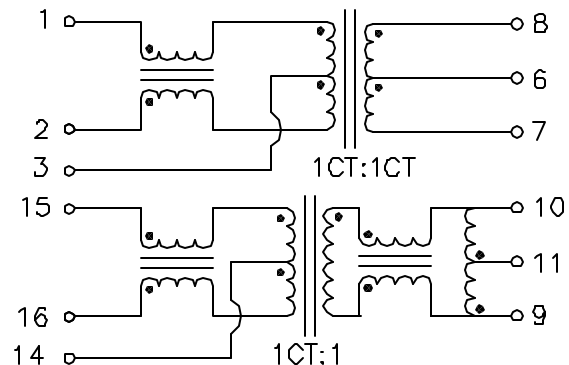
SUGGESTED FOOTPRINT

Notes:

1. Solderability: Leads shall meet MIL-STD-202, Method 208D for solderability.
2. Flammability: UL94V-0
3. ASTM oxygen index: > 28%
4. Insulation System: Class F 155°C. UL file E151556
5. Operating Temperature Range: All listed parameters are to be within tolerance from -40°C to +85°C
6. Storage Temperature Range: -55°C to +125°C
7. Aqueous wash compatible

Doc Rev: A/1

2. Schematic:



3. Electrical Specifications: @25°C

Isolation Voltage: 1500 Vrms

CHIP SIDE OCL: 350uH Minimum @100KHz 100mV 8mADC

Rise Time (10-90%): 2.5ns Typical

Insertion Loss @80MHz: -1.1dB Maximum

Return Loss: @60MHz -18dB Min.

Common Mode Rejection:

@50MHz -46dB Typ.(Tx) / -35dB Typ.(Rx)

@100MHz -42dB Typ.(Tx) / -33dB Typ.(Rx)

Crosstalk: @100MHz -38dB Min.

XFMRs Inc	Title: 100BASE-X MODULE		
	UNLESS OTHERWISE SPECIFIED TOLERANCES: .xxx ±0.010 Inch Dimensions in Inch/mm		SCALE 2:1 SHT 1 OF 1
P/N: XFATM3M5	REV. A		
DWN.	李小锋	Jun-01-04	
CHK.	廖玉坤	Jun-01-04	
APP.	BW	Jun-01-04	

PROPRIETARY

Document is the property of XFMRs Group & is not allowed to be duplicated without authorization.