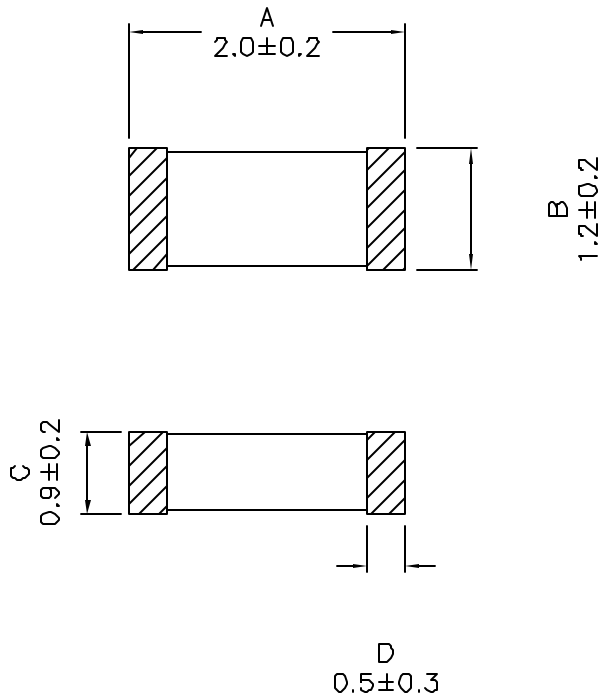


1. Mechanical Dimensions:



2. Electrical Specifications: @25°C

OCL: $4.7 \mu\text{H} \pm 30\%$ @1MHz

Q: tbd Min @1MHz

DCR: 0.30 Ohms Max

SRF: 35MHz Min

Idc: 30mA

Notes:

1. Solderability: Leads shall meet MIL-STD-202, Method 208D for solderability.
2. Flammability: UL94V-0
3. ASTM oxygen index: > 28%
4. Insulation System: Class F 155°C, UL file E151556
5. Operating Temperature Range: All listed parameters are to be within tolerance from -40°C to +85°C
6. Storage Temperature Range: -55°C to +125°C
7. Aqueous wash compatible
8. SMD Lead Coplanarity: $\pm 0.004"$ (0.102mm)
9. Moisture Sensitivity: Level 2

DOC REV: A/1

PROPRIETARY Document is the property of XFMRS Group & is not allowed to be duplicated without authorization.

XFMRS Inc.	Title: Multi Layer Chip Inductor		
	UNLESS OTHERWISE SPECIFIED TOLERANCES: N/A	P/N: XFEI201209-4R7N	REV. A
Dimensions in MM	DWN.	李小锋	Sep-07-04
	CHK.	廖玉坤	Sep-07-04
SHEET 1 OF 1	APP.	J Ng	Sep-07-04