



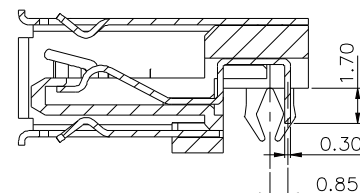
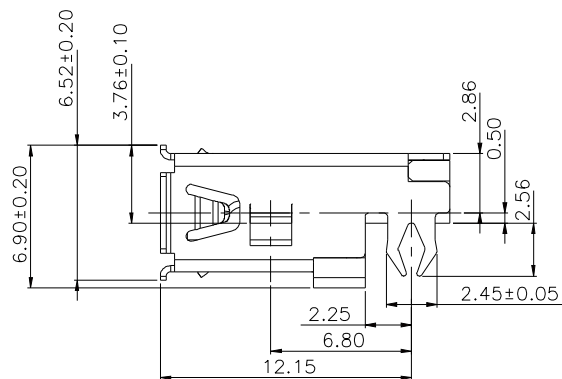
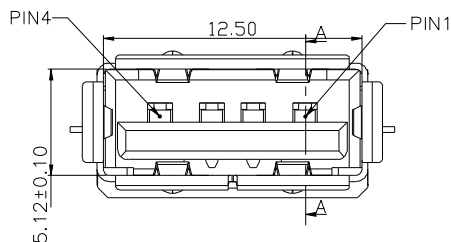
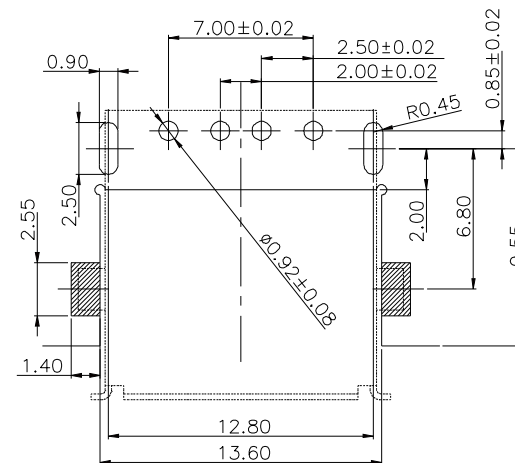
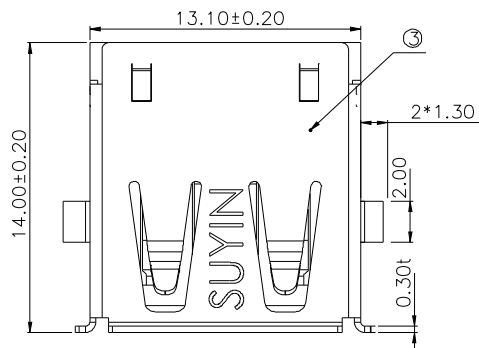
**RoHS Compliant**  
2002/95/EC  
**HSF**

Level-1 Controlled Substances are banned

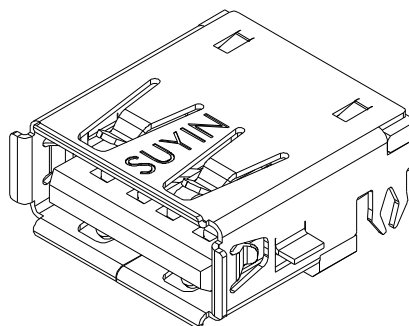
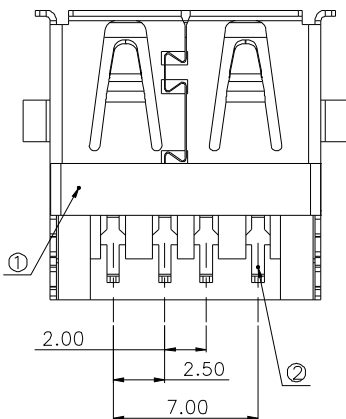
NOTES:  
020173MR004FX0KZL

- CONTACT PLATED:  
 F1-05u"MIN.GOLD OVER NICKEL.  
 50u"MIN.TIN IN SOLDER AREA.  
 F2-MIN.GOLD OVER NICKEL.  
 50u"MIN.TIN IN SOLDER AREA.  
 F3-10u"MIN.GOLD OVER NICKEL.  
 50u"MIN.TIN IN SOLDER AREA.  
 F4-15u"MIN.GOLD OVER NICKEL.  
 50u"MIN.TIN IN SOLDER AREA.  
 F5-30u"MIN.GOLD OVER NICKEL.  
 50u"MIN.TIN IN SOLDER AREA.  
 F6-50u"MIN.GOLD OVER NICKEL.  
 50u"MIN.TIN IN SOLDER AREA.

RECOMMENDED P.C.B LAYOUT (COMPONENT SIDE)  
 P.C.B THICKNESS=1.00mm(TOLERANCE=±0.05)  
 WITHOUT LOCKING FUNCTION



SECTION A-A



3	SHELL	METAL	——	NICKEL PLATED
2	TERMINAL	COPPER ALLOY	——	SELECTIVE GOLD/Tin
1	HOUSING	HIGE TEMP. PLASTIC	BLACK	UL 94V-0
NO.	DESCRIPTION	MATERIAL	COLOR	REMARK

**SUYIN**  
CONNECTOR

CUSTOMER COPY TITLE: USB CONN A DIP FEMALE TYPE

PART NO. 020173MR004FX0KZL

PRODUCT SPEC. 020173MR004XX0KXX

FILE NAME. D 020173MR004FX0KZL-C

SCALE 4:1 UNIT:mm A4 SHEET: 1of 2

Angle	±2°	DRAW	陳光	08'/07/15
30 ~	±0.50	DESIGN	陳光	08'/07/15
10 ~ 30	±0.30	CHECK	賀敏	08'/07/15
~ 10	±0.15	APPRO.	謝日倉	08'/07/15
GENERAL TOLERANCE UNLESS OTHERWISE NOTED				

Original: Draw: 王雷 Design: 王雷 Check: 劉小木 Appo: 許俊賢 發行日期 07/06/27

070627-BC351