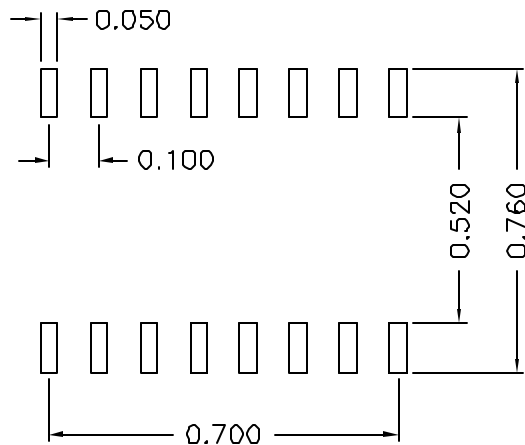
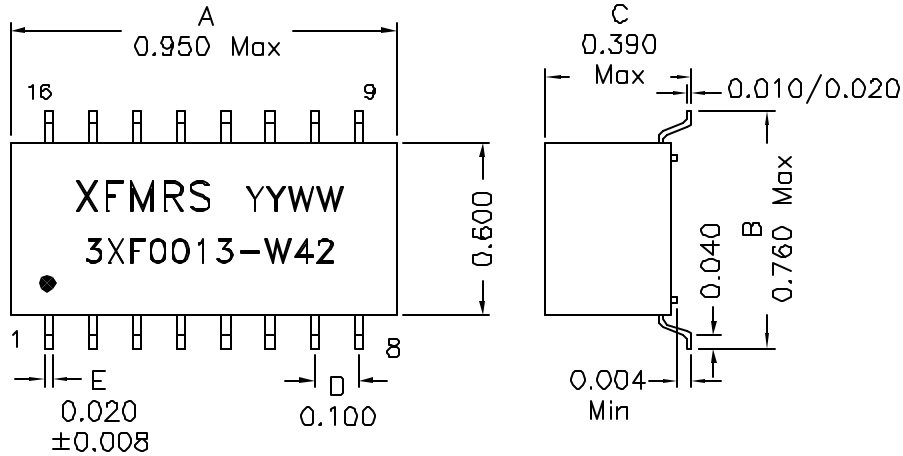
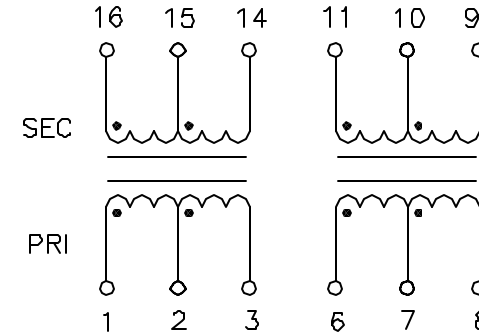


1. Dimensions:



SUGGESTED PCB LAYOUT

2. Schematic:



2. Electrical Specifications @25°C

Turns Ratio: (1-2-3):(16-15-14) = 1CT:1CT ±2%
 (6-7-8):(11-10-9) = 1CT:1.36CT ±2%
 DCL: P1-3, P6-8 1.2 mH Min @100KHz 0.1V
 Q: TBD Min @100KHz 0.1V
 LL: 1-3 ,6-8 0.55uH Max @100KHz 0.1V
 Cw/w: P1-16,P6-11 35pF Max @100KHz 0.1V
 DCR: Pins 1-3, 6-8, 0.25 Ohms Max
 Pins 9-11 0.60 Ohms Max
 Pins 14-16 0.45 Ohms Max
 HIPOT: 3000Vrms Pri to Sec

Notes:

- Solderability: Leads shall meet MIL-STD-202G, Method 208H for solderability.
- Flammability: UL94V-0
- ASTM oxygen index: > 28%
- Insulation System: Class F 155°C. UL file E151556
- Operating Temperature Range: All listed parameters are to be within tolerance from -40°C to +85°C
- Storage Temperature Range: -55°C to +125°C
- Aqueous wash compatible
- SMD Lead Coplanarity: ±0.004°(0.102mm)
- Electrical and mechanical specifications 100% tested
- RoHS Compliant Component

DOC. REV A/4

PROPRIETARY Document is the property of XFMRs Group & is not allowed to be duplicated without authorization.

XFMRs Inc www.XFMRs.com		Title: SMD TRANSFORMER FOR ISDN S-INTERFACE	
UNLESS OTHERWISE SPECIFIED TOLERANCES: .xxx ±0.010 Dimensions in Inch		P/N: 3XF0013-W42	REV. A
SHEET 1 OF 1		DWN.	Aug-14-08
		CHK.	Aug-14-08
		APP.	Aug-14-08