

D TYPE CONNECTORS LOW COST

- 15, 26, 44, 62, or 78 way
- Stamped & Formed Contacts
- Selective Gold Plated Contacts
- Tin Plated Metal Housing
- Low cost

HIGH DENSITY SOLDER BUCKET



SPECIFICATION

Mechanical:

Insulator: PBT +30% Glass Fibre
UL94V-0

Pin contacts: Phosphor Bronze
Gold Plated

Shell: Steel, SPCC
Nickel and Tin Plated

Electrical Data:

Rated Voltage: 350V AC

Rated Current: 5A

With stand Voltage: 500V AC(rms)

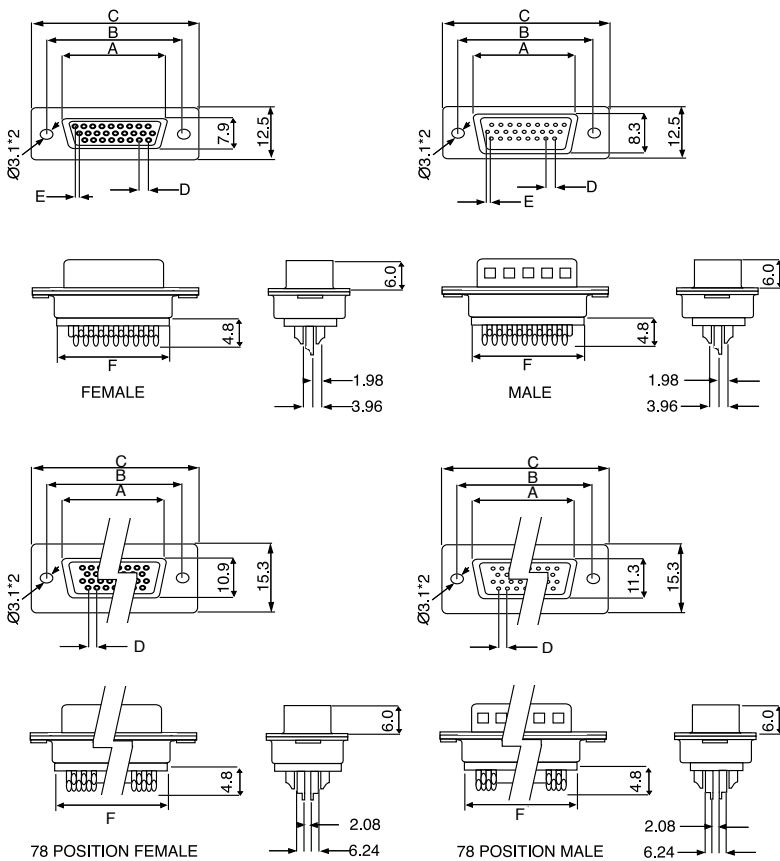
Insulation Resistance: Over 1000 MΩ

Contact Resistance: 5 MΩ at 1A

Temperature: -20°C to 100°C

OUTLINE DRAWING

SECTION 11



POSITION	A	B	C	D	E	F
15 F	16.30	25.00	30.8	2.29	1.14	19.2
26 F	24.60	33.30	39.2	2.29	1.14	27.7
44 F	38.30	47.10	53.1	2.29	1.14	41.1
62 F	54.80	63.50	69.4	2.41	1.20	57.3
78 F	52.2	61.00	67.0	2.41	-	55.1

POSITION	A	B	C	D	E	F
15 M	16.92	25.00	30.8	2.29	1.14	19.2
26 M	25.25	33.30	39.2	2.29	1.14	27.7
44 M	38.96	47.10	53.1	2.29	1.14	41.1
62 M	55.42	63.50	69.4	2.41	1.20	57.3
78 M	52.81	61.00	67.0	2.41	-	55.1

ORDERING INFORMATION

DBC	HD	F	SB	26	S
Dubilier Connectors	Series	Connector Type	Contact Style	N° of Ways	Contact Plating
	HD= High Density Stamped & Formed	M = Male F = Female	SB = Solder Bucket	15 = 15ways 26 = 26ways 44 = 44ways 62 = 62ways 78 = 78ways	S= Selective Plating