

ADSL Transformer

EPB5081G

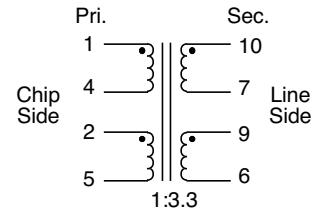
- Design for use with Conexant ADSL Chip Set •
- Designed to meet Supplementary Insulation Requirement •
of IEC950 for 250 VAC working Voltage
- Excellent THD Characteristic •
- Isolation : 2000Vrms •

Electrical Parameters @ 25° C

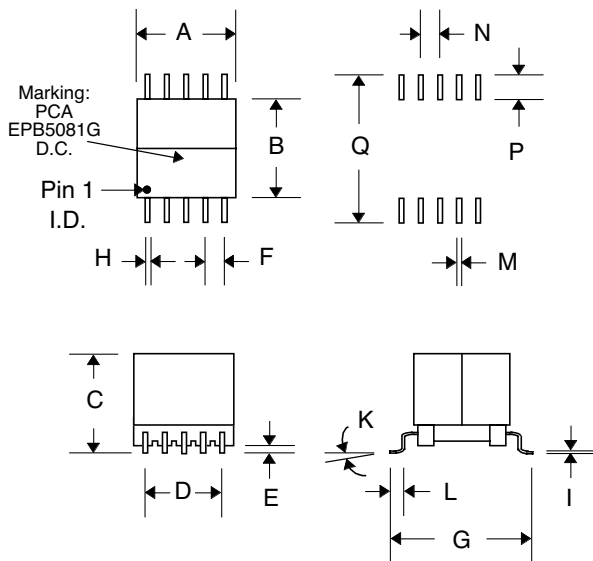
Line Side OCL ($\mu\text{H} \pm 5\%$)	Leakage Inductance (μH Max.)	Total Harmonic Distortion (dB Typ.)	Longitudinal Balance (dB Min.)	DCR (Ω Max.)	
				Pri.	Sec.
@ 10 KHz , 0.1 Vrms	@ 100 KHz, 0.1 Vrms	@30 KHz, 2.5 Vrms	30 KHz~1.1 MHz	Pri.	Sec.
800	10	-88	-50	0.4	1
Pins 10-6 w/7-9 shorted	Pins 10-6 w/ 7-9, 4-2, 1-5 shorted			Pins 1-5	Pins 10-6

• Characteristics Line Side Impedance : 100 Ω •

Schematic



Package



Dimensions

Dim.	(Inches)			(Millimeters)		
	Min.	Max.	Nom.	Min.	Max.	Nom.
A	.490	.530	.512	12.45	13.46	13.00
B	.506	.516	.510	12.85	13.11	12.95
C	.460	.480	.470	11.68	12.19	11.94
D	.395	.405	.400	10.03	10.29	10.16
E	.005	.015	.010	.127	.381	.254
F	.095	.105	.100	2.41	2.67	2.54
G	.665	.675	.670	16.89	17.15	17.02
H	.026	.030	.028	.660	.762	.711
I	.010	.014	.012	.254	.356	.305
K	0°	8°	---	0°	8°	---
L	.029	.049	.039	.737	1.25	.991
M	---	---	.051	---	---	1.29
N	---	---	.098	---	---	.249
P	---	---	.100	---	---	2.54
Q	---	---	.700	---	---	17.78