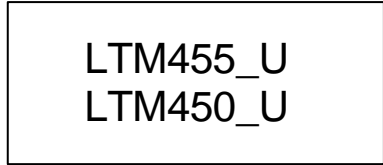


LTM455_U & LTM450_U Series Ceramic Filter

LTM455_U and LTM450_U series ceramic filters are widely used in telecommunication, cable, radar, TV set, tape recorder, video camera and other electronic products due to its lower price and stable performances.



Specifications:

Frequency Range (fc):

LTM455_U Series:	455KHz
LTM450_U Series:	450KHz

Operating Temperature:	-20°C ~ +80°C	Standard
------------------------	---------------	----------

Storage Temperature:	-40°C ~ +85°C
----------------------	---------------

6dB Bandwidth and Attenuation Bandwidth:		
B:	± 15KHz	± 30KHz
C:	± 12.5KHz	± 24KHz
D:	± 10KHz	± 20KHz
E:	± 7.5KHz	± 15KHz
F:	± 6KHz	± 12.5KHz
G:	± 4.5KHz	± 10 KHz
H:	± 3KHz	± 9KHz
I:	± 2KHz	± 7.5KHz

Attenuation Specified:	40dB min
------------------------	----------

Stop Band Attenuation:	27dB min (B,C,D,E,F)
at fc ± 100KHz	25dB min (G,H,I)

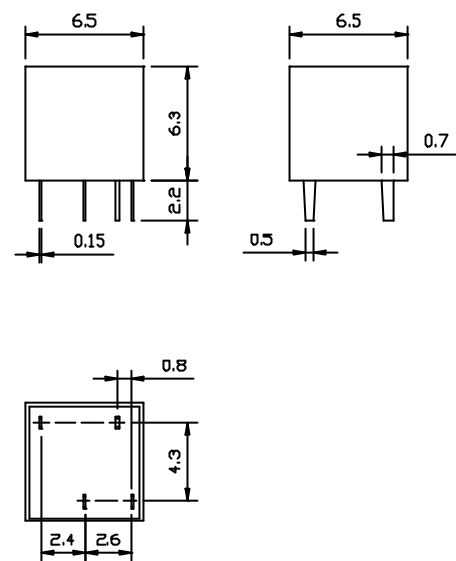
Insertion Loss:	4.0dB max (B,C,D)
	6.0dB max (E,F,G,H,I)

Input/Output Impedance:	1.5KΩ (B,C,D,E)
	2.0KΩ (F,G,H,I)

Note:

1. Other frequencies, bandwidth ranges available. Consult VTC Support for specific requirements.
2. Not all combinations of the above bandwidth ranges are available. Consult VTC Support if your requirement is not standard.
3. All specifications subject to change without notice.

LTM_U Series



All dimensions are in mm

Ordering Information

Product name + Frequency + Bandwidth Code.

i.e. LTM455BU