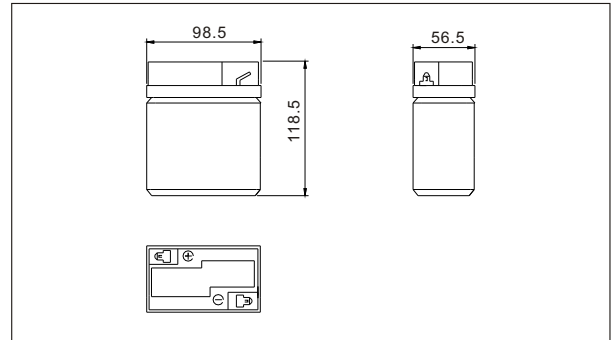




SW690(6V9.0AH)



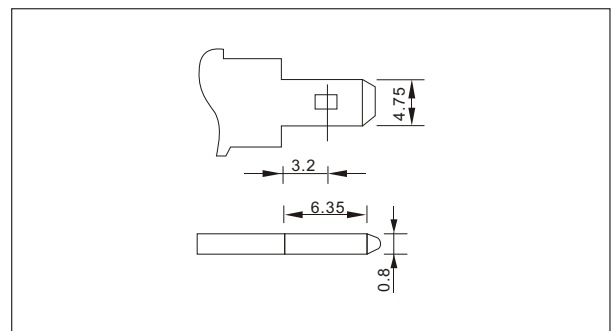
● Outer dimensions (mm)



● Specifications

Nominal Voltage	6 V	
Rated capacity (20 hour rate)	9.0 Ah	
Dimensions	Total Height	118.5 mm(4.67 inches)
	Height	118.5mm(4.67inches)
	Length	98.5 mm(3.88 inches)
	Width	56.5 mm(2.22 inches)
Weight Approx	1.50 Kg(3.30lbs)	

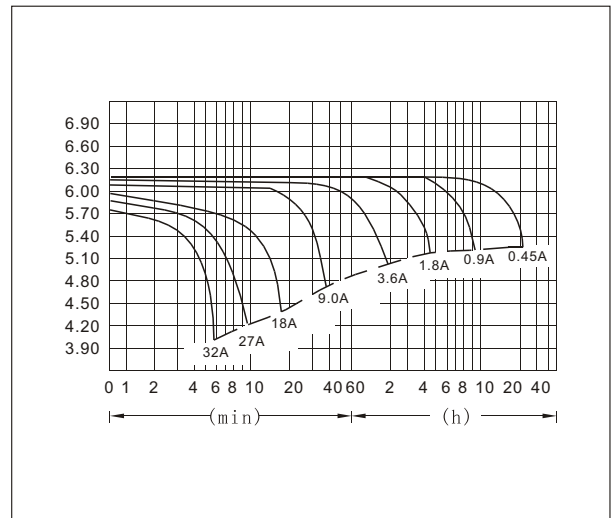
● Terminal Type (mm)



● Characteristics

Capacity 25°C(77°F)	20 hour rate(0.45A)	9.00 AH
	10 hour rate(0.83A)	8.30 AH
	5 hour rate(1.50A)	7.50 AH
	1 hour rate(5.40A)	5.40 AH
1.5 hour discharge to 5.25 V		3.6 A
Internal Resistance	Full charged Battery at 25°C(77°F) 11 m Ω	
Capacity affected by Temperature (20hour rate)	40°C(104°F)	102%
	25°C(77°F)	100%
	0°C(32°F)	85%
	-15°C(5°F)	65%
Self-Discharge at 25°C(77°F)	Capacity after 3 month storage	91%
	Capacity after 6 month storage	82%
	Capacity after 12 month storage	64%
Terminal	T1	
Charge (constant Voltage)	Cycle	Initial Charging Current less than 3.6 A Voltage 7.20-7.35 V
	Float	Voltage 6.75-6.90 V

● Discharge Curves 25°C(77°F)



Constant Current(Amp) and Constant Power(Watt) Discharge Table at 25°C(77°F)

Time		5min	10min	15min	30min	1h	2h	3h	4h	5h	8h	10h	20h
4.80V	A	32.4	21.2	15.8	10.4	5.4	3.15	2.32	1.86	1.58	1.04	0.85	0.47
	W	168	114	84	55.7	29.3	17.3	12.90	10.46	8.98	5.98	4.91	2.70
5.10V	A	29.7	20.3	14.5	9.8	5.1	3.02	2.25	1.80	1.55	1.02	0.84	0.45
	W	160	114	81	55.1	28.7	17.4	13.03	10.46	9.02	5.98	4.91	2.66
5.25V	A	27.0	19.0	13.5	9.5	4.9	2.96	2.21	1.71	1.54	1.01	0.83	0.45
	W	149	108	77	54.8	28.3	17.2	12.88	10.01	8.96	5.96	4.89	2.66
5.40V	A	26.0	18.2	12.6	9.3	4.7	2.89	2.18	1.68	1.46	0.99	0.81	0.44
	W	146	105	73	53.6	27.6	16.9	12.83	9.92	8.64	5.85	4.80	2.61
5.55V	A	24.0	17.1	11.7	9.0	4.6	2.81	2.06	1.65	1.40	0.96	0.79	0.43
	W	136	99	68	52.7	26.8	16.6	12.24	9.83	8.34	5.76	4.76	2.59