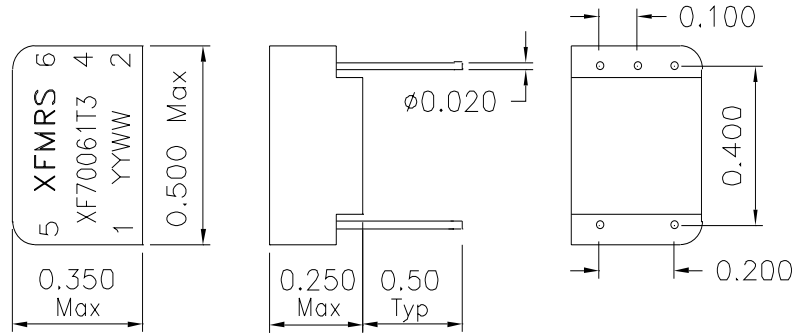
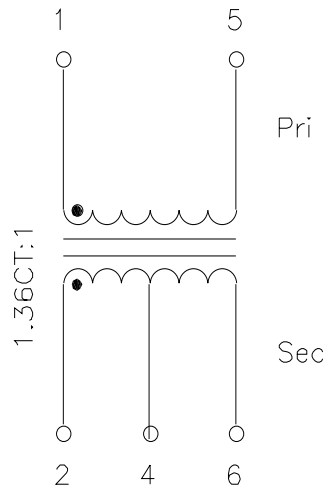


1. Dimensions:



Unused pins not provided.

2. Schematic:



3. Electrical Specifications: @25°C

Isolation Voltage: 1500Vrms

Turns Ratio: 1:1.36CT ±2% (Pri-Sec)

PRI OCL: 700uH Minimum @100KHz 50mV

Leakage Inductance: 0.70uH Maximum @100KHz 50mV

Cw/w: 20pF Maximum @100KHz 50mV

PRI DCR: 0.50 ohms Maximum (PINS 1-5)

SEC DCR: 0.40 Ohms Maximum (PINS 2-6)

DOC. REV. A/1

XFMRS Inc	Title: T1/CEPT/ISDN-PRI TRANSFORMERS		
	UNLESS OTHERWISE SPECIFIED TOLERANCES: .xxx ±0.010 Dimensions in Inch		P/N: XF70061T3
	DWN.	廖玉坤	Jan-19-00
	CHK.	李清儿	Jan-19-00
	APP.	Joe Huff	Jan-19-00