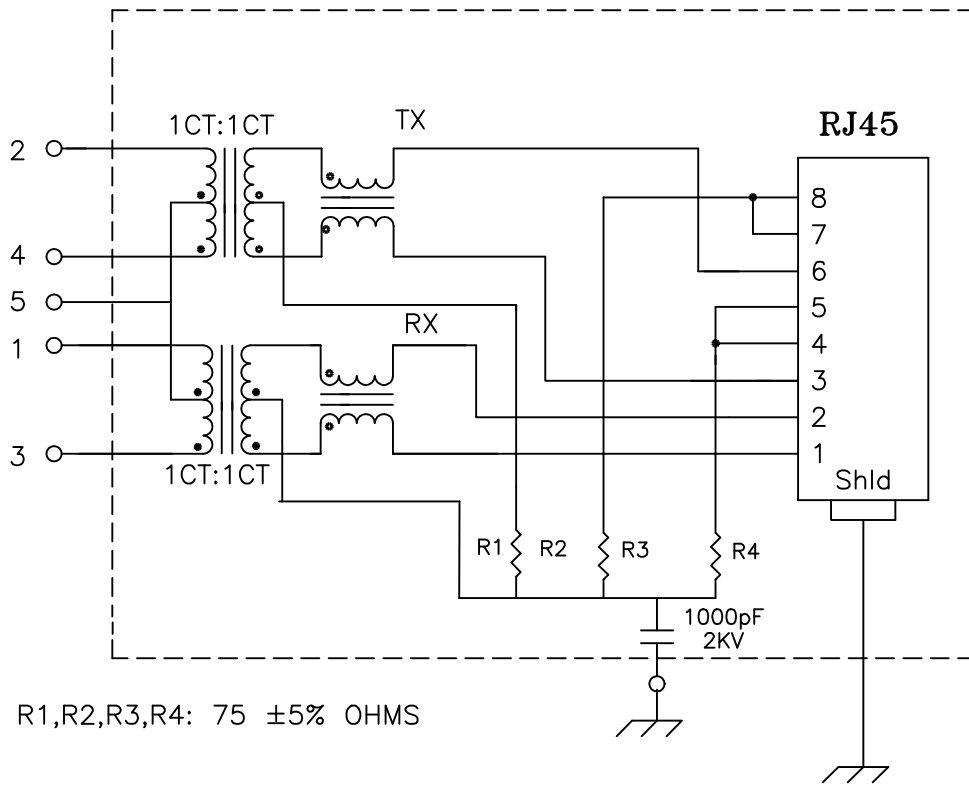


**Schematic: (one of twelve)**



**Electrical Specifications: @25°C**

Isolation Voltage: 1500 Vrms (Input to Output)  
 Isolation Voltage: 500 Vrms (P1+2+3 to P4+5+6)  
 Turns Ratio: TX 1CT:1CT ±3% RX 1CT:1CT ±3%  
 CABLE SIDE OCL: 350uH Minimum @100KHz 100mV 8mADC  
 Cw/w: 27pF Typical @100KHz 100mV  
 Insertion Loss (300KHz-100MHz): -1.0dB Maximum  
 Return Loss: @30MHz -18dB Minimum  
 @80MHz -12dB Minimum

**Notes:**

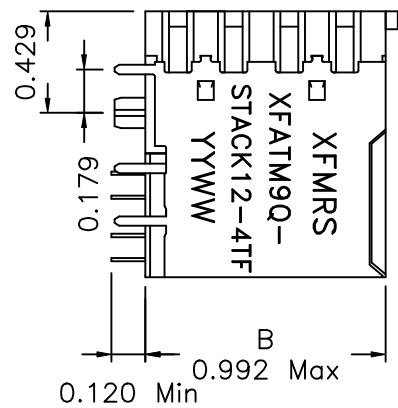
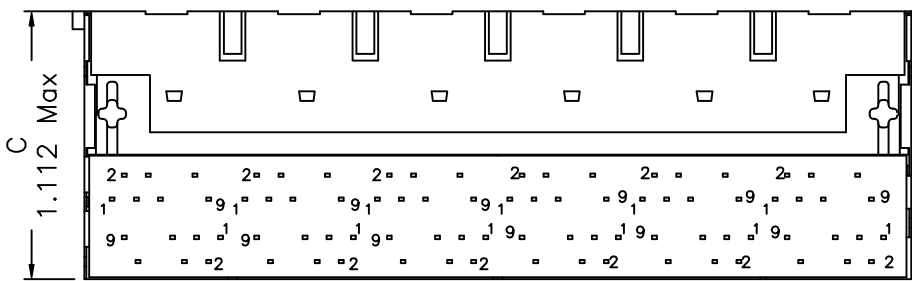
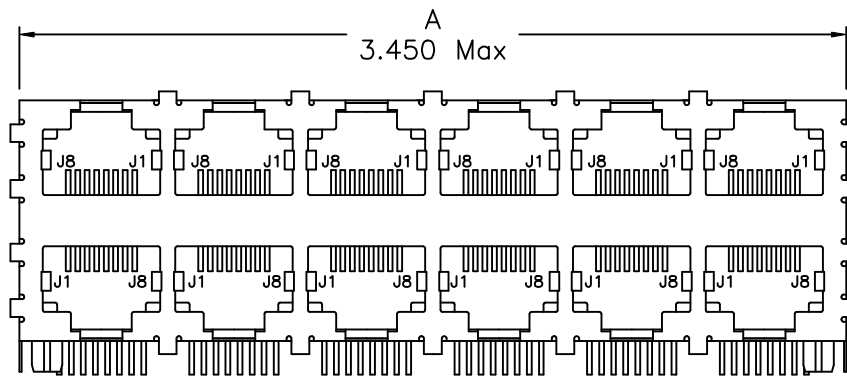
1. Solderability: Leads shall meet MIL-STD-202, Method 208D for solderability.
2. Flammability: UL94V-0
3. ASTM oxygen index: > 28%
4. Insulation System: Class F 155°C. UL file E151556
5. Operating Temperature Range: All listed parameters are to be within tolerance from -40°C to +85°C
6. Storage Temperature Range: -55°C to +125°C
7. Aqueous wash compatible

**PRELIMINARY**

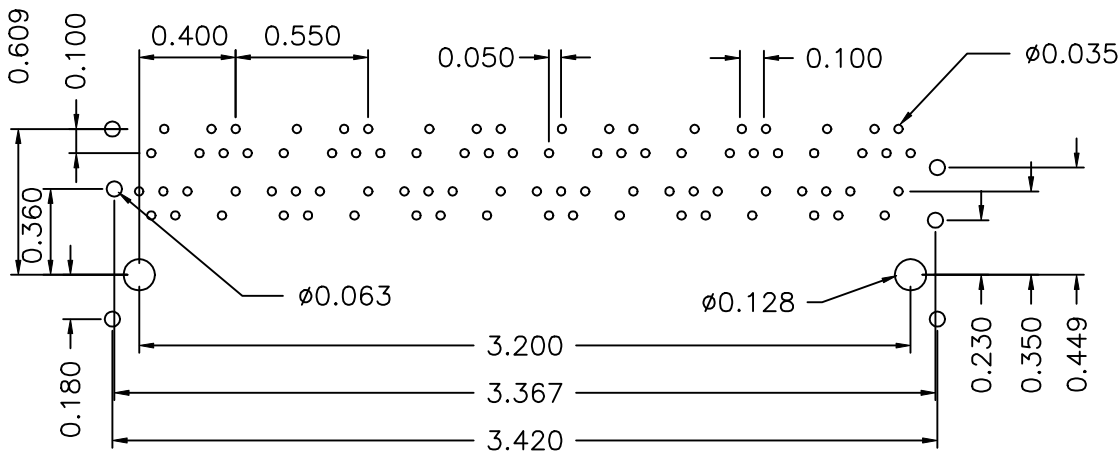
DOC. REV: A/1

<b>XFMRs Inc.</b>	Title: <b>2X6 PORT COMBO</b>		
	UNLESS OTHERWISE SPECIFIED		P/N: XFATM9Q-STACK12-4TF
	TOLERANCES: .xxx ±0.010		REV. A
	Dimensions in Inch		DWN. 刘鹏 Feb-07-03
SHEET 1 OF 2	APP. 李小锋		Feb-07-03
	APP. <b>BW</b>		Feb-07-03

# Mechanical Dimensions:



Remove Pins: 6, 7, and 10  
Remove Rear Shield Ground Tabs



SUGGESTED MOUNTING PATTERN (COMPONENT SIDE)

**PRELIMINARY**

DOC. REV. A/1

<b>XFMRs Inc.</b>	Title: Mechanical Dimensions For 2x6 STACKED COMBO Series		
	UNLESS OTHERWISE SPECIFIED TOLERANCES: .xxx ±0.010 Dimensions in Inch	P/N: XFATM9Q-STACK12-4TF	REV. A
SHEET 2 OF 2	DWN.	刘 鹏	FEB-07-03
	CHK.	李小锋	FEB-07-03
	APP.	BW	FEB-07-03