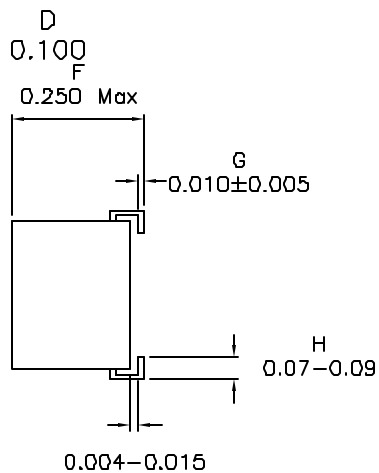
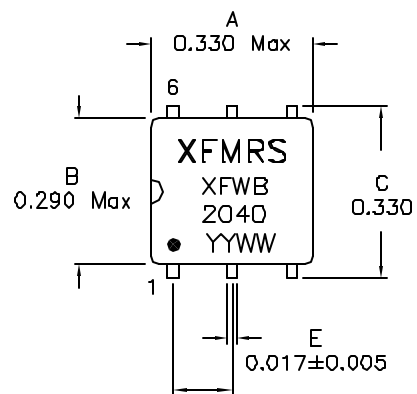


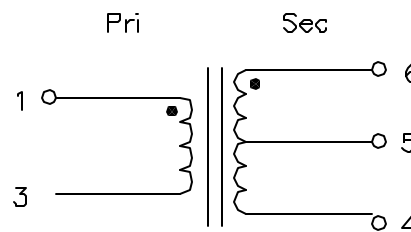
### 1. Mechanical Dimensions:



**Note:**

1. Solderability: Leads shall meet MIL-STD-202, Method 208D for solderability.
2. Flammability: UL94V-0,
3. ASTM oxygen index: > 28% ,
4. Temperature rating: 155°C. UL file E151556,
5. Operating Temperature Range: -40°C to +85°C

### 2. Schematic:



### 3. Electrical Specifications:

Impedance Ratio: Pri:Sec 1:4 ±2%  
 Insertion Loss: 0.80-250MHz 1dB Typ  
 Insertion Loss: 0.25-350MHz 2dB Typ  
 Insertion Loss: 0.15-400MHz 3dB Typ  
 OCL: P1-3 25 uH Min @100KHz, 50mV  
 RDC: P1-3 0.115 Ohms Max  
 OCL: P6-4 95 uH Min @100KHz, 50mV  
 RDC: P6-4 0.16 Ohms Max

PRELIMINARY

DOC. REV. A/2

UNLESS OTHERWISE SPECIFIED TOLERANCES: .xx ±0.010 Dimensions in Inch	<b>XFMR5 Inc</b>		Title: RF TRANSFORMER	
	P/N: XFWB2040		REV. A	
	DWN.	李小锋	Jun-25-02	
	CHK.	廖玉坤	Jun-25-02	
SHEET 1 OF 1	APP.	Isaiah M	Jun-25-02	