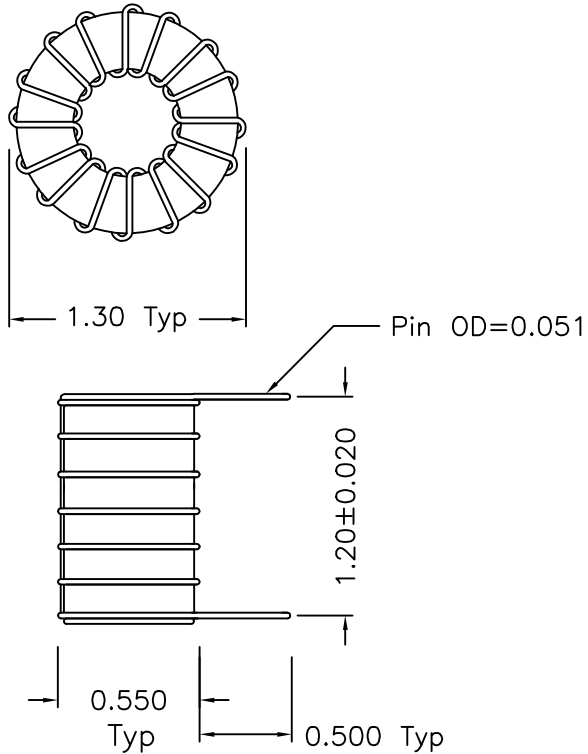


1. Mechanical Dimensions:



2. Schematic:



3. Electrical Specifications: @25°C

OCL: 73.0uH±15% @10KHz 0.1V

DC Resistance: 0.020 Ohms Maximum

OCL: 50uH Typical @ 6ADC

WINDING DETAIL:

STRIP AND TIN TO MOUNT PLAIN
 VARNISH REQUIRED
 NO MARKINGS REQUIRED
 EPOXY LEADS IN PLACE

DOC. REV: A/1

THIS DOCUMENT IS STRICTLY NOT ALLOWED TO BE DUPLICATED WITHOUT AUTHORIZATION

XFMRs Inc	Title: HORIZONTAL OPEN TOROID		
	UNLESS OTHERWISE SPECIFIED	P/N: 3XF0075-HO	REV. A
TOLERANCES: .xxx ±0.020	DWN.	李清儿	Mar-14-00
Dimensions in INCH	CHK.	孙小松	Mar-14-00
SHEET 1 OF 1	APP.	Joe Huff	Mar-14-00