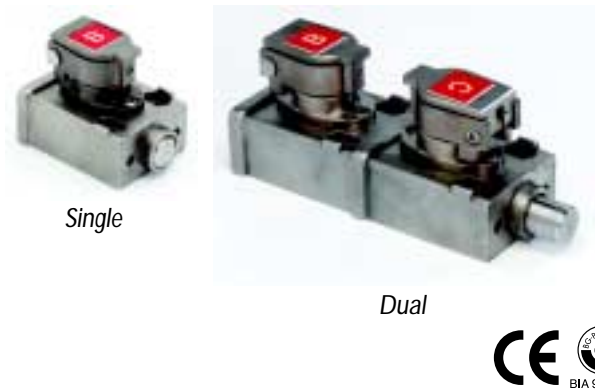


## Prosafe Trapped Key Interlock Switches

### Bolt Interlocks



Single

Dual



### Description

The bolt interlocks are designed to allow access to hazardous areas when an appropriate key is inserted into the interlock. These bolt interlocks are manufactured in 316L stainless steel to provide a rugged, industrial grade method of helping prevent access through gates.

One advantage of the bolt interlocks is that there is no need to run power wires to the gate. Power is disconnected by a trapped key rotary switch on a control panel and the key is then hand-carried to the gate by the operator.

The Single Bolt interlock (SBL) is designed to be used to access hazardous areas where partial body exposure is required. The SBL is not shipped with a key. If two keys are needed for partial body access, select the Dual Bolt interlock (DBL) that requires both keys to be trapped to operate. This version of the DBL does not include the keys.

When whole body access is needed, the DBL, with one primary key and one secondary trapped key (included) should be used. The secondary key serves the function of a personnel key. This DBL allows the operator to carry the personnel key into the hazardous area. When the operator returns from the hazardous area and returns the personnel key to the DBL, the locking sequence can be reversed and the process re-started.

### Features

- 316L Stainless steel construction
- Single or dual key units
- Various extensions of bolt
- Direct drive push/pull operation
- Replaceable code barrel assembly
- Fitted with tamper resistant screws
- Weatherproof stainless steel dust cap as standard

### The Prosafe Advantage



Stainless steel construction.

### Specifications

Standards	EN292-1&2, EN1088, ISO12100-1&2, ISO14119, AS4024.1	
Category	Cat. 1 per EN 954-1 (ISO 13849-1) Suitable for Cat. 2, 3, or 4 systems	
Approvals	BG, CE marked for all applicable directives and C-Tick not required	
Operating Temperature	-40°C to +200°C (-40°F to +392°F)	
Mechanical Operations	100,000	
Max. Shear Force to Key	15.1kN (3398lbs)	
Max. Torque to Key	14Nm (124lb•in)	
Humidity	95% RH	
Weight	(SBL) 0.60kg (1.32lbs) (DBL) 1.10kg (2.43lbs)	
Material	316L Stainless Steel	
Mounting	SBL	2 x M5 Counterbored from Top or 2 x M5 from Underside with M5 Nuts
	DBL	4 x M5 Counterbored from Top or 4 x M5 from Underside with M5 Nuts
Bolt	15mm (0.59in) Ø	

## Product Selection

Type	Trapped Condition	Bolt Retracted—mm (inches)	Bolt Extended—mm (inches)	Catalogue Number
Single Key	Key Trapped to Bolt Retract	0	14 (0.55)	440T-MSBLE10 <sup>❶</sup>
		3 (0.11)	17 (0.66)	440T-MSBLE11 <sup>❶</sup>
		6 (0.23)	20 (0.78)	440T-MSBLE12 <sup>❶</sup>
		12 (0.47)	27 (1.06)	440T-MSBLE13 <sup>❶</sup>
Dual Key	Both Keys Trapped to Retract Bolt	0	14 (0.55)	440T-MDBLE10 <sup>❶❷</sup>
		3 (0.11)	17 (0.66)	440T-MDBLE11 <sup>❶❷</sup>
		6 (0.23)	20 (0.78)	440T-MDBLE12 <sup>❶❷</sup>
		13 (0.51)	27 (1.06)	440T-MDBLE13 <sup>❶❷</sup>
	Primary Key Trapped, Secondary Key Free to Retract Bolt	0mm	14 (0.55)	440T-MDBLE14 <sup>❶❷</sup>
		3 (0.11)	17 (0.66)	440T-MDBLE15 <sup>❶❷</sup>
		6 (0.23)	20 (0.78)	440T-MDBLE16 <sup>❶❷</sup>
		13 (0.51)	27 (1.06)	440T-MDBLE17 <sup>❶❷</sup>

❶ Substitute the desired primary code for this symbol (key not included). See page 5-6 for code selection.

❷ Substitute the desired secondary code for this symbol (key included). See page 5-6 for code selection.

## Accessories

Description	Page Number	Catalogue Number
Replacement Key	5-33	440T-AKEYE10 <sup>⊗</sup>
Replacement Code Barrel		440T-ASCBE14 <sup>❶</sup>
Replacement Dust Cap		440T-ASFC10 <sup>⊗</sup>

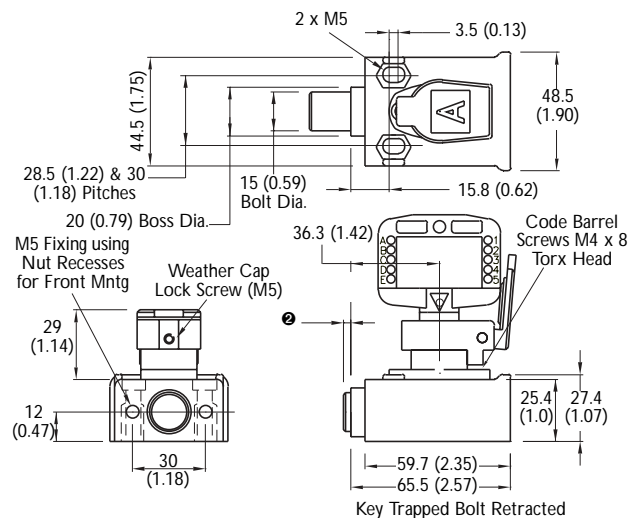
❶ Substitute the desired primary code for this symbol (key not included). See page 5-6 for code selection.

⊗ Substitute the desired code for this symbol. See page 5-6 for code selection.

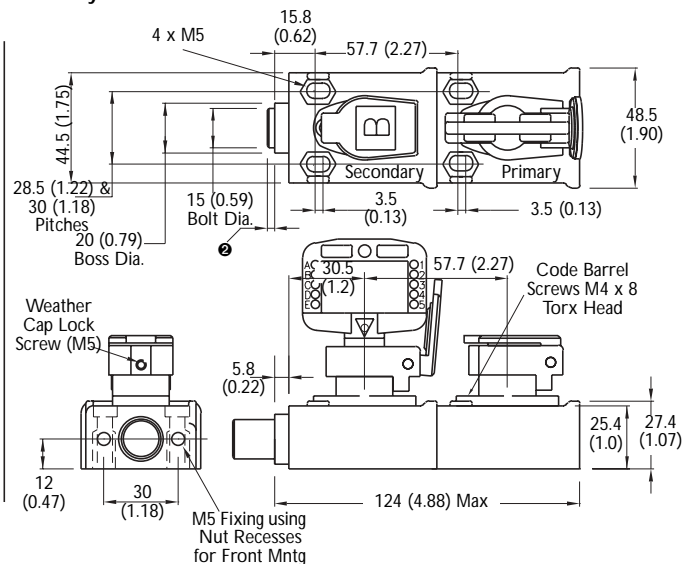
## Approximate Dimensions—mm (inches)

Dimensions are not intended to be used for installation purposes.

### Single Key Bolt Interlock



### Dual Key Bolt Interlock



❷ Standard Retracted Projections 0, 3, 6 & 13 (0, 0.11, 0.23 & 0.51) Extension 14 (0.55)