

# TTL/CMOS VOLTAGE CONTROLLED CRYSTAL OSCILLATOR



## ACVX1222



20.8 x 13.2 x 5.08 mm

### FEATURES:

- 14-Pin DIP 5V
- 5.08mm in height
- Large frequency pulling available
- Tight symmetry (45/55%) available
- Good linearity

### APPLICATIONS:

- PLLs
- Clock recovery
- Reference signal tracking
- Synthesizers

### STANDARD SPECIFICATIONS:

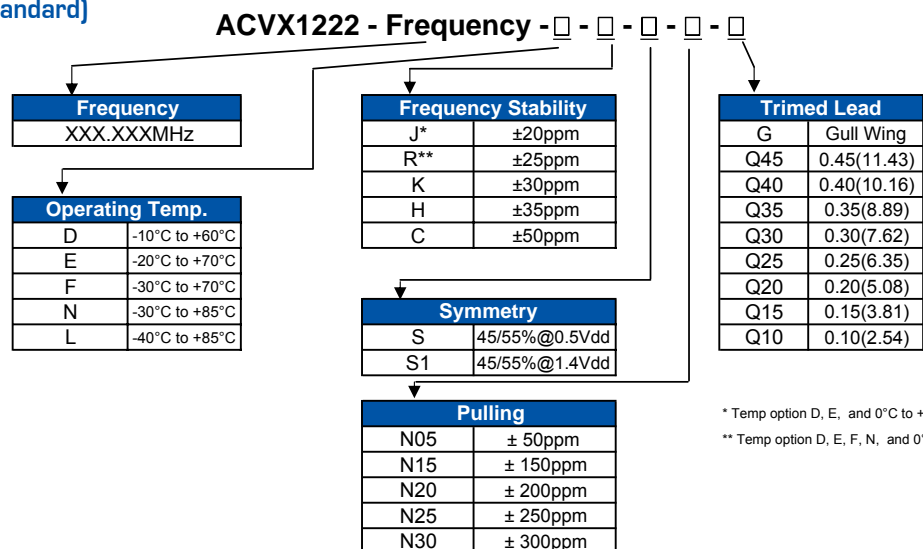
PARAMETERS	
Abracon P/N:	<b>ACVX1222 Series</b>
Frequency range:	<b>1.0MHz to 200.0MHz</b>
Operating temperature:	<b>0° C to + 70° C (see options)</b>
Storage temperature:	<b>-40° C to + 85° C</b>
Frequency Stability vs. Temperature:	<b>± 100ppm max. (see options)</b>
Frequency Stability vs. Aging:	<b>± 5ppm/year max.</b>
Frequency Stability vs. Supply Voltage:	<b>± 5ppm max.</b>
Supply Voltage (Vdd):	<b>5.0 Vdc ±5%</b>
Supply Current (Idd):	<b>See Table 1</b>
Symmetry:	<b>40/60% max. @ 1/2 Vdd (see option)</b>
Rise and Fall Time (Tr/Tf):	<b>10ns max.</b>
Output Load:	<b>TTL/CMOS (10TTL or 15pF gate)</b>
Output Voltage:	<b>VOH=0.9*Vdd min. VOL=0.4 V max.</b>
Transfer Function:	<b>Positive</b>
Control Voltage (Vcc):	<b>0.5Vdc to 4.5Vdc</b>
Center Voltage:	<b>2.5 VDC ± 0.5V</b>
Frequency Deviation:	<b>± 100 ppm min. (see options)</b>
Linearity:	<b>± 10% max.</b>
Start-up time:	<b>10ms.max.</b>

**Table 1**

Freq MHz	Idd max. mA
≤26	25
≤45	30
≤70	60
≤200	90

### OPTIONS AND PART IDENTIFICATION:

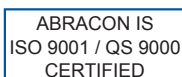
(Left blank if standard)



\* Temp option D, E, and 0°C to +70°C only

\*\* Temp option D, E, F, N, and 0°C to +70°C only

Please contact ABRACON if parts are intended for life dependent applications.



Visit [www.abracon.com](http://www.abracon.com) for Terms & Conditions of Sale **Revised: 04.11.08**  
 30332 Esperanza, Rancho Santa Margarita, California 92688  
 tel 949-546-8000 | fax 949-546-8001 | [www.abracon.com](http://www.abracon.com)

# TTL/CMOS VOLTAGE CONTROLLED CRYSTAL OSCILLATOR

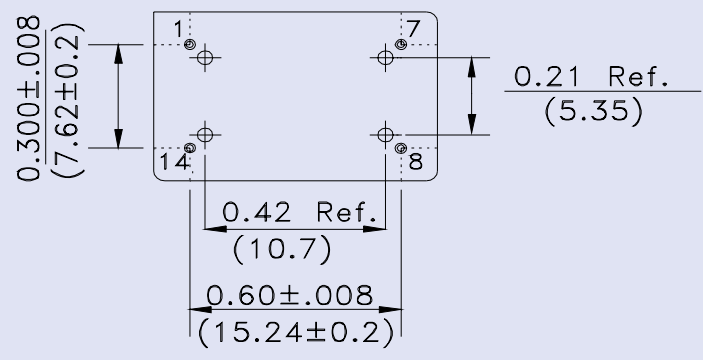
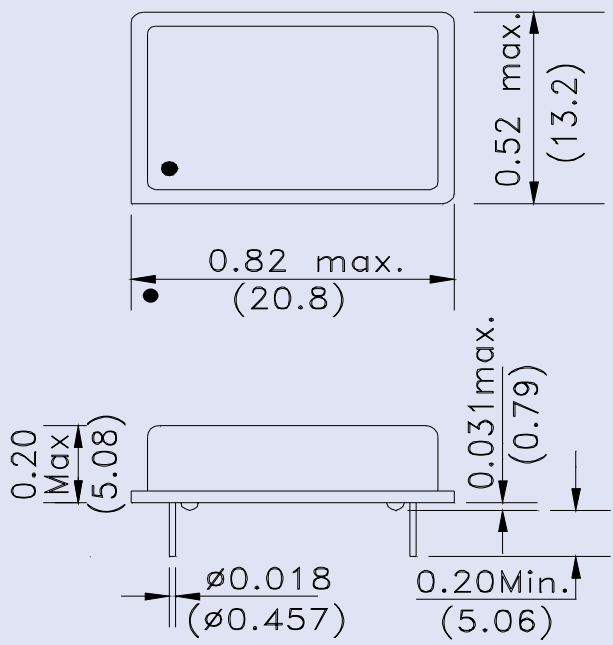


20.8 x 13.2 x 5.08 mm

ACVX1222



## OUTLINE DRAWING:

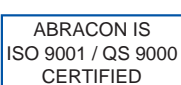


PIN	FUNCTION
1	Vcc
7	GND/Case
8	Output
14	Vdd

Note: Recommend using an approximately 0.01uF bypass capacitor between Pin 7 and 14

Dimensions: mm

Please contact ABRACON if parts are intended for life dependent applications.



Visit [www.abracon.com](http://www.abracon.com) for Terms & Conditions of Sale **Revised: 04.11.08**  
 30332 Esperanza, Rancho Santa Margarita, California 92688  
 tel 949-546-8000 | fax 949-546-8001 | [www.abracon.com](http://www.abracon.com)