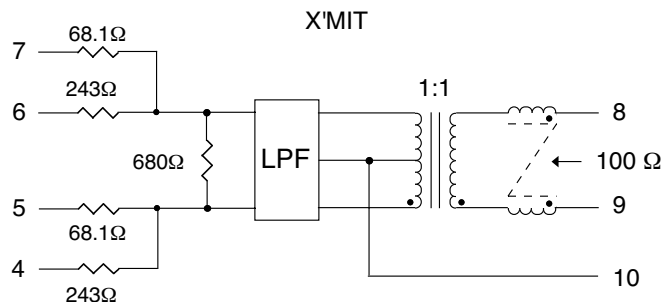


# Low Profile 10 Base-T Interface Module

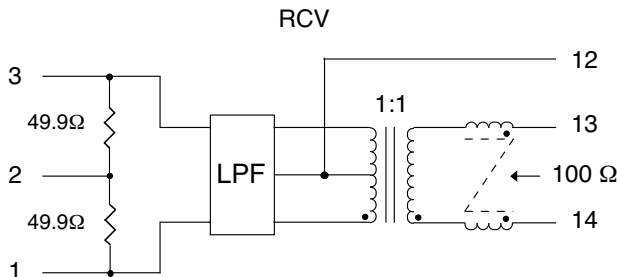
PCA Part Number(s)		EPE6125GD			
Electrical Specifications @ 25 °C					
Parameter	Frequency	Specification	XMIT	RCV	Unit
<b>Cut-off Frequency</b>	Filter Only	Low pass filters @ 3 dB cut-off point	17 ± 1	17 ± 1	MHz
<b>Insertion Loss</b> (See Note 1)	1-10 MHz		1.0	1.0	dB Max.
<b>Attenuation</b> (See Note 1)	20 MHz		7.0	5.0	dB Min.
	25 MHz		18.0	11.0	dB Min.
	30 MHz		30.0	18.0	dB Min.
	40 MHz		35.0	26.0	dB Min.
<b>Isolation</b> (for 1 minute)		1500 (Pins 4,7 to 8,9 & 1,3 to 13,14)			Vrms
<b>Return Loss</b>	5-10 MHz		15.0	15.0	dB Min.
<b>Common Mode Rejection</b>	30-100 MHz		30.0	30.0	dB Min.
<b>Crosstalk</b> (See Note 2)	1-10 MHz	Between Channels	30.0		dB Min.
<b>Hipot</b> (for 1 minute)		200 (Pins 4 to 3)			Vrms
<b>Impedance Ratio</b>		Filter Only (See Note 3)	100	100	Ω

**Notes :** 1. References to filter output @ 5.0 MHz. Filter only; excludes all resistor networks.  
 2. Transmitter to Receiver Characteristics.  
 3. Low Pass Filters : Xmit = 7 Pole, Rcv = 5 Poles

## Schematic



## CHIP SIDE



## Package

