



14W DC-DC Power Over Ethernet Splitter POE14 Fully Compliant IEEE802.3af PD Power Supply



Features

- Fully Compliant IEEE802.3af PD Power Supply
- DC Good LED
- Non-Vented Case
- Gigabit Compatible
- UNH IOL Test Report
- Full Protection OTP, OCP, OVP
- 10/100/1000 Base T Data rates

Applications

- IP Telephones
- Wireless Network Access Points
- Blue Tooth Access Point
- Security Camera
- IP Print Servers

Safety Approvals

- CE

Mechanical Characteristics

- Length: 100mm (3.937in)
- Width: 56mm (2.205in)
- Height: 28mm (1.098in)
- Weight: 0.142Kg (0.313lb)

Output Specifications

Model	DC Output Voltage	Output Current
POE14-033	3.3V	2.5A
POE14-050	5V	2.5A
POE14-120	12V	1.0A or 1.17A

Phihong reserves the right to make changes without further notice. Please consult Phihong USA and visit www.phihong.com for the most up-to-date specifications.

INPUT:

Input Voltage Range

Receives power from either Data or spare pairs

Model name	Input Voltage Range
POE14-033	36-57VDC
POE14-050	36-57VDC
POE14-120	1A for36-55VDC, 1.17A for 55-57VDC

Input Current

0.6A(RMS) max.

OUTPUT:

Regulation

Line and Load ±4%

Ripple

12V 120mVp-p

5&3.3V 100mVp-p

Efficiency

POE14-033: 65% (typical) at Max. load 48Vinput

POE14-055: 70% (typical) at Max. load 48Vinput

POE14-120: 72% (typical) at Max. load 48Vinput

O/P Voltage Protection

In case of output voltage, crowbar will short

ENVIRONMENTAL:

Temperature

Operation 0 to +40°C

Non-operation -20 to +65°C

Humidity

Operation 5 to 90%

Immunity

ESD: EN61000-4-2. Level 3

RS: EN61000-4-3. Level 2

CS: EN61000-4-6. Level 2

Note: RS and CS tested with POE20U

EMC

EN55022 Class A

Isolation Test

This Splitter output is isolated from incoming POE voltages

Indicators

GREEN LED – Output Good

Input and Output DataConnector

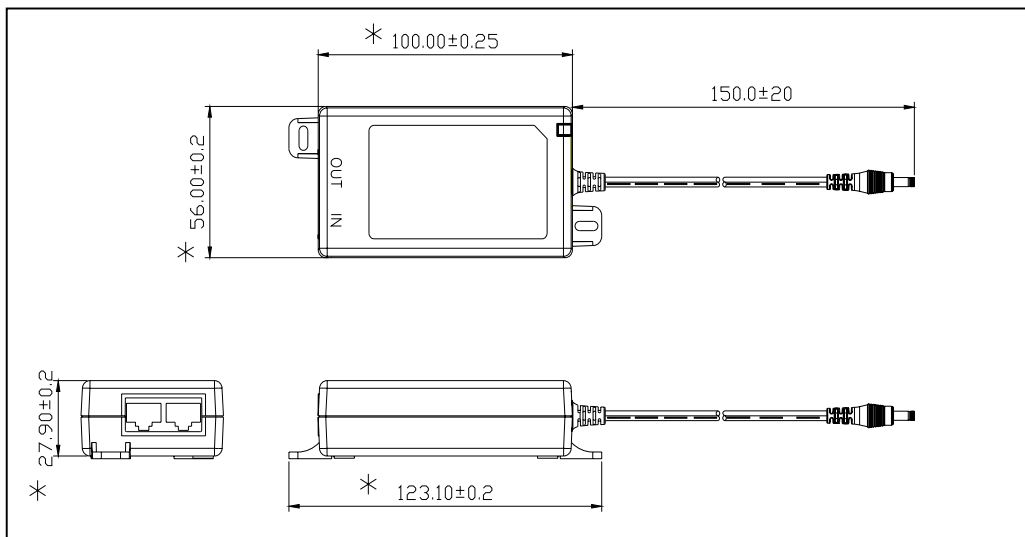
RJ45

Output Connector

Center Positive Barrel 9mm x 2.5mm ID x 5.5mm OD

Dimension Diagram Unit: mm (inch)

POE14-050 & POE14-033



POE14-120

