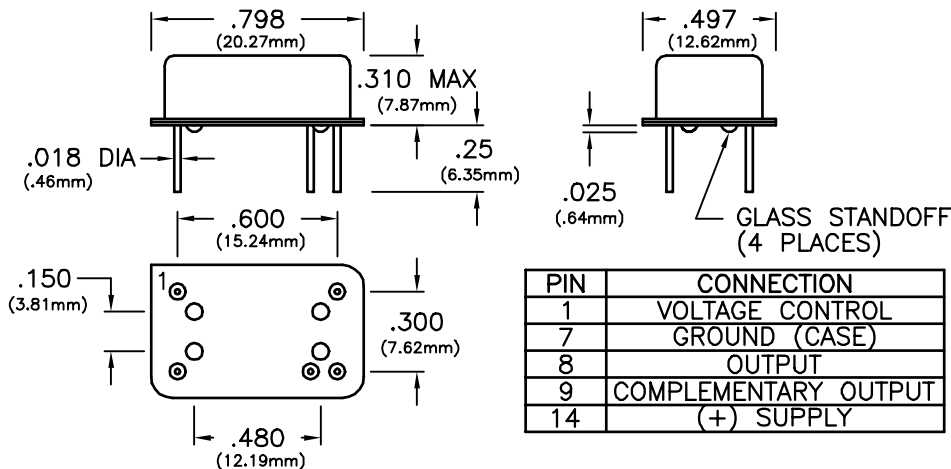
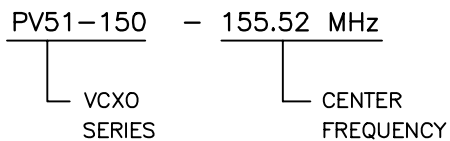


**DIFFERENTIAL OUTPUT 14 PIN PECL VCXO**

| SPECIFICATIONS                                       | PV51-***                                       | PV52-***                                     | PV54-*** |
|--|--|--|----------|
| Frequency Range                                      | 30MHz to 167MHz                                |  |          |
| Frequency Stability                                  | ±25ppm   | ±50ppm                                       | ±20ppm   |
| Temperature Range                                    | 0°C to +70°C                                   |  |          |
| Waveform   | PECL Squarewave                                |  |          |
| Load   | 50 Ohms Terminated into Vcc-2V                 |  |          |
| Voltage Voh  | 3.96 Minimum                                   |  |          |
| Vol  | 3.40 Maximum                                   |  |          |
| Duty Cycle   | 45/55 Maximum (Both outputs)                   |  |          |
| Rise/Fall Time                                       | 1.5nS Typical, 2.0nS Maximum                   |  |          |
| RMS Jitter   | 1.0pS Maximum over 12KHz to 20MHz bandwidth    |  |          |
| SSB Phase Noise (typical)                            | -80dBc/Hz @ 100Hz , -130dBc/Hz @ 10KHz         |  |          |
| Frequency Control                                    | * Deviation Code (add to model number)         |  |          |
| Pullability @ 25°C (Referenced to nominal frequency) | 150  | (±75ppm Minimum)                             |          |
|  | 200  | (±100ppm Minimum) Only available below 80MHz |          |
| Transfer Function                                    | Positive                                       |  |          |
| Control Voltage                                      | 0.5 to +4.5Vdc                                 |  |          |
| Center Frequency (@25°C, 2.5Vdc pin 1)               | ±15ppm   |  |          |
| Linearity  | ±10% Maximum                                   |  |          |
| Freq Modulation Bandwidth                            | ≥ 10KHz (3dB cutoff)                           |  |          |
| Supply Voltage                                       | +5Vdc ±5%                                      |  |          |
| Supply Current                                       | 90mA Maximum                                   |  |          |
| Package  | All metal, hermetically sealed, welded package |  |          |



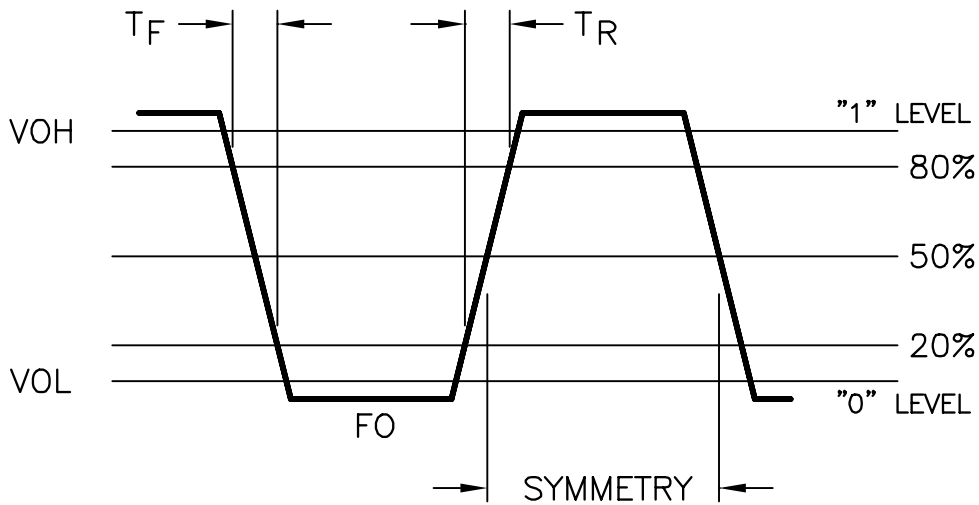
**ORDERING INFORMATION**



| PIN | CONNECTION           |
|-----|----------------------|
| 1   | VOLTAGE CONTROL      |
| 7   | GROUND (CASE)        |
| 8   | OUTPUT               |
| 9   | COMPLEMENTARY OUTPUT |
| 14  | (+) SUPPLY           |

**DIFFERENTIAL OUTPUT 14 PIN PECL VCXO**

OUTPUT WAVEFORM



TEST CIRCUIT

