

## Wirewound Rheostat/Potentiometer



### FEATURES

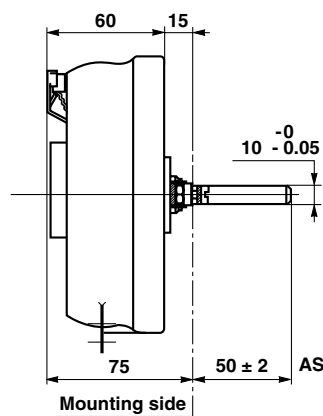
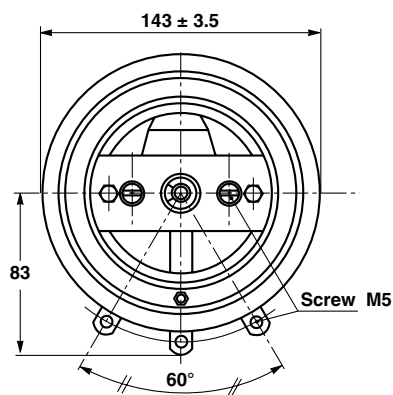
- 250 W at 25 °C
- CCTU 05-03B (PA7)
- Vitreous style



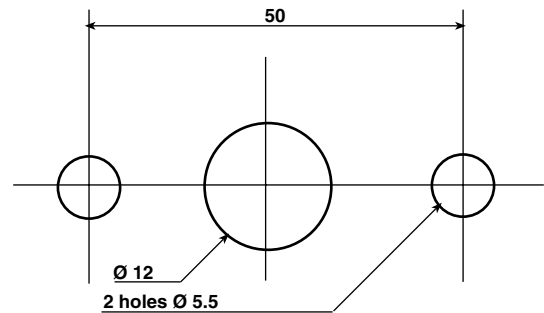
**RoHS**  
COMPLIANT

### DIMENSIONS in millimeters

RT230-PA7



### PANEL CUT OUT DETAILS



### MECHANICAL SPECIFICATIONS

Mechanical Protection	Vitreous
Mechanical Travel	300° ± 5°
Operating Torque	1 to 50 Ncm
End Stop Torque	200 Ncm
Unit Weight	1300 g

### ENVIRONMENTAL SPECIFICATIONS

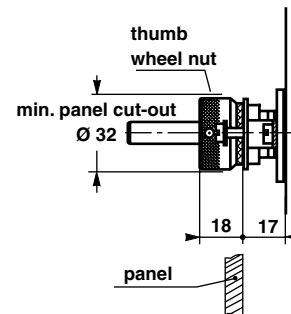
Temperature Range	- 55 °C + 320 °C
Climatic Category	CCTU 454 CEI 55/200/56

### LOCKING DEVICE

This is supplied as an option.

The available spindle length is according to the panel thickness.

Order reference: DBA10



ELECTRICAL SPECIFICATIONS	
Ohmic Range	1 Ω to 22 kΩ
Tolerance Standard	± 10 %
Power Rating	250 W at 25 °C
Variation Law	Standard: linear On request: sectorial winding
Limiting Element Voltage	1500 V
Dielectric Strength	2000 VRMS
Insulation Resistance	10 <sup>3</sup> MΩ (500 Vcc)

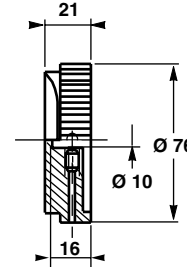
### SPINDLES

Ø mm	DISTANCE TO MOUNTING PLATE mm	SCREW DRIVER SLOT	CODE
10	50	WITHOUT	AS

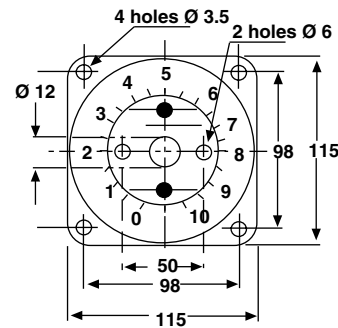
For any special requirement on request: spindle flats, etc.  
Please supply detailed drawing.

PARTICULAR CHARACTERISTICS		
NOMINAL RESISTANCE $\Omega$	MAX. SERVICE VOLTAGE V	MAX. CURRENT THROUGH WIPER A
1	15.2	15.2
1.5	18.6	12.4
2.2	22.5	10.2
3.3	27.6	8.36
4.7	32.9	7
6.8	31.5	5.82
10	48	4.80
15	58.7	3.92
22	71.1	3.23
33	87.1	2.64
47	104	2.21
68	125	1.84
100	152	1.52
150	186	1.24
220	225	1.02
330	276	0.836
470	329	0.700
680	395	0.582
1K	480	0.480
1.5K	587	0.392
2.2K	711	0.323
3.3K	871	0.264
4.7K	1040	0.221
6.8K	1250	0.184
10K	1500	0.150
15K	1940	0.13
22K	2000	0.091

COMMAND KNOB 60JF (OPTION)



DIAL CG115 (OPTION)



**MARKING**

SFERNICE trademark, series, style, ohmic value (in  $\Omega$  or k $\Omega$ ), tolerance (in %), maximum current in A, manufacturing date

ORDERING INFORMATION											
VITREOUS	RT	230	L			AS	10K	$\pm 10\%$	B01	e	
	SERIES	STYLE	SPINDLE LOCKING DEVICE	VARIATION LAW	SPECIAL DESIGN	WINDING	SPINDLE (Code)	OHMIC VALUE	TOLERANCE	PACKAGING	LEAD (Pb)-FREE
			Optional		Method N° Optional	Optional	for special spindles please supply detailed drawing				
		ACC			BOUTON CADIAN		60JF CG115		e		
ACCESORIES		MODEL			TYPE		STYLE		LEAD (Pb)-FREE		

SAP PART NUMBERING GUIDELINES						
RT	230	AS	1002	K	B	XXX
MODEL	STYLE	SPINDLE	OHMIC VALUE	TOLERANCE	PACKAGING	SPECIAL DESIGN
ACCRF		BOUTON		60JF		
MODEL		TYPE		STYLE		



## Disclaimer

All product specifications and data are subject to change without notice.

Vishay Intertechnology, Inc., its affiliates, agents, and employees, and all persons acting on its or their behalf (collectively, "Vishay"), disclaim any and all liability for any errors, inaccuracies or incompleteness contained herein or in any other disclosure relating to any product.

Vishay disclaims any and all liability arising out of the use or application of any product described herein or of any information provided herein to the maximum extent permitted by law. The product specifications do not expand or otherwise modify Vishay's terms and conditions of purchase, including but not limited to the warranty expressed therein, which apply to these products.

No license, express or implied, by estoppel or otherwise, to any intellectual property rights is granted by this document or by any conduct of Vishay.

The products shown herein are not designed for use in medical, life-saving, or life-sustaining applications unless otherwise expressly indicated. Customers using or selling Vishay products not expressly indicated for use in such applications do so entirely at their own risk and agree to fully indemnify Vishay for any damages arising or resulting from such use or sale. Please contact authorized Vishay personnel to obtain written terms and conditions regarding products designed for such applications.

Product names and markings noted herein may be trademarks of their respective owners.