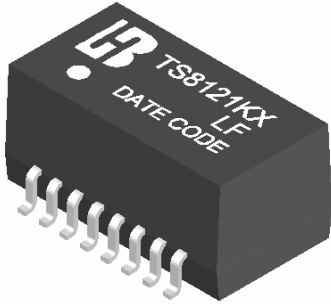




10/100 BASE PULSE TRANSFORMER

P/N: TS8121KX LF DATA SHEET

Feature



- Designed to meet IEEE 802.3u requirement, including 350uH OCL with 8mA bias.
- Comply with RoHS requirements-whole part No Cd, No Hg, No Cr6+, No PBB and PBDE and No Pb on external pins.
- Comply with Air reflow profile of JEDEC 020C.
- Operating temperature range: 0°C to +70 .
- Storage temperature range: -25°C to +125 .

Electrical Specifications @ 25°C

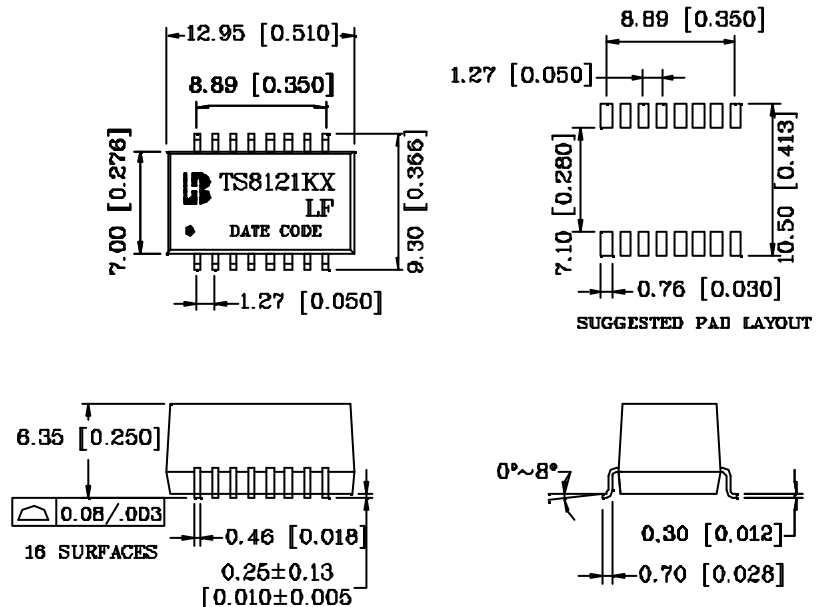
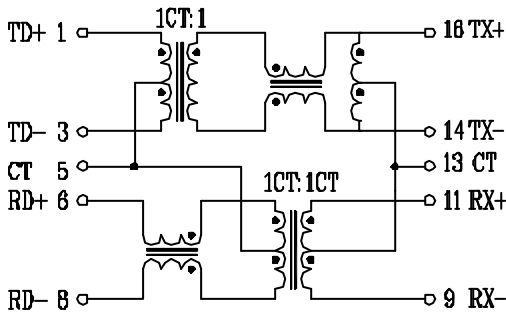
Part Number	Turns Ratio		OCL (uH Min) @ 100KHz/0.1V with 8mA DC Bias	C _{www} (pF Max)	L.L (uH Max)	Insertion Loss (dB Max) 0.3-100 MHz	DCR (Max)		HI-POT (Vrms)
	TX	RX					1-3/11-9	16-14/6-8	
TS8121KX LF	1CT:1	1CT:1CT	350	50	0.5	-1.15	0.9	1.1	1500

Continue

Part Number	Return Loss (dB Min)				Cross talk (dB Min)			DCMR (dB Min)		
	0.3-30MHz	40MHz	50MHz	60-80MHz	0.3-30MHz	60MHz	80-100MHz	0.3-30MHz	60MHz	100MHz
TS8121KX LF	-18	-15.5	-13.0	-12	-50	-45	-40	-42	-35	-30

Schematic

Mechanical



Units: mm [Inches] Tolerances: xx.x0±0.25 [0.010]
0.xx±0.05 [0.002]