

10/100 BASE-TX TRANSFORMER MODULES

P/N: TSC1142 DATE SHEET

Feature

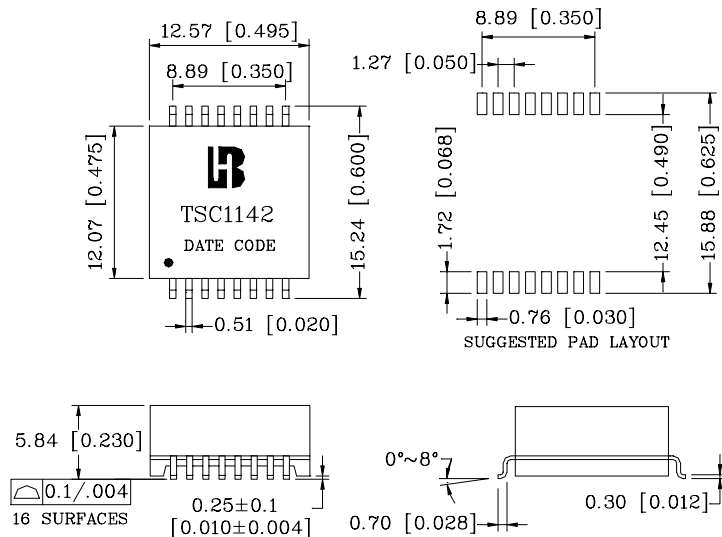
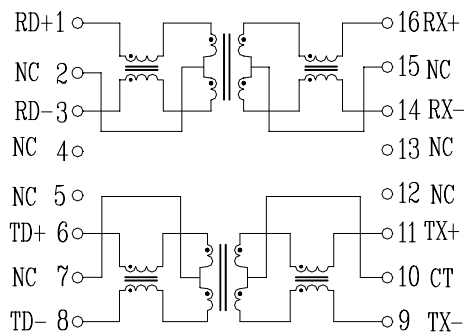


- Approved for use with the Broadcom BCM5226 and Level One LXT9784.
- Compliant with IEEE 802.3u and ANSI X3.263 standards including 350 μ H OCL with 8 mA bias.
- Designed for reflow soldering at temperatures up to 235°C.
- Operating Temperature range: 0°C to +70°C.
- Storage temperature range: -25°C to +125°C.

Electrical Specifications @ 25°C										
Part Number	Turns Ratio ($\pm 5\%$)		OCL (μ H Min) @ 100KHz/0.1Vrms with 8mA/DC Bias				HI-POT (Vrms)		Insertion Loss (dB Max) 0.3-100 MHz	
	TX	RX								
TSC1142	1CT:1CT	1CT:1CT	350				1500		-1.0	
Continue										
Part Number	Return Loss (dB Min)				Cross talk (dB Min)				DCMR TX/RX (dB Min)	
	2-30MHz	40MHz	50MHz	60-80MHz	1KHz	30MHz	60MHz	100MHz	1-60MHz	60-200MHz
TSC1142	-18	-17	-14.5	-12	-65	-55	-45	-35	-40	-30

Schematic

Mechanical



Units: mm [Inches] Tolerance: xx.x0±0.25 [0.010]
0.xx±0.05 [0.002]