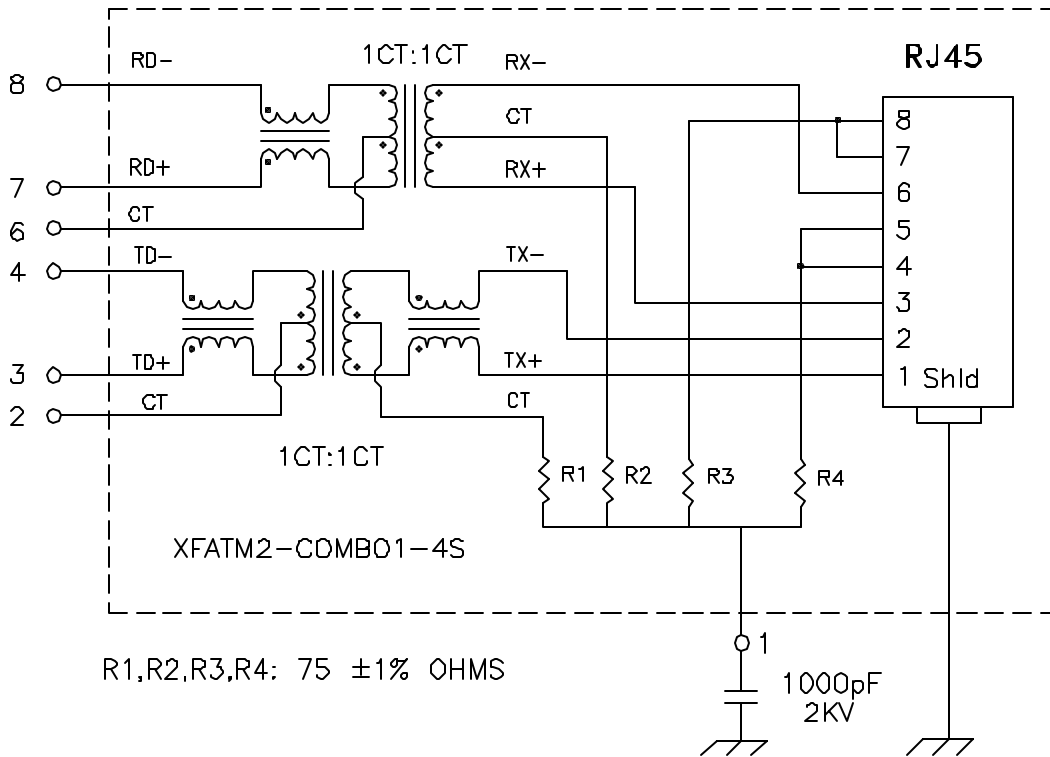


Schematic:



Electrical Specifications: @25°C

Isolation Voltage: 1500Vrms

UTP SIDE OCL: 350uH Min @100KHz 100mV 8mADC

Rise Time (10-90%): 2.5ns Typical

Insertion Loss (300KHz-100MHz): -1.1dB Maximum

Insertion Loss (100MHz-125MHz): -1.5dB Maximum

Return Loss: -18dB Min. @30MHz

-12dB Min. @80MHz

Crosstalk:

300KHz-60MHz -40dB Typical

60MHz-100MHz -38dB Typical

Common Mode to Differential Mode Rejection:

300KHz-60MHz -45dB Typ (Tx) / -40dB Typ (Rx)

60MHz-100MHz -40dB Typ (Tx) / -35dB Typ (Rx)

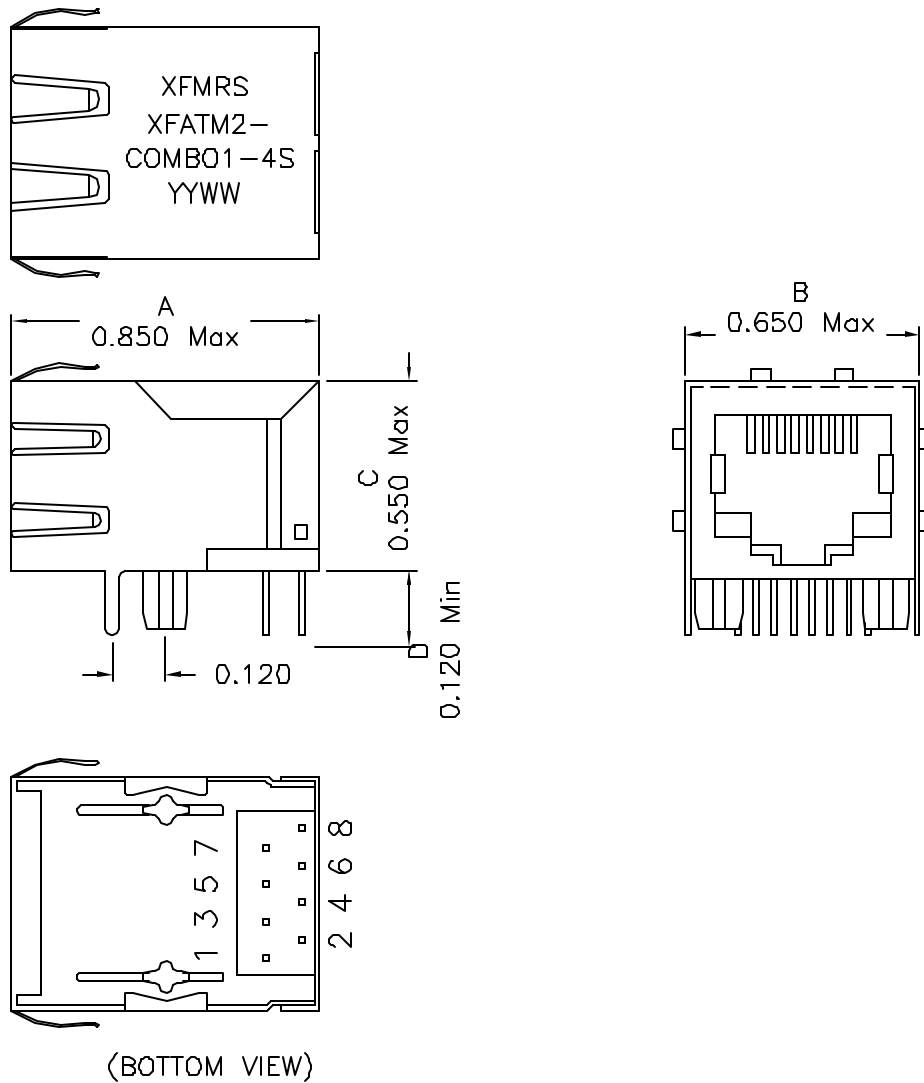
Notes:

1. Solderability: Leads shall meet MIL-STD-202, Method 208D for solderability.
2. Flammability: UL94V-0
3. ASTM oxygen index: > 28%
4. Temperature rating: 155°C. UL file E151556
5. Operating Temperature Range: All listed parameters are to be within tolerance from -40°C to +85°C

XFMRs Inc.	Title: SINGLE PORT COMBO			
	UNLESS OTHERWISE SPECIFIED TOLERANCES:		P/N: XFATM2-COMBO1-4S	REV. C
	.xxx ±0.010		DWN.	Kang Chen
	Dimensions in Inch		CHK.	YK Liao
	SHEET 1 OF 2		APP.	Isaiah M
			Sep-25-03	Sep-25-03

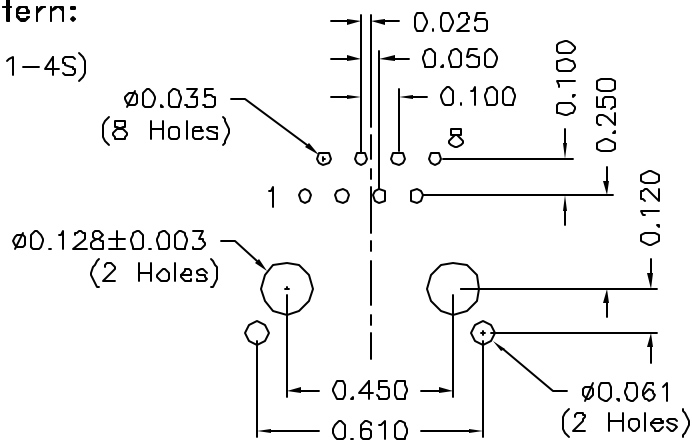
DOC REV: C/3

Mechanical Dimensions:



Mounting Pattern:

(FOR COMBO1-4S)
(COMP SIDE)



DOC REV: C/3

XFMR5 Inc.	Title: Mechanical Dimensions For COMBO1-4S Series		
UNLESS OTHERWISE SPECIFIED TOLERANCES: .xxx ± 0.010 Dimensions in Inch	P/N:	XFATM2-COMBO1-4S	REV. C
	DWN.	Kang Chen	Sep-25-03
SHEET 2 OF 2	CHK.	YK Liao	Sep-25-03
	APP.	Isaiah M	Sep-25-03