

KR Electronics

General Description

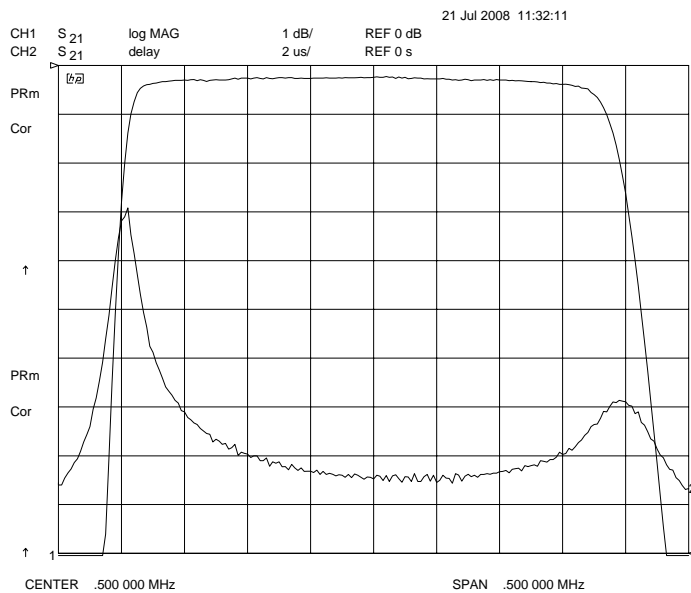
KR part number 2851 is a 500 KHz bandpass filter. The filter has a 3 dB bandwidth of 400 KHz and is designed for a source and load impedance of 50 Ω . Other passband frequencies are available. Please consult the factory.

Features

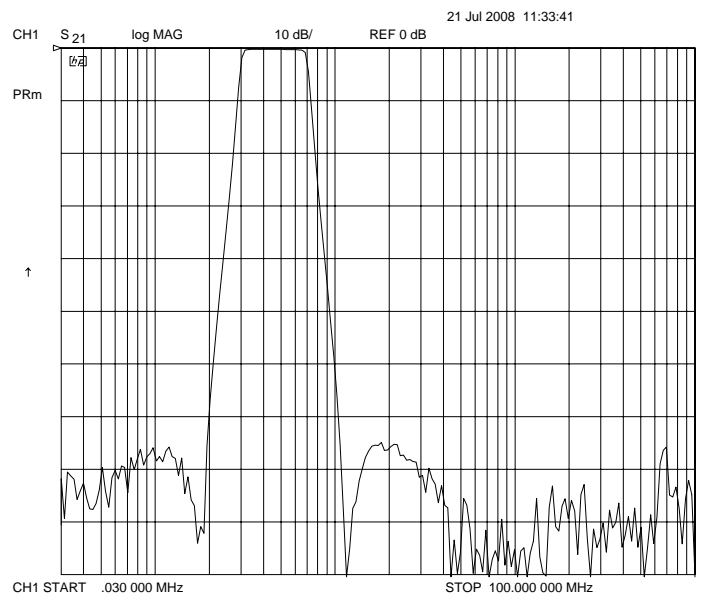
- 500 KHz Center Frequency
- 50 Ω Source and Load
- BNC Connectors

Typical Performance

Passband Amplitude & Group Delay
(1 dB/div and 2 usec/div)



Overall Response
(10 dB/div)



KR Electronics, Inc.
91 Avenel Street
Avenel, NJ 07001

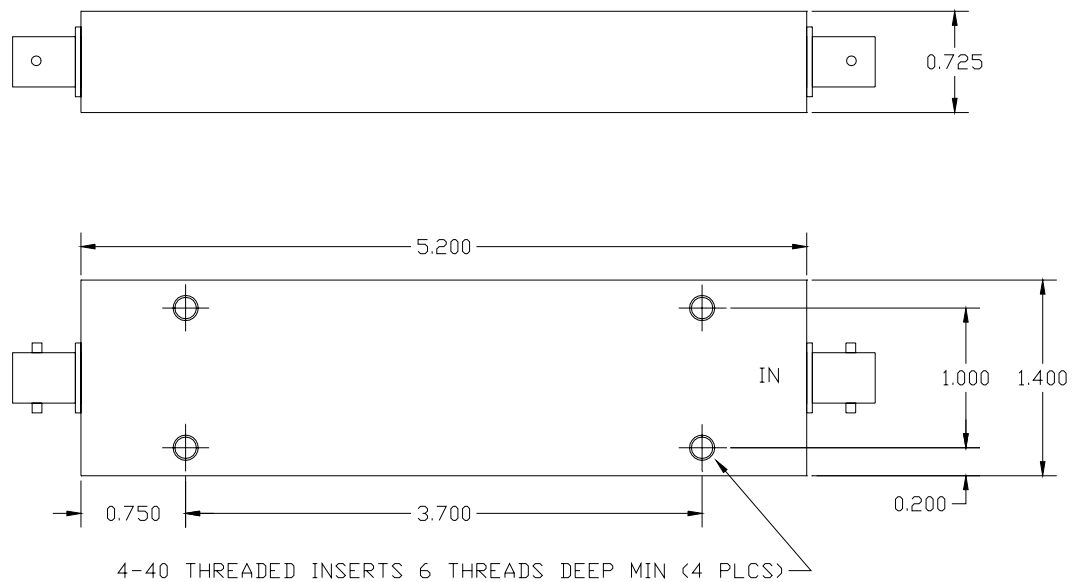
Web www.krfilters.com
Email sales@krfilters.com
Phone (732) 636-1900
Fax (732) 636-1982

KR Electronics 2851

Specifications

Parameter	Specification
Filter type	Bandpass
Center Frequency	500 KHz
Insertion Loss	< 1 dB (0.25 dB typical)
3 dB Bandwidth	400 KHz
Attenuation at 195 KHz	> 60 dB
Attenuation at 1.075 MHz	> 60 dB
Source and Load	50 Ω

Physical Dimensions



NOTES:
1. DIMENSIONS IN INCHES
2. INPUT/OUTPUT BNC(F)

KR Electronics, Inc.
91 Avenel Street
Avenel, NJ 07001

Web www.krfilters.com
Email sales@krfilters.com
Phone (732) 636-1900
Fax (732) 636-1982