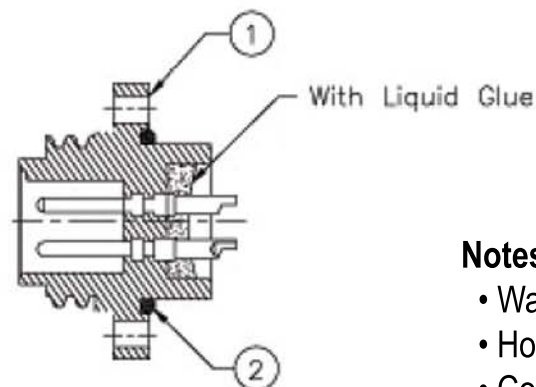
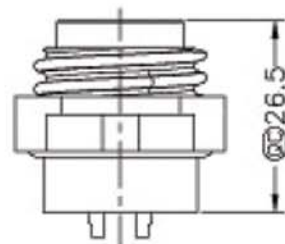
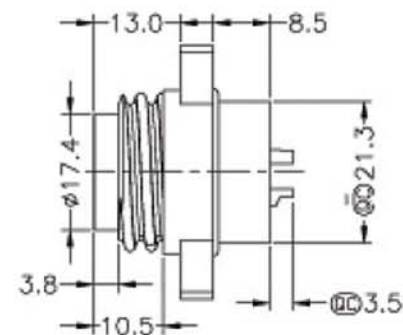
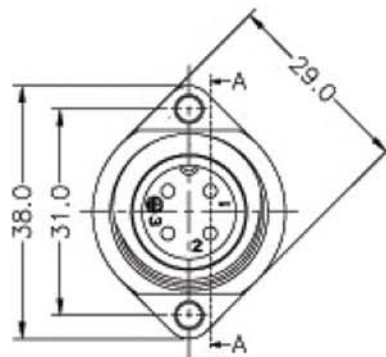


Recommended
Panel Cut-Out



Section A-A

Notes:

- Waterproof Rate: IP67
- Housing: Black ABS Plastic
- Connector: Black, Nylon+GF
- Pin: Copper Alloy, Gold Plated
- Contacts: Gold Plating
- Operating temperature: -40°C to +105°C



Pin Assignments
Front



ITEM NO
A-P04PMMS-SC-WP-R

TITLE
Waterproof Power Connector 4 Pin (12A), Male, Panel Mount

ASSMANN
Electronics, Inc.

1840 W. Drake Drive, Suite 101 - Tempe, AZ 85283
Toll Free: 1-877-277-6266 Email: info@usa-assmann.com

THIS DRAWING IS UNPUBLISHED
© Copyright 2008 by Assmann Electronic Components
All International Rights Reserved