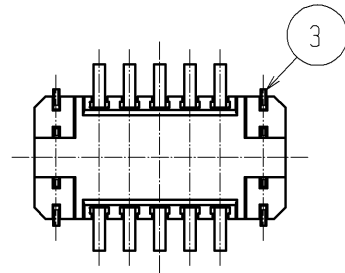
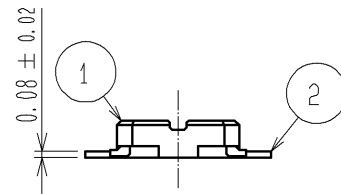
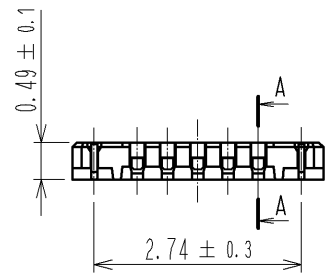
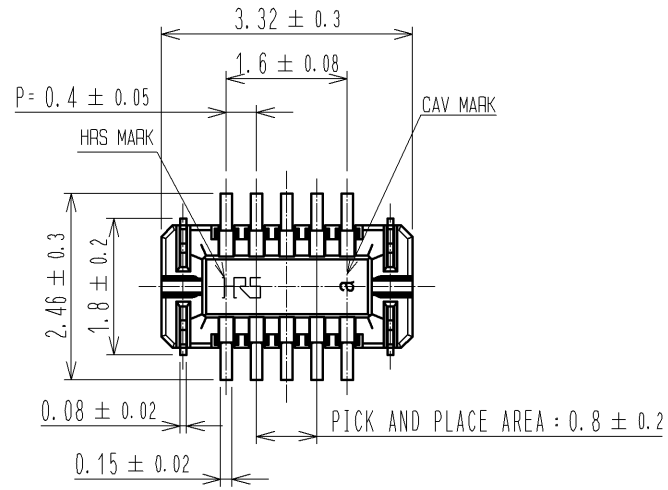
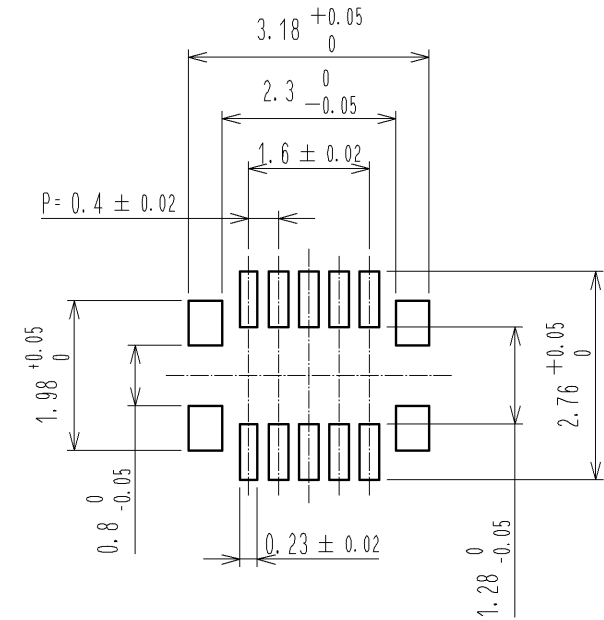


APPLICABLE STANDARD					
RATING	OPERATING TEMPERATURE RANGE	-35°C TO +85°C (NOTES 1)	STORAGE TEMPERATURE RANGE	-10°C TO +60°C	
	VOLTAGE	30V AC	APPLICABLE CONNECTOR	BM10*(0.6)-10DS-0.4V(**)	
	CURRENT	0.3A			
SPECIFICATIONS					
ITEM	TEST METHOD		REQUIREMENTS	QT	AT
CONSTRUCTION					
GENERAL EXAMINATION	CONFIRMED VISUALLY AND BY MEASURING INSTRUMENT.		ACCORDING TO DRAWING.	X	X
MARKING	CONFIRMED VISUALLY.			X	X
ELECTRIC CHARACTERISTICS					
CONTACT RESISTANCE	20mV AC OR LESS 1kHz, 1mA.		100mΩ MAX.	X	-
INSULATION RESISTANCE	100V DC.		50MΩ MIN.	X	-
VOLTAGE PROOF	100V AC FOR 1 min.		NO FLASHOVER OR BREAKDOWN.	X	-
MECHANICAL CHARACTERISTICS					
MECHANICAL OPERATION	10TIMES INSERTIONS AND EXTRACTIONS.		① CONTACT RESISTANCE: 100mΩ MAX. ② NO DAMAGE, CRACK OR LOOSENESS OF PARTS.	X	-
VIBRATION	FREQUENCY 10 TO 55 TO 10 Hz, APPROX 5min, SINGLE AMPLITUDE 0.75 mm, 10CYCLES, FOR 3 DIRECTIONS.		① NO ELECTRICAL DISCONTINUITY OF 1 μs. ② NO DAMAGE, CRACK OR LOOSENESS OF PARTS.	X	-
SHOCK	490 m/s ² DURATION OF PULSE 11 ms AT 3 TIMES FOR 3 DIRECTIONS.		① NO ELECTRICAL DISCONTINUITY OF 1 μs. ② NO DAMAGE, CRACK OR LOOSENESS OF PARTS.	X	-
ENVIRONMENTAL CHARACTERISTICS					
RAPID CHANGE OF TEMPERATURE	TEMPERATURE -55 → +85 °C TIME 30 → 30 min UNDER 5 CYCLES. (RELOCATION TIME TO CHAMBER: WITHIN 2 ~3 MIN)		① CONTACT RESISTANCE: 100mΩ MAX. ② INSULATION RESISTANCE: 50MΩ MIN. ③ NO DAMAGE, CRACK OR LOOSENESS OF PARTS.	X	-
DAMP HEAT (STEADY STATE)	EXPOSED AT 40 ± 2 °C, 90 TO 95 %, 96 h.		① CONTACT RESISTANCE: 100mΩ MAX. ② INSULATION RESISTANCE: 25MΩ MIN. ③ NO DAMAGE, CRACK OR LOOSENESS OF PARTS.	X	-
SULPHUR DIOXIDE	EXPOSED IN 25 PPM FOR 96h, 25°C, 75%. (REFER TO JIS C 60068)		① CONTACT RESISTANCE: 100mΩ MAX. ② NO DAMAGE, CRACK OR LOOSENESS OF PARTS.	X	-
	COUNT	DESCRIPTION OF REVISIONS	DESIGNED	CHECKED	DATE
REMARKS			APPROVED	KH. IKEDA	09.09.14
NOTE1: INCLUDE THE TEMPERATURE RISING BY CURRENT			CHECKED	TS. MIYAZAKI	09.09.14
Unless otherwise specified, refer to JIS C 5402 and IEC 60512			DESIGNED	YH. MICHIDA	09.09.14
			DRAWN	YH. MICHIDA	09.09.14
Note QT:Qualification Test AT:Assurance Test X:Applicable Test			DRAWING NO.		ELC4-318078-51
	SPECIFICATION SHEET		PART NO.	BM10B (0.6)-10DP-0.4V (51)	
	HIROSE ELECTRIC CO., LTD.		CODE NO.	CL684-6304-0-51	1/1

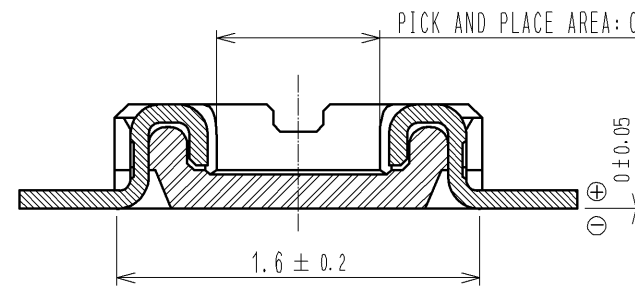


RECOMMENDED PATTERN

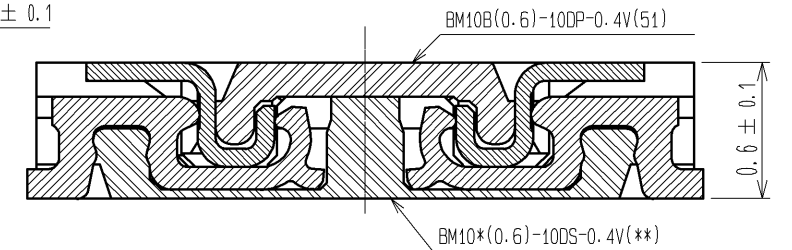


RECOMMENDED SOLDER PASTE: THICKNESS 100µm

A-A

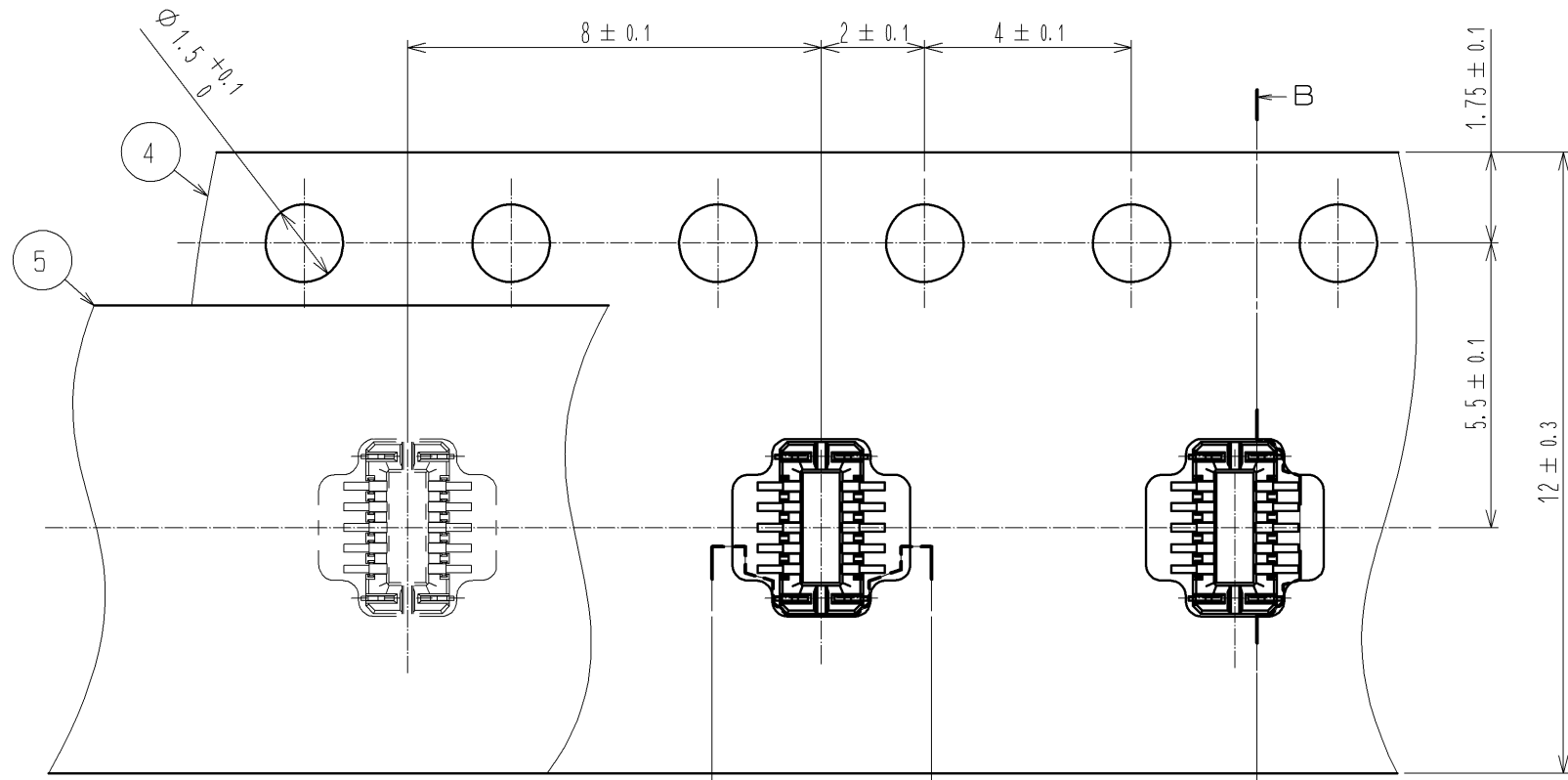


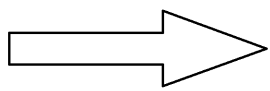
ENGAGEMENT FIGURE

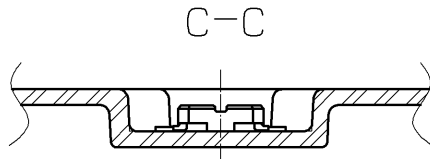


- NOTE
- ALL LEADS CO-PLANARITY SHALL BE 0.1mm MAX.
 - PER REEL : 8000 CONNECTORS.
 - AT THE BEGINNING OF THE REEL, 100 mm AT MIN SHALL BE EMPTY POCKETS.
AT THE END OF THE REEL, 160 mm AT MIN SHALL BE EMPTY.
 - CONTACT PLATING SPECIFICATIONS.
CONTACT AREA : GOLD 0.05µm MIN.
SMT LEAD : GOLD 0.05µm MIN.
UNDERPLATING : NICKEL 1µm MIN.
(SURFACE : SEALING)
 - METAL HOLD DOWN PLATING SPECIFICATIONS.
MOUNTING AREA: GOLD 0.05µm MIN.
UNDERPLATING : NICKEL 1µm MIN.
 - PEEL FORCE REFERS TO JIS C 0806.

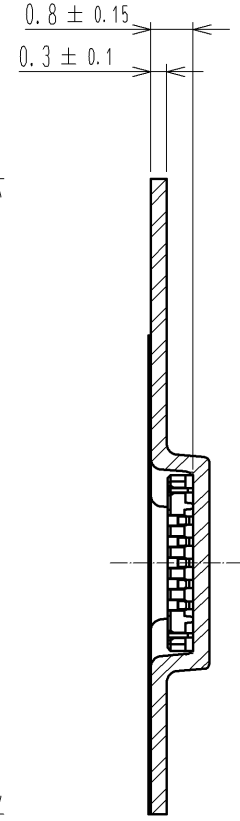
3	PHOSPHOR BRONZE	5	6	PS	PLASTIC REEL (BLACK)			
2	PHOSPHOR BRONZE	4	5	POLYESTER	CLEAR (COVER TAPE)			
1	LCP	UL94V-0, BLACK	4	PS	CLEAR (EMBOSSED CARRIER TAPE)			
NO.	MATERIAL	FINISH, REMARKS	NO.	MATERIAL	FINISH, REMARKS			
UNITS	mm	SCALE	10:1	COUNT	DESCRIPTION OF REVISIONS	DESIGNED	CHECKED	DATE
HRS HIROSE ELECTRIC CO., LTD.		APPROVED : KH. IKEDA	09.09.14	DRAWING NO. EDC3-318078-51				
		CHECKED : TS. MIYAZAKI	09.09.14	PART NO. BM10B(0.6)-10DP-0.4V(51)				
		DESIGNED : YH. MICHIDA	09.09.14	CODE NO. CL684-6304-0-51				
		DRAWN : YH. MICHIDA	09.09.14					



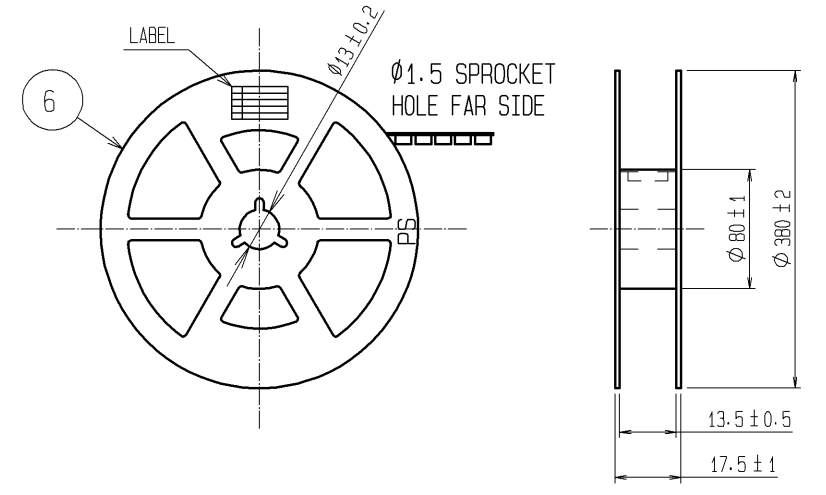

 DIRECTION OF UNREELING



B-B



STYLE AND DIMENSION OF REEL (FREE SIZE)



DETAIL OF PART NO. LABEL

SUPPLIER	
QUANTITY	
PART NO.	
CODE NO.	
DATE OF MANUFACTURED	
生産月日	年 月 日
図番	CL684-6304-0-51
品名	BM10B(0.6)-10DP-0.4V(51)
納入数量	8000個
納入者	ヒロセ電機(株)

HRS	DRAWING NO.	EDC3-318078-51
	PART NO.	BM10B(0.6)-10DP-0.4V(51)
	CODE NO.	CL684-6304-0-51
		△ 2/2