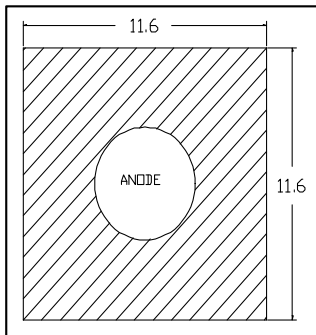


PRODUCT SPECIFICATIONS

TYPE : High Speed Switching Diodes

CCMBD914

CHIP APPEARANCE



CHIP SIZE

11.6 mils (0.29 mm)

ANODE SIZE

4.8 mil DIA (0.12 mm)

CHIP THICKNESS

6-7 mil (0.15 - 0.18 mm)

TOP METAL

ALUMINIUM

BACK METAL

GOLD

WAFER SIZE

4" DIA (100 mm)

SURFACE PASSIVATION

Si3N4

ABSOLUTE MAXIMUM RATINGS (Ta = 25°C)

WIRE BONDING TYPE

REVERSE BREAKDOWN VOLTAGE	V _{BR}	100 V	PEAK FORWARD SURGE CURRENT	IFRM	500 mA
CONTINUOUS REVERSE VOLTAGE	V _R	75 V	JUNCTION TEMPERATURE	T _j	150 deg C
FORWARD CURRENT (d.c)	I _F	200mA			
POWER DISSIPATION (Ta=25°C)	P _d	225mW			

ELECTRICAL CHARACTERISTIC (Ta = 25°C)

ITEM	SYMBOL	MIN.	TYP.	MAX.	UNIT	CONDITION
FORWARD VOLTAGE	V _F	-	-	1	V	IF=10 mA
REVERSE CURRENT	I _R	-	-	5	uA	VR=75 V
REVERSE CURRENT	I _R	-	-	25	nA	VR=20 V
REVERSE BREAKDOWN VOLTAGE	BV	100	-	-	V	IR=100uA
DIODE CAPACITANCE	C _d	-	-	4	p F	VR=0V ,f=1MHz
REVERSE RECOVERY TIME @IR=1mA	trr	-	-	4	n S	IF=10mA, IR=60mA, RL=100ohm

Quality Assurance :

Yield Assurance : 90 %

DISCLAIMER NOTICE

Rectron Inc reserves the right to make changes without notice to any product specification herein, to make corrections, modifications, enhancements or other changes. Rectron Inc or anyone on its behalf assumes no responsibility or liability for any errors or inaccuracies. Data sheet specifications and its information contained are intended to provide a product description only. "Typical" parameters which may be included on RECTRON data sheets and/ or specifications can and do vary in different applications and actual performance may vary over time. Rectron Inc does not assume any liability arising out of the application or use of any product or circuit.

Rectron products are not designed, intended or authorized for use in medical, life-saving implant or other applications intended for life-sustaining or other related applications where a failure or malfunction of component or circuitry may directly or indirectly cause injury or threaten a life without expressed written approval of Rectron Inc. Customers using or selling Rectron components for use in such applications do so at their own risk and shall agree to fully indemnify Rectron Inc and its subsidiaries harmless against all claims, damages and expenditures.