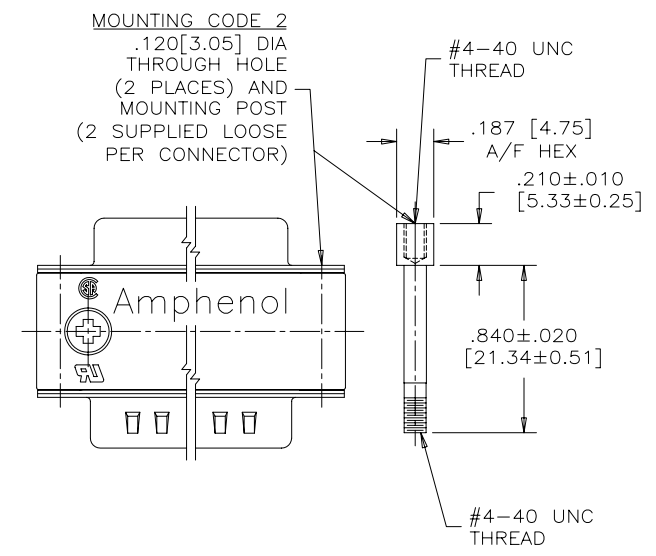
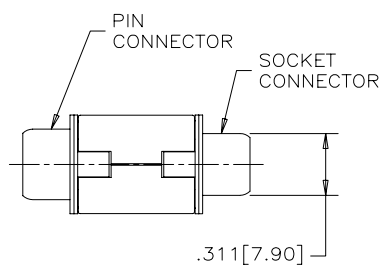
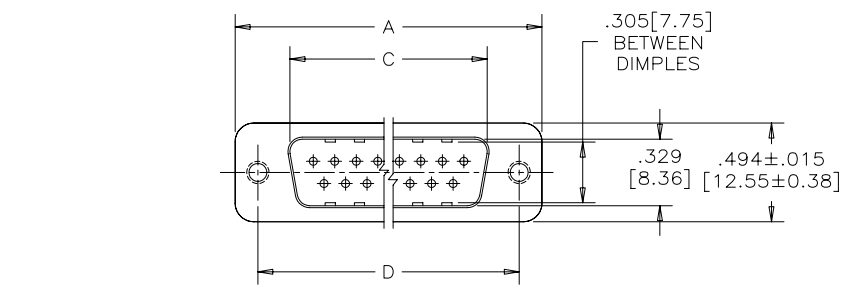
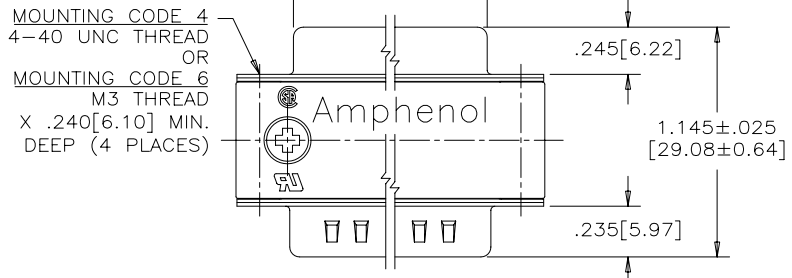


REVISIONS			
REV	ECN, ERN NO.	DATE	APPRD.
D	PRODUCT DRAWING	APR29/05	K.L.



SIZE	A ± .015 [0.38]	B ± .005 [0.13]	C ± .005 [0.13]	D ± .005 [0.13]
E09	1.213 [30.81]	.643 [16.33]	.666 [16.92]	.984 [24.99]
A15	1.541 [39.14]	.971 [24.66]	.994 [25.25]	1.312 [33.32]
B25	2.088 [53.04]	1.511 [38.38]	1.534 [38.96]	1.852 [47.04]
C37	2.729 [69.32]	2.159 [54.84]	2.182 [55.42]	2.500 [63.50]

ORDERING CODE: F C C 1 7 - E 0 9 A D - 4 F O G

**SERIES** \_\_\_\_\_

**SIZE/NUMBER OF CONTACTS** \_\_\_\_\_  
E09, A15, B25, OR C37

**CONNECTOR STYLE** \_\_\_\_\_  
AD=PIN/SOCKET ADAPTER

**MOUNTING** \_\_\_\_\_  
2=.120 [3.05] DIA. THROUGH HOLE WITH MOUNTING POST  
3=OLD DESIGNATION FOR #4-40 THREAD - USE MOUNTING CODE 4.  
4=#4-40 UNC THREAD  
6=M3 THREAD

**CONTACT FINISH/GOLD THICKNESS** \_\_\_\_\_  
NO DIGIT=STANDARD 15 MICRONS [0.38 MICRONS] GOLD  
G=50 MICRONS [1.27 MICRONS] GOLD

**MODIFIER** \_\_\_\_\_  
0=STANDARD

**FILTER CAPACITANCE** \_\_\_\_\_  
D=50 pF      4=820 pF  
B=100 pF     5=1000 pF  
0=180 pF     7=1200 pF  
F=330 pF     E=2200 pF  
L=380 pF     9=5600 pF  
1=470 pF     8=47000 pF

REFER TO AMPHENOL CATALOGUE FOR FILTER PERFORMANCE CHARACTERISTICS

- NOTES:**
- MATERIALS: - SHELLS - TIN PLATED STEEL  
- CONTACTS - PHOSPHOR BRONZE PLATED WITH GOLD OVER NICKEL ON THE MATING AREA.  
- INSULATOR - ENGINEERING THERMOPLASTIC, FLAMMABILITY RATING UL94V-0, BLACK.  
- OUTSIDE SHELLS: ZINC DIECAST, TIN PLATED
  - INSULATION RESISTANCE: 3000 MEGOHMS MINIMUM
  - CURRENT RATING: 5 AMPS MAXIMUM  
2 AMPS FILTERING MAXIMUM
  - OPERATING TEMPERATURE: -40°C TO 85°C.
  - TOLERANCE, UNLESS INDICATED OTHERWISE, ±.005 [0.13].

MATERIAL -----	DRAWN I.ESSAJEE	DATE 99/03/10	Amphenol Canada Corp.	
	DESIGNED K.LAMBIE	99/03/09		
	CHECKED			
	I. E. APPRD.			
FINISH -----	Q. A. APPRD.		TITLE FCC17 SERIES MALE/FEMALE ADAPTER	
	DWG. APPRD.		DWG DRAWING NO. C P-FCC17-XXXAD-XXOX	
	ENG. REL. NO.		REF. EAR C10727	
	REF. EAR C10727		DIMENSIONS ARE IN INCHES [mm] 03554	
SCALE 2/1		WT. -----	SURF. -----	SHEET 1 OF 1

THIS DOCUMENT CONTAINS PROPRIETARY INFORMATION AND SUCH INFORMATION MAY NOT BE DISCLOSED TO OTHERS FOR ANY PURPOSE OR USED FOR MANUFACTURING PURPOSES WITHOUT WRITTEN PERMISSION FROM AMPHENOL CANADA CORP.