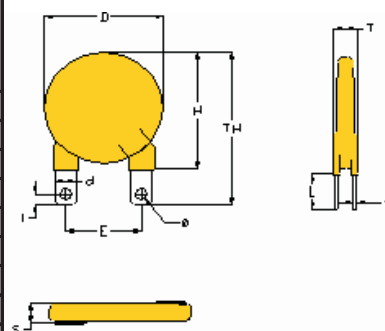


Part Number	Maximum Allowable Voltage		Varistor Voltage at 1mA		Withstanding Surge current 2x's 8/20µS (A)	Rated Wattage (W)	Energy 10/1000 µS (J)	UL	CSA
	Acrms (V)	DC (V)	(V)	Tolerance Range					
JVR-32N201K	130	170	200 (185-225)		25,000	1.2	250	✓	✓
JVR-32N241K	150	200	240 (216-264)		25,000	1.2	290	✓	✓
JVR-32N271K	175	225	270 (243-297)		25,000	1.2	300	✓	✓
JVR-32N331K	210	275	330 (297-363)		25,000	1.2	360	✓	✓
JVR-32N361K	230	300	360 (324-396)		25,000	1.2	380	✓	✓
JVR-32N391K	250	320	390 (351-429)		25,000	1.2	400	✓	✓
JVR-32N431K	275	350	430 (387-473)		25,000	1.2	430	✓	✓
JVR-32N471K	300	385	470 (423-517)		25,000	1.2	460	✓	✓
JVR-32N511K	320	415	510 (459-561)		25,000	1.2	510	✓	✓
JVR-32N621K	385	505	620 (558-682)		25,000	1.2	570	✓	✓
JVR-32N681K	420	560	680 (612-748)		25,000	1.2	600	✓	✓
JVR-32N751K	460	615	750 (675-825)		25,000	1.2	620	✓	✓
JVR-32N781K	485	640	780 (702-858)		25,000	1.2	660	✓	✓
JVR-32N821K	510	670	820 (738-902)		25,000	1.2	700	✓	✓
JVR-32N911K	550	745	910 (819-1001)		25,000	1.2	750	✓	✓
JVR-32N951K	575	765	950 (855-1045)		25,000	1.2	780	✓	✓
JVR-32N102K	625	825	1000 (900-1100)		25,000	1.2	810	✓	✓
JVR-32N112K	680	895	1100 (990-1210)		25,000	1.2	910	✓	✓
JVR-32N122K	750	980	1200 (1080-1320)		25,000	1.2	960	✓	✓
JVR-32N142K	880	1,140	1400 (1260-1540)		25,000	1.2	1,020	✓	✓
JVR-32N162K	1,000	1,280	1600 (1440-1760)		25,000	1.2	1,080	✓	✓

■ Dimensions



SIZE	32D
D max	37.0
H max	42.0
TH max	56.2
E ± 0.8	25.4
d ± 0.2	7.06
Ø ± 0.1	3.81
t ± 0.1	0.5
L min	12.0
l ± 0.15	3.68

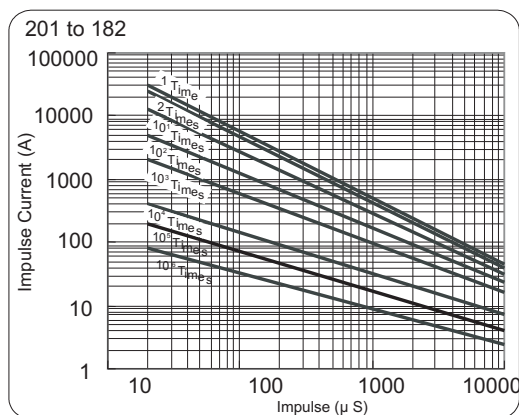
* Add suffix - L for RoHS Compliant

■ MECHANICAL DIMENSIONS

Part Code	201K	241K	271K	301K	331K	361K	391K	431K	471K	511K	561K
T Max	5.6	5.8	6.0	6.1	6.3	6.6	6.8	7.1	7.4	7.5	7.7
S	2.5±1.0	2.6±1.0	2.7±1.0	2.8±1.0	2.9±1.0	3.2±1.0	3.4±1.0	3.7±1.2	3.7±1.2	4.1±1.2	4.3±1.2

Part Code	621K	681K	751K	781K	821K	911K	102K	112K	122K	152K	182K
T Max	7.9	8.2	8.6	8.7	8.9	9.4	9.7	10.5	14.0	14.0	16.0
S	4.7±1.3	4.9±1.3	5.0±1.4	5.3±1.4	5.6±1.4	5.8±1.5	6.2±1.5	6.8±1.5	8.5±1.5	8.5±1.5	9.8±1.5

■ PULSE RATING CURVES



■ V-I CHARACTERISTIC CURVES

