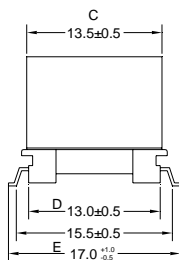
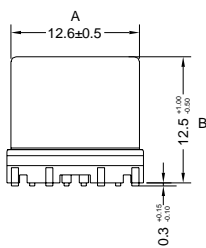
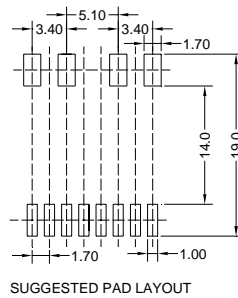
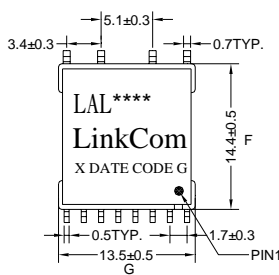


**Broadband Access Transformer**

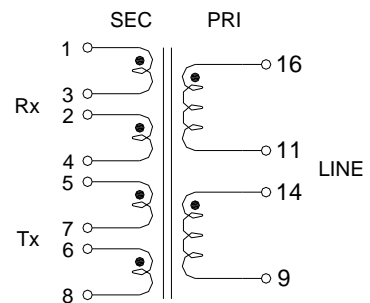
- Designed to meet UL 60950 and EN 60950 requirements for supplementary insulation and 250V working voltage
- RoHS Compliant
- Excellent THD performance
- Operating Temperature -40°C to 85°C

Electrical Specifications @25°C	
OCL:	PIN 16-9= 2.0mH ±6% @ 10KHz/0.1V/Ser.
Leakage Inductance:	PIN 1-4= 10uH ±5.0 @ 100KHz/0.1V
	PIN 5-8= 0.4uH ± 0.5 @ 100KHz/0.1V
Interwinding Capacitance	PIN 1-16= 9.0 pF ± 5.0 @ 100KHz/0.1V
	PIN 5-16= 13 pF ± 5.0      PIN 1-8= 17 pF ± 5.0
T.H.D	PIN 16-9 to PIN 1-4= -82dB Max. @ 30KHz/3.162V
	PIN 16-9 to PIN 5-8= -82dB Max. @ 30KHz/3.162V
D.C.R:	PIN 1-4 = 2.3 ohm Max.
	PIN 5-8 = 625 mohm Max.      PIN 16-9 = 1.15 ohm Max.
Hi-POT :	PRI. – SEC. =1875VAC/60Hz/2Seconds/1mA
Turn Ratio:	PIN16-9 : PIN 1-4 = 1±2% :1
	PIN16-9 : PIN 5-8 = 4.29±2% :1

**Dimensions (Units: mm)**



**Schematic**



**Mark**

- 1.LAL\*\*\*\*----LAL2014
2. X----PRODUCT LINE
3. DATE CODE----YYWW
4. G----RoHS