

Specifications

Insulation Resistance: 50MΩ min. at 250V DC
 Withstanding Voltage: 250V AC for 1 minute
 Contact Resistance: 30mΩ max.
 Rating: 1A max. at 100V AC
 2A max. at 12V DC
 Operating Temp. Range: -55°C to +85°C
 Mating Cycles: 1000 min. at 10-20 times
 per minute (no electrical load)
 Soldering Temp.: 230°C / 3 sec.

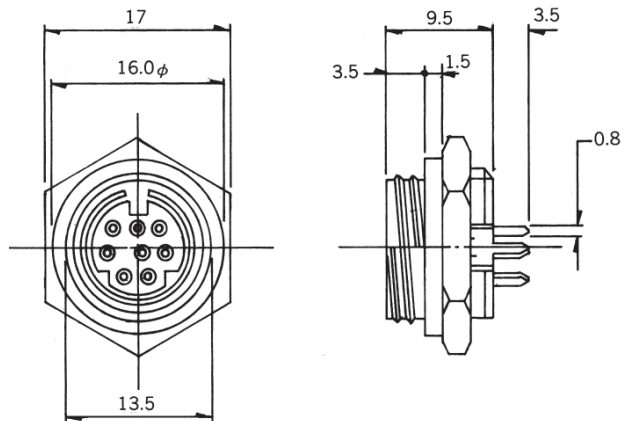
Materials and Finish

Housing: Thermoplastic
 Contact: Phosphor Bronze



Features

- ↳ 180° Pin Through Hole Jam-Nut socket, screw type
- ↳ Hex Nut M14, *P1.0



Contact Arrangements and PCB Layouts

<p>3 Pins</p> <p>Part No.: MDIN03G</p> <p>Front View</p> <p>Bottom View</p>	<p>6 Pins</p> <p>Part No.: MDIN06G</p> <p>Front View</p> <p>Bottom View</p>
<p>4 Pins</p> <p>Part No.: MDIN04G</p> <p>Front View</p> <p>Bottom View</p>	<p>7 Pins Not Available</p>
<p>5 Pins</p> <p>Part No.: MDIN05G</p> <p>Front View</p> <p>Bottom View</p>	<p>8 Pins</p> <p>Part No.: MDIN08G</p> <p>Front View</p> <p>Bottom View</p>