

PMP30 Series

25-30 WATTS SINGLE OUTPUT AC/DC MEDICAL

Features

- **Input surge current protection.**
- **Overvoltage protection.**
- **Overcurrent protection.**
- **Short-circuit protection with auto recovery.**
- **100% burn-in at full rated load.**



Specifications

INPUT

| | |
|-----------------|---|
| Input Voltage | 90-264Vac |
| Frequency | 47Hz–67Hz |
| Input Current | 0.80A (rms) for 115Vac. 0.50A (rms) for 230Vac. |
| Leakage current | 90µA max. @ 115Vac. 60Hz. 150µA max. @ 230Vac. 50Hz. |
| Isolation | Input – Output: 4000Vac Input – Ground: 1500Vac Output – Ground: 500Vac |
| Inrush Current | 15A @ 115V, 30A @ 230V |

OUTPUT

| | |
|-------------------------|---|
| Output Voltage | See table |
| Output Current | See table |
| Ripple & Noise | 1% peak to peak |
| Line Regulation | ±0.5% maximum at full load. |
| Load Regulation | See table |
| Transient Response | Max. deviation 4% recovering to 1% within 500µs after 25% load charge |
| Overvoltage Protection | Provided on V1 only. Set at 110%–132% of nominal. |
| Overcurrent Protection | All outputs protected for short circuit conditions |
| Temperature Coefficient | All outputs ±0.04% per °C. |
| Holdup Time | Typically 20ms at 115Vac. |

OPERATING

| | |
|------------|--------------------|
| MTBF | 400,000 hrs @ 25°C |
| Efficiency | 65-70% minimum. |

ENVIRONMENTAL

| | |
|-----------------------|-----------------------|
| Operating Temperature | 0°C to 70°C |
| Derating | Derate to 50% at 70°C |
| Storage Temperature | -40°C to 85°C |
| Relative Humidity | 5%–95% non-condensing |

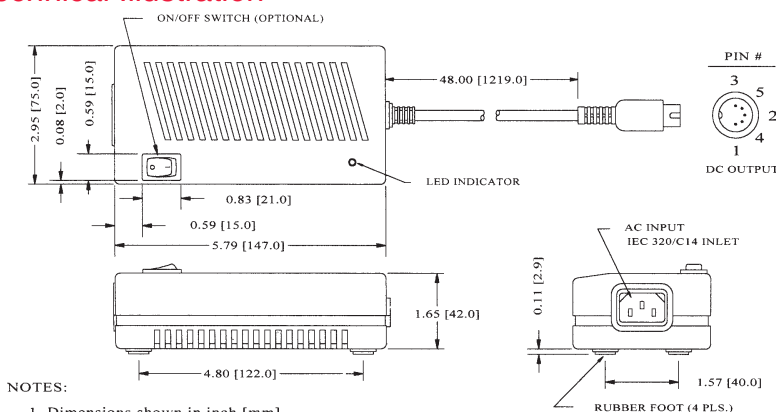
STANDARDS AND APPROVALS

| | |
|------------------|--|
| Safety standards | UL2601-1, CSA C22.2, TUV EN60601-1 |
| C-Tick | AS/NZS CISPR11 Group 1, Class A |
| EMC standards | EN60601-1-2: 2001, EN61000-3-2, -3, EN61000-4-2, -3, -4, -5, -6, -8, -11 |
| EMI standards | EN55011 Class B, FCC Class B, VCCI Class B |
| MEPS compliance | TBC |

MECHANICAL

| | |
|------------|-----------------|
| Dimensions | 147x75x42mm |
| Weight | 0.55kgs approx. |

Technical Illustration



PMP30 Series

25-30 WATTS SINGLE OUTPUT AC/DC MEDICAL

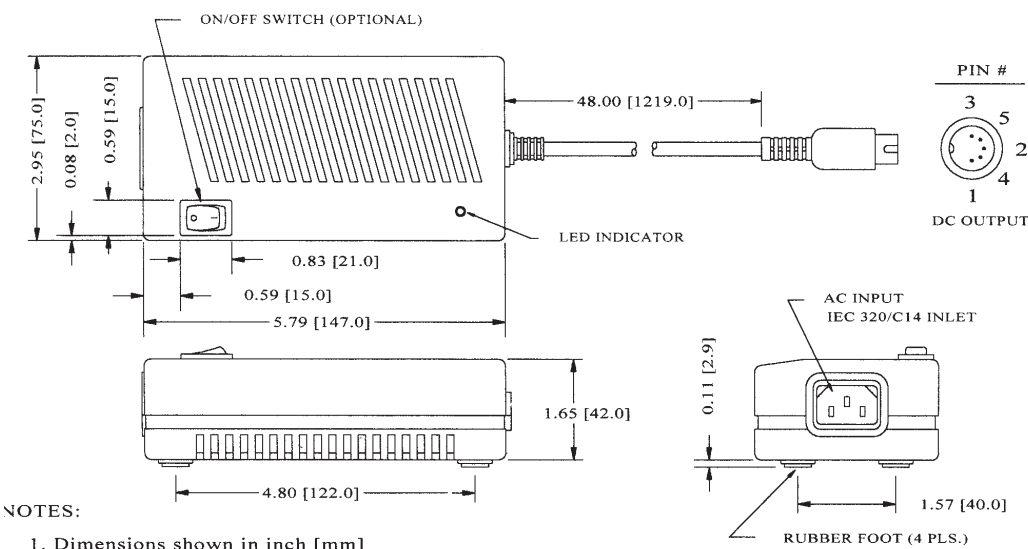
Selection Table

| MODEL NUMBER | VNOM | OUTPUT #1 | | | TOL | MAX. |
|--------------|--------|-----------|------|-------|-----|------|
| | | IMIN | IMAX | POWER | | |
| PMP30-10 | 5-6V | 0A | 5.0A | 5% | 25W | |
| PMP30-10-1 | 6-8V | 0A | 4.5A | 5% | 30W | |
| PMP30-11 | 9-11V | 0A | 3.4A | 2% | 30W | |
| PMP30-12 | 11-13V | 0A | 2.8A | 2% | 30W | |
| PMP30-13 | 13-17V | 0A | 2.4A | 2% | 30W | |
| PMP30-13-1 | 17-21V | 0A | 1.8A | 2% | 30W | |
| PMP30-14 | 21-27V | 0A | 1.5A | 2% | 30W | |
| PMP30-16 | 27-33V | 0A | 1.2A | 2% | 30W | |
| PMP30-17 | 33-39V | 0A | 1.0A | 2% | 30W | |
| PMP30-17 | 48V | 0A | 0.7A | 2% | 30W | |

Pin Chart

| MODEL/PIN | 1 | 2 | 3 | 4 | 5 |
|------------|--------|--------|--------|--------|--------|
| PMP30-10 | | | | | |
| PMP30-10-1 | | | | | |
| PMP30-11 | Return | Return | Output | Return | Output |
| PMP30-12 | | | | | |
| PMP30-13 | | | | | |

Technical Illustration



NOTES:

1. Dimensions shown in inch [mm]
2. Tolerance 0.02 [0.5] maximum
3. Weight: 0.55 Kgs (1.21 Lbs.) approx.
4. See pages 6-1 to 6-4 for optional output connectors. Add the suffix assigned for a selected connector to a wanted model number, e.g. PMP30-12-B1, for ordering.