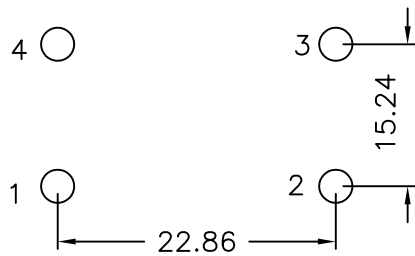
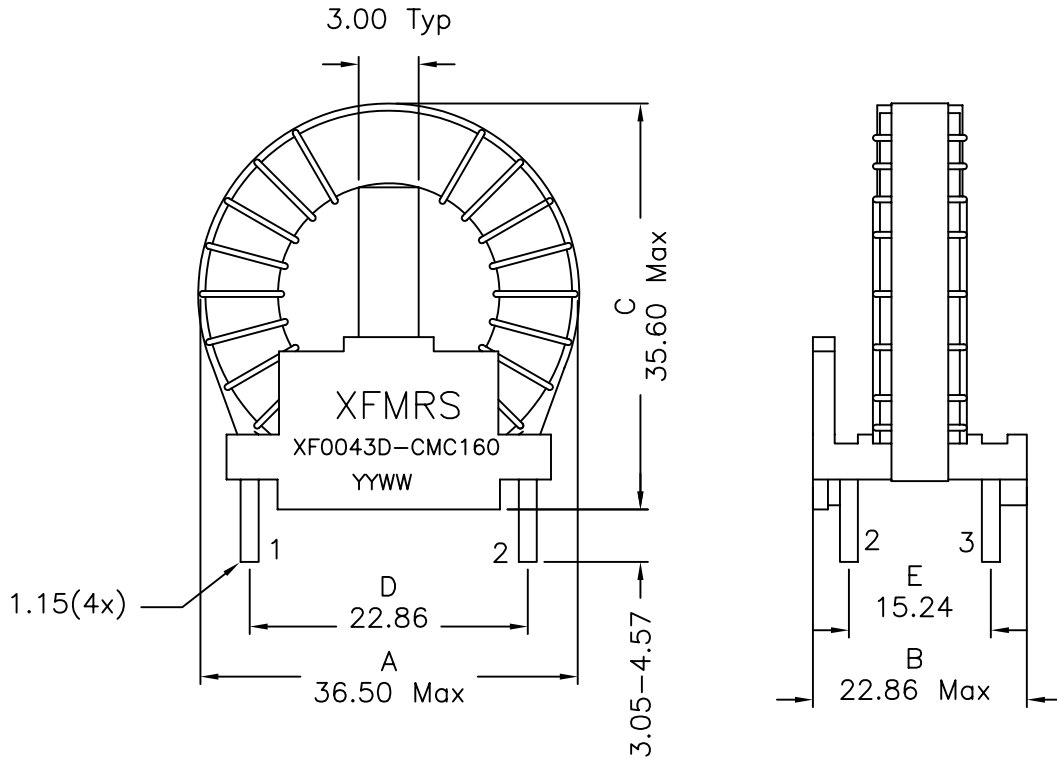
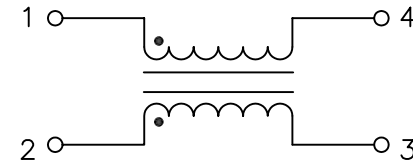


1. Mechanical Dimensions:



SUGGESTED FOOTPRINT

2. Schematic:



3. Electrical Specifications: @25°C

- OCL: 4.0mH Min @15.75KHz 0.1V, Each Wdg
- DCR: 0.026 Ohms Max, Each Wdg
- LL: 65uH Max @100KHz 0.1V, Short Pins 2-3
- Current Rating: 9.0Arms
- Isolation: 1250Vrms, Wdg to Wdg

Notes:

1. Solderability: Leads shall meet MIL-STD-202, Method 208D for solderability.
2. Flammability: UL94V-0
3. ASTM oxygen index: > 28%
4. Insulation System: Class F 155°C. UL file E151556
5. Operating Temperature Range: All listed parameters are to be within tolerance from -40°C to +85°C
6. Storage Temperature Range: -55°C to +125°C
7. Aqueous wash compatible
8. Electrical and mechanical specifications 100% tested
9. RoHS Compliant Component

DOC REV: A/5

XFMRS Inc		Title:	
UNLESS OTHERWISE SPECIFIED		Common Mode Choke	
UNLESS OTHERWISE SPECIFIED		P/N: XF0043D-CMC160	REV. A
TOLERANCES: .xx ±0.20		DWN.	Xiany
Dimensions in mm		CHK.	YK Liao
SHEET 1 OF 1		APP.	BW
			Mar-13-09
			Mar-13-09
			Mar-13-09