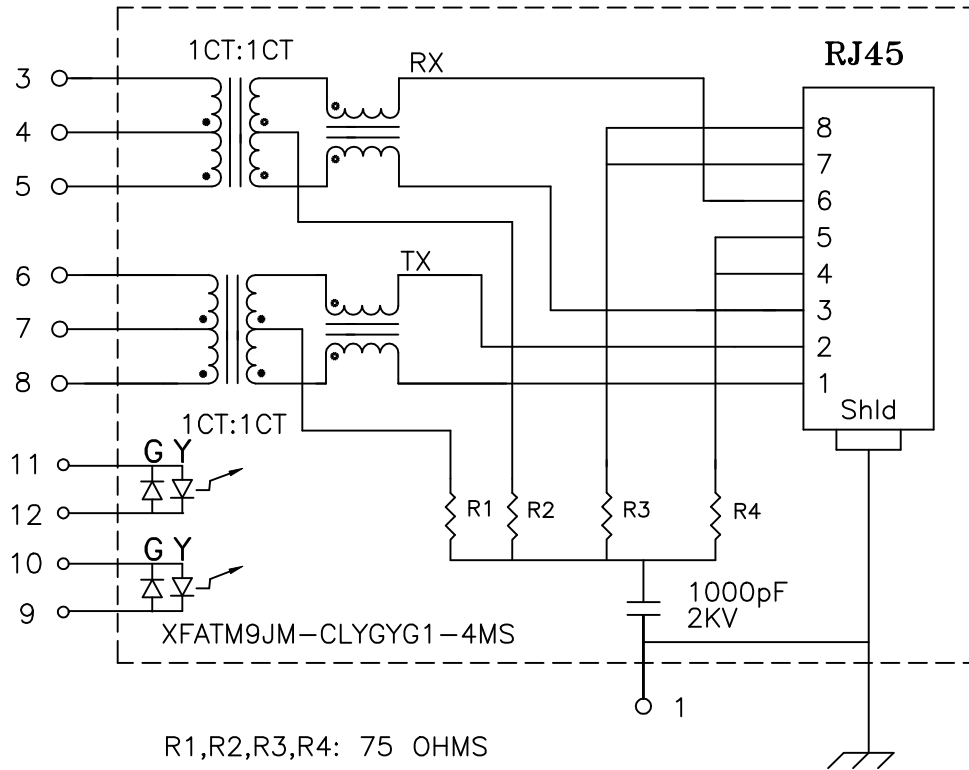


Schematic:



Electrical Specifications: @25°C

Isolation Voltage: 1500 Vrms (Input to Output)

Isolation Voltage: 500 Vrms (P1+2+3 to P4+5+6)

Turns Ratio: TX 1CT:1CT $\pm 3\%$ RX 1CT:1CT $\pm 3\%$

CABLE SIDE OCL: 350uH Minimum @100KHz 100mV 8mADC

Cw/w: 27pF Typical @100KHz 100mV

Insertion Loss (300KHz-100MHz): -1.0dB Minimum

Return Loss: @30MHz -18dB Minimum

@80MHz -12dB Minimum

Notes:

1. Solderability: Leads shall meet MIL-STD-202, Method 208D for solderability.
2. Flammability: UL94V-0
3. ASTM oxygen index: > 28%
4. Insulation System: Class F 155°C, UL file E151556
5. Operating Temperature Range: All listed parameters are to be within tolerance from 0°C to +70°C
6. Storage Temperature Range: -55°C to +125°C
7. Aqueous wash compatible

Complete the Combo P/N as follows:

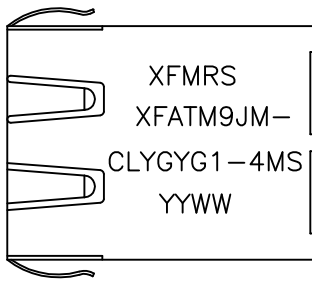
Replace 'x' & 'u' in the part number with one of the five LED color letters:

'x' = Left LED Color	Y=Yellow
'u' = Right LED Color	G=Green
	A=Amber
	R=Red
	YG=Yellow/Green Bicolor

DOC. REV: A/1

XFMRs Inc.	Title:		
	SINGLE PORT COMBO TAB DOWN		
UNLESS OTHERWISE SPECIFIED TOLERANCES: .xxx ± 0.010 Dimensions in Inch	P/N: XFATM9JM-CLYGYG1-4MS		REV. A
	DWN.	廖玉坤	Mar-21-03
SHEET 1 OF 2	CHK.	李清儿	Mar-21-03
	APP.	BW	Mar-21-03

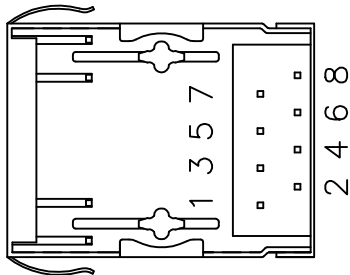
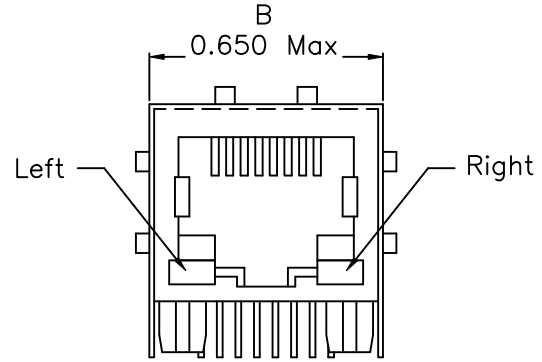
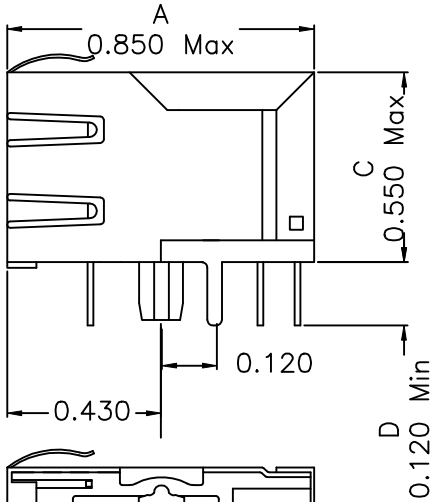
Mechanical Dimensions:



Complete the Combo P/N as follows:

Replace 'x' & 'u' in the part number with one of the five LED color letters:

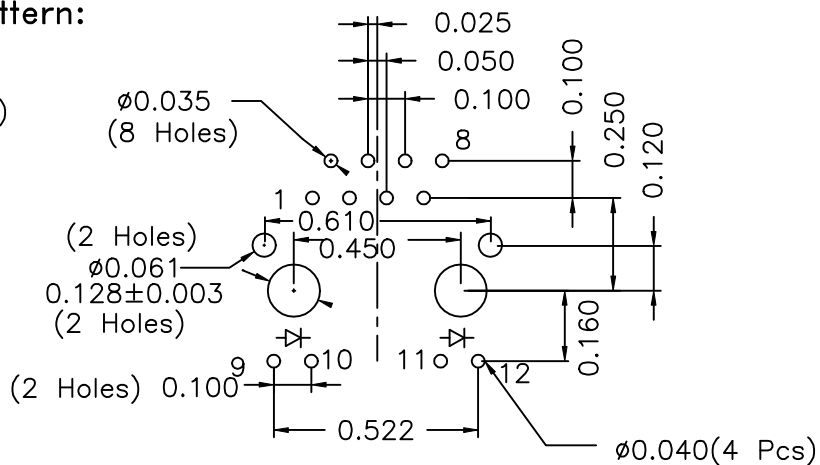
- 'x' = Left LED Color
- 'u' = Right LED Color
- Y=Yellow
- G=Green
- A=Amber
- R=Red
- YG=Yellow/Green Bicolor



(BOTTOM VIEW)

Mounting Pattern:

(COMP SIDE)



XFMRS Inc.		Title: Mechanical Dimensions For CLxu1-4MS Series	
UNLESS OTHERWISE SPECIFIED TOLERANCES: .xxx ±0.010 Dimensions in Inch	P/N: XFATM9JM-CLYGYG1-4MS	REV. A	
	DWN.	李小锋	Mar-21-03
	CHK.	廖玉坤	Mar-21-03
	APP.	BW	Mar-21-03

DOC. REV: A/1

SHEET 2 OF 2