



Flyback Transformers

For ON Semiconductor
NCP1200 Controller

These transformers have been specially developed for use in flyback power supplies with the ON Semiconductor NCP1200 PWM Current-Mode Controller. They are designed for universal input, 85 – 265 Vac.

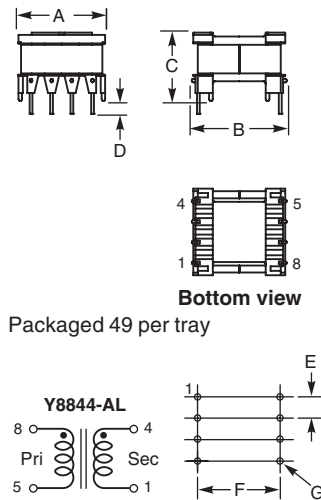
Coilcraft can also custom engineer a transformer to meet your specific requirements. For free evaluation samples, contact Coilcraft or visit www.coilcraft.com.

Application	Part number	Inductance ¹ ±10% (mH)	DCR max (Ohms)	Leakage inductance ² max (µH)	Isolation ³ (Vrms)	Turns ratio		Output	Weight (g)
						pri : sec	pri : aux		
3.5 W	Y8844-AL	2.9	4.25 (8-5) 0.07 (4-1)	80	1500	1 : 0.08	—	6.5 V, 0.54 A	6.7
10 W	Y8848-AL	1.8	1.77 (10-6) 0.038 (5-1)	60	2000	1 : 0.1	—	12 V, 0.83 A	16
70 W	Z9007-BL	0.7	0.261 (12-7) 0.013 (6-1) 0.013 (4-3)	16	1500	1 : 0.16 ⁴	—	16 V, 4.2 A	52
70 W with Auxiliary winding	Z9260-AL	0.7	0.261 (12-7) 0.013 (6-1) 0.013 (4-3) 0.045 (11-8)	26	2000	1 : 0.16 ⁴	1 : 0.15	16 V, 4.2 A(sec) 15 V, 0.2 A (aux)	54

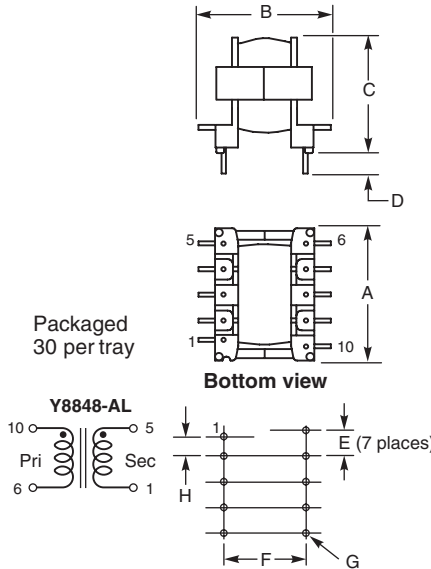
1. Inductance is for the primary, measured at 10 kHz, 0.1 Vrms, 0 Adc
2. Leakage inductance tested at 100 kHz, 0.1 Vrms
3. Isolation tested between primary and secondary on all parts and between primary and auxiliary on Z9260-AL.

4. Primary to secondary turns ratio specified with secondary windings connected in parallel.
5. Operating temperature range -40°C to +85°C.
6. Electrical specifications at 25°C.

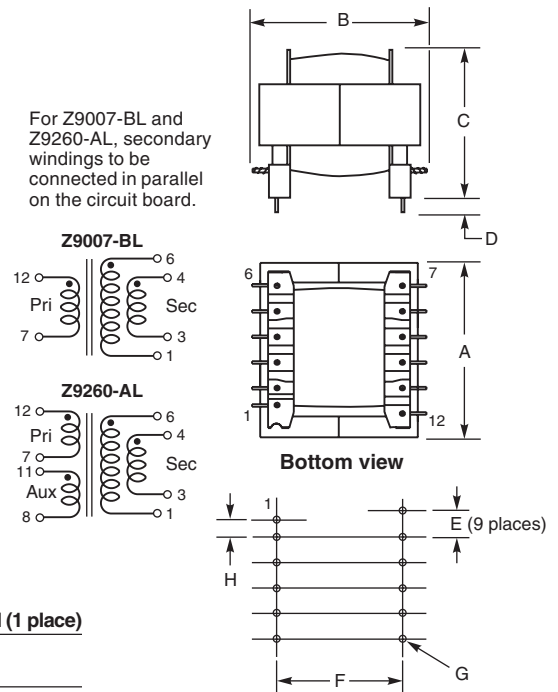
Y8844-AL



Y8848-AL



Z9007-BL, Z9260-AL



	A max	B max	C max	D min	E	F	G dia	H (1 place)
Y8844-A	0.72 18,3	0.79 20,1	0.55 14,0	0.118 3,0	0.150 3,81	0.600 15,24	0.030 0,76	
Y8848-A	1.10 27,9	1.10 27,9	0.95 24,1	0.12 3,05	0.200 5,08	0.620 15,75	0.044 1,12	0.150 3,81
Z9007-B, Z9260-A	1.45 36,8	1.45 36,8	1.17 29,7	0.12 3,05	0.200 5,08	0.875 22,2	0.044 1,12	0.150 3,81

Packaged 25 per tray

Terminations: Tin-silver over tin over copper



Specifications subject to change without notice.
Please check our website for latest information.

Document 245 Revised 01/31/05

1102 Silver Lake Road Cary, Illinois 60013 Phone 847/639-6400 Fax 847/639-1469

E-mail info@coilcraft.com Web <http://www.coilcraft.com>