

Silicon PNP Power Transistors

2SB1085A

DESCRIPTION

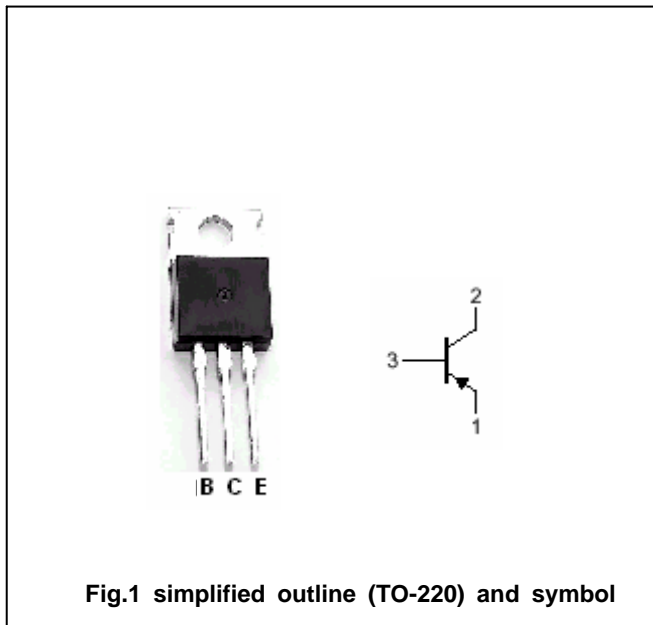
- With TO-220 package
- Complement to type 2SD1562A
- Low collector saturation voltage

APPLICATIONS

- Designed for use in low frequency power amplifier applications

PINNING

PIN	DESCRIPTION
1	Emitter
2	Collector;connected to mounting base
3	Base



Absolute maximum ratings(Ta=25)

SYMBOL	PARAMETER	CONDITIONS	VALUE	UNIT
V_{CBO}	Collector-base voltage	Open emitter	-160	V
V_{CEO}	Collector-emitter voltage	Open base	-160	V
V_{EBO}	Emitter-base voltage	Open collector	-5	V
I_C	Collector current		-1.5	A
I_{CM}	Collector current-peak		-3.0	A
P_C	Collector power dissipation	$T_C=25$	20	W
T_j	Junction temperature		150	
T_{stg}	Storage temperature		-55~150	

Silicon PNP Power Transistors

2SB1085A

CHARACTERISTICS

T_j=25 unless otherwise specified

SYMBOL	PARAMETER	CONDITIONS	MIN	TYP.	MAX	UNIT
V _{(BR)CEO}	Collector-emitter breakdown voltage	I _C =-1mA, I _B =0	-160			V
V _{(BR)CBO}	Collector-base breakdown voltage	I _C =-50 μA, I _E =0	-160			V
V _{(BR)EBO}	Emitter-base breakdown voltage	I _E =-50 μA, I _C =0	-5			V
V _{CEsat}	Collector-emitter saturation voltage	I _C =-1A; I _B =-0.1A			-2.0	V
V _{BEsat}	Base-emitter saturation voltage	I _C =-1A; I _B =-0.1A			-1.5	V
I _{CBO}	Collector cut-off current	V _{CB} =-120V; I _E =0			-1.0	μA
I _{EBO}	Emitter cut-off current	V _{EB} =-4V; I _C =0			-1.0	μA
h _{FE}	DC current gain	I _C =-0.1A; V _{CE} =-5V	60		200	
C _{OB}	Output capacitance	I _E =0; V _{CB} =-10V, f=1MHz		30		pF
f _T	Transition frequency	I _C =-0.1A; V _{CE} =-5V		50		MHz

◆ h_{FE} classifications

D	E
60-120	100-200

Silicon PNP Power Transistors

2SB1085A

PACKAGE OUTLINE

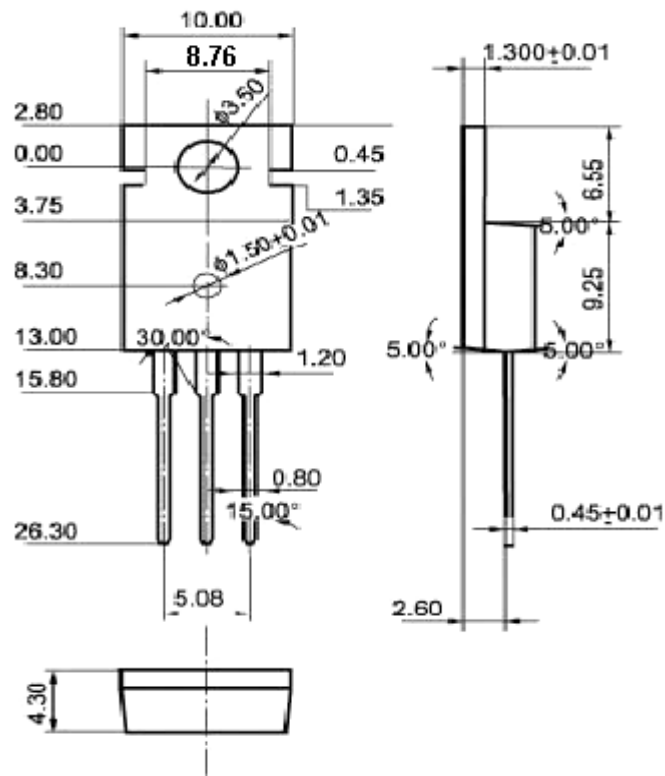


Fig.2 Outline dimensions(unindicated tolerance: ± 0.10 mm)